



Excellent Integrated System Limited

Stocking Distributor

Click to view price, real time Inventory, Delivery & Lifecycle Information:

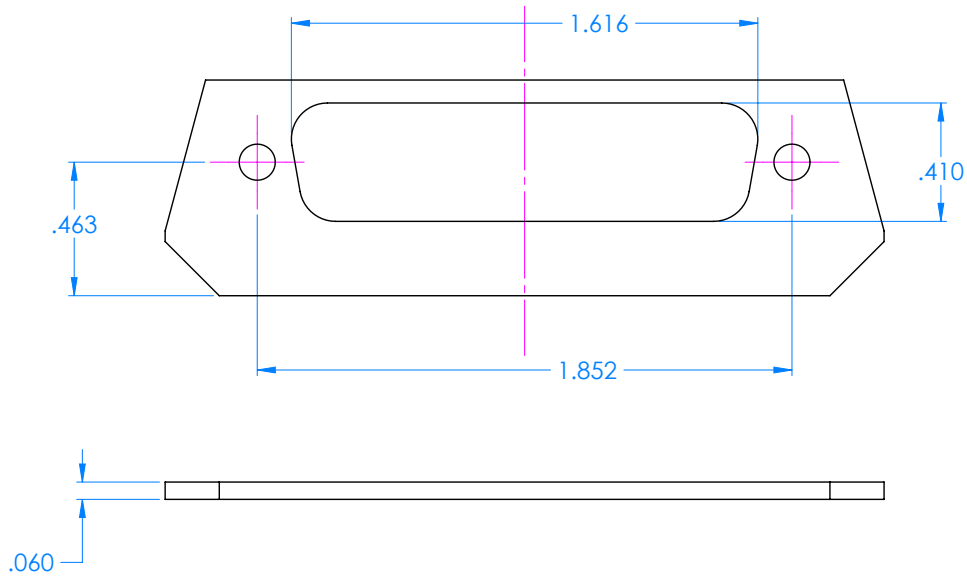
[Serpac Electronic Enclosures
2003DB25](#)

For any questions, you can email us directly:

sales@integrated-circuit.com

SERPAC 2003, DB25 for A20

Electronic Enclosures



NOTES:

Cutout located to accept a D-sub standard surface mount DB25 connector (male or female) using a .065" thick circuit board.

ALL DIMENSIONS ARE $\pm .010"$ 9/14/11
2009 Wright Ave. Covina, CA 91750
Ph. (626) 331-0517 Fx. (626) 331-8584 serpac.com