

Excellent Integrated System Limited

Stocking Distributor

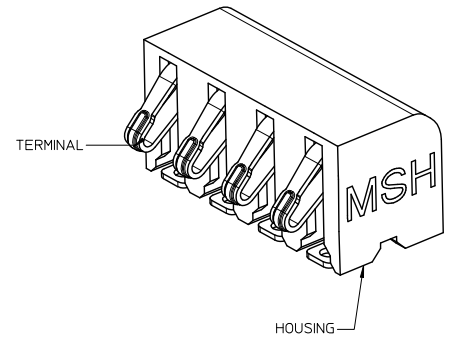
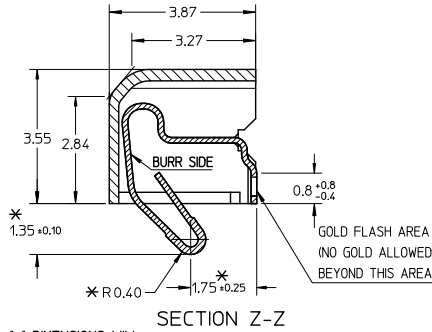
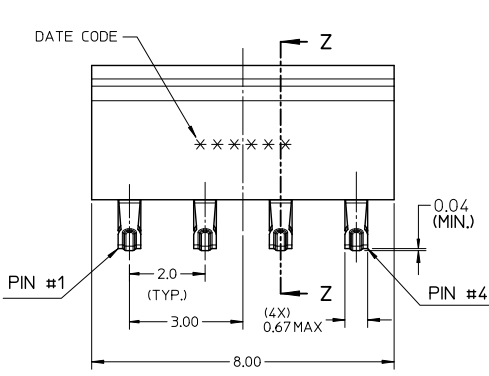
Click to view price, real time Inventory, Delivery & Lifecycle Information:

[Molex Connector Corporation](#)
[0476150001](#)

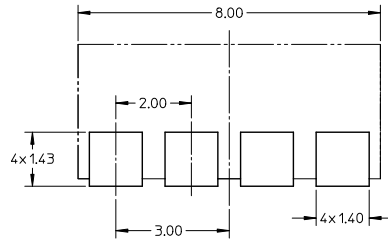
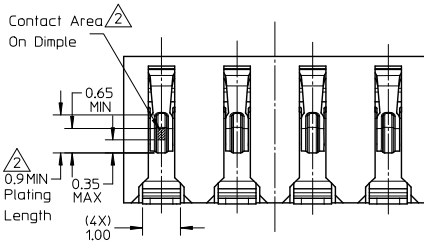
For any questions, you can email us directly:

sales@integrated-circuit.com

10 9 8 7 6 5 4 3 2 1



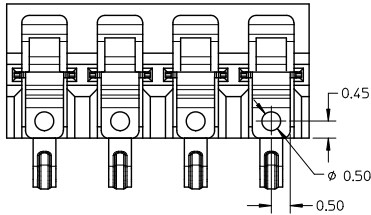
* DIMENSIONS WILL BE REPORTED ON PIN#1 AND PIN#4 ONLY



RECOMMENDED PCB LAYOUT (DEFAULT TOLERANCE: ±0.05)

NOTE:

1. MATERIAL:
HOUSING: LCP, 30% GLASS-FILLED, UL 94V-0, COLOR IS BLACK
TERMINAL: COPPER ALLOY, 0.15 MM BeCu C17200 290 TM06.
2. FINISH:
CONTACT AREA ON DIMPLE: 30 MICRO INCHES MIN GOLD PLATING OVER 50 MICRO INCHES MINI NICKEL.
GOLD FLASH ON PLATING LENGTH
SOLDER AREA: GOLD FLASH OVER 50 MICRO MINI INCHES NICKEL
REST AREA: 50 MICRO INCHES MINI NICKEL
3. RECOMMENDED WORKING RANGE 1.05 ~ 0.55 MM.
4. COPLANARITY: 0.08 MAX AMONG THESE SOLDER TAILS.
5. PRODUCT SPECIFICATION: PS-47615-001.
6. DATE CODE: ** ** ** (6 DIGITS)
DAY
MONTH
YEAR



| | | | | | | |
|--|-----------------|--|-----------------|--------------|---|---|
| REVISED EC NO. S2011-0795 DRWN: SHONG CHKD: LING APPR: NAUGESHIN 2011/04/11 2011/04/17 2011/04/27 | QUALITY SYMBOLS | GENERAL TOLERANCES (UNLESS SPECIFIED) | DIMENSION STYLE | SCALE | DESIGN UNITS | THIRD ANGLE PROJECTION |
| | ▼=0 ▽=0 | mm INCH 4 PLACES ± --- ± --- 3 PLACES ± --- ± --- 2 PLACES ± 0.15 ± --- 1 PLACE ± 0.25 ± --- ANGULAR ± ---° | MM ONLY | 10:1 | METRIC | DRAWN BY DATE YLZHU02 2007/5/17 CHECKED BY DATE XIXU 2007/5/17 APPROVED BY DATE HWWANG 2007/5/17 |
| | | DRAFT WHERE APPLICABLE MUST REMAIN WITHIN DIMENSIONS | MATERIAL NO. | DOCUMENT NO. | SALES DRAWING 4 CKTS BATTERY CONNECTOR MOLEX INCORPORATED | |
| | | | 476150001 | SD-47615-001 | SHEET NO. 1 OF 1 | |

9 8 7 6 5 4 3 2 1