

Excellent Integrated System Limited

Stocking Distributor

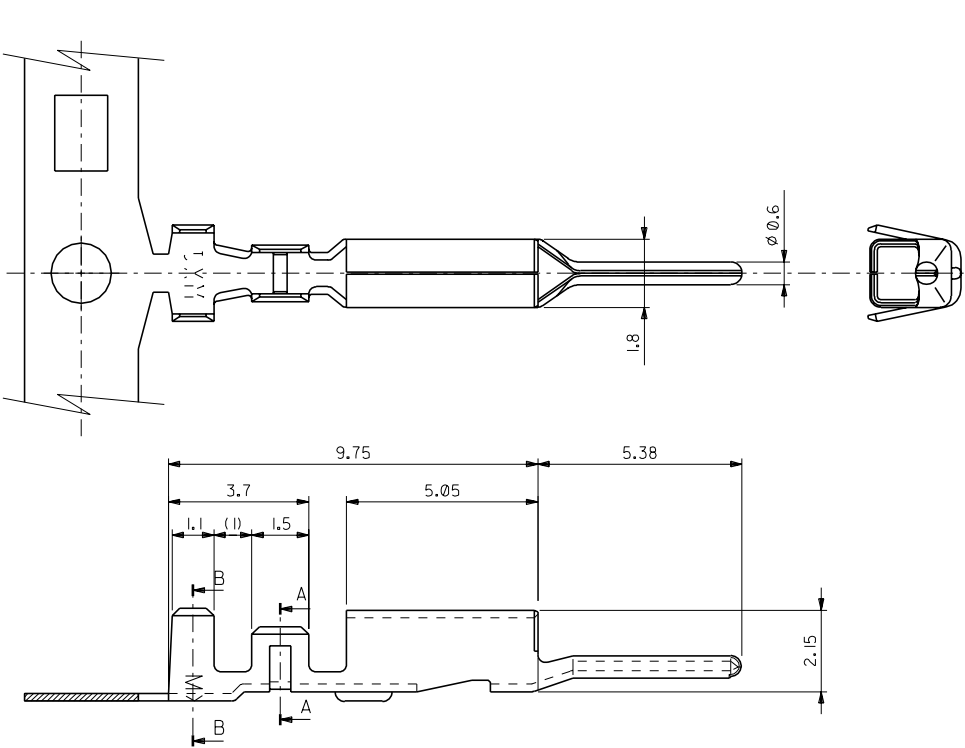
Click to view price, real time Inventory, Delivery & Lifecycle Information:

[Molex Connector Corporation](#)
[0508378000](#)

For any questions, you can email us directly:

sales@integrated-circuit.com

DWG. NO. SD-50837-002



注記
NOTE.

I. 適合ハウジング : 51198-***00
APPLICABLE HOUSING

50837-8100	バラ状 LOOSE
50837-8000	連鎖状 CHAIN
製品番号 MATERIAL NO.	端子形状 FORM
DIMENSIONS:	
<input type="checkbox"/> mm	<input type="checkbox"/> INCH
<input type="checkbox"/> mm	<input type="checkbox"/> INCH
<input checked="" type="checkbox"/> mm ONLY	<input type="checkbox"/> INCH ONLY
SHT	REV
REVISE ON CAD ONLY	

DO NOT SCALE DRAWING

EC NO. DRWN: CHK: APPR:	EC NO. DRWN: CHK: APPR:	EC NO. DRWN: CHK: APPR:	EC NO. DRWN: CHK: APPR:	EC NO. DRWN: CHK: APPR:	新編作成 PROPOSED EC NO. JD90189 DRWN: M. YAGI '98/08/05 CHK: Y. ITO APPR: H. IKESUGI	MATERIAL 材料 りん青銅 スズメッキ (t=0.2) PRE-TINNED PHOSPHOR BRONZE (t=0.2) FINISH 仕上げ	GENERAL TOLERANCES: (UNLESS SPECIFIED) 一般公差	SCALE 10-1	DESIGN UNITS <input checked="" type="checkbox"/> mm <input type="checkbox"/> INCH	THIRD ANGLE PROJECTION	DRAWN BY & DATE 98/05/14	CHECKED BY & DATE Y. ITO	APPROVED BY & DATE H. IKESUGI	CAD FILE NAME 50837002.S01	TITLE: 2.5 WIRE TO BOARD CONN. CRIMP PIN	MATERIAL NO. SEE CHART	DRAWING NO. SD-50837-002	SHEET NO. 1 OF 1
8	7	6	5	4	3	2	1											

THIS DRAWING CONTAINS INFORMATION THAT IS PROPRIETARY TO MOLEX INCORPORATED AND SHOULD NOT BE USED WITHOUT WRITTEN PERMISSION.