

Excellent Integrated System Limited

Stocking Distributor

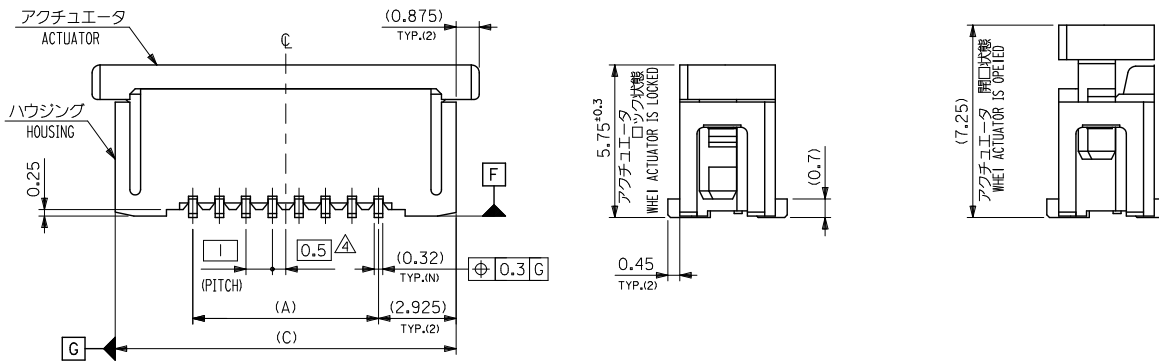
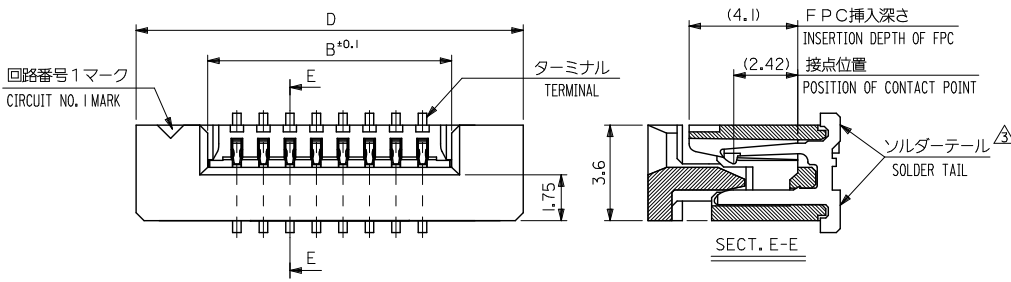
Click to view price, real time Inventory, Delivery & Lifecycle Information:

[Molex Connector Corporation](#)
[0526100872](#)

For any questions, you can email us directly:

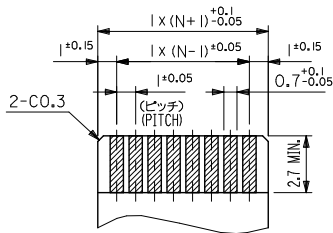
sales@integrated-circuit.com

10 9 8 7 6 5 4 3 2 1

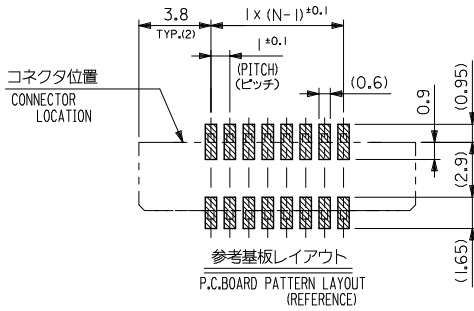


REVISED EC NO. J2012-0856 DRAWN BY DRANKI YAHARA 2012/01/05 CHKD BY CHIKAMI YAHARA 2012/01/05 APPR. BY KORIKAWA 2012/02/07	GENERAL TOLERANCES (UNLESS SPECIFIED)		DIMENSION STYLE MM ONLY	SCALE ---	52610-***15	MODEL NO.
	10 UNDER	± 0.2	DRAWN BY M. NABEI	DATE '05/07/21	DESIGN UNITS METRIC	THIRD ANGLE PROJECTION
	10 OVER 30 UNDER	± 0.25	CHECKED BY K. TOYODA	DATE '05/07/21	1.0 FPC CONN ZIF FOR SMT ST -LEAD FREE-	
	30 OVER	± 0.3	APPROVED BY N. UKITA	DATE '05/07/21	MOLEX INCORPORATED	
G	ANGULAR	± 3 °	MATERIAL NO.	SEE TABLE	DOCUMENT NO.	SD-52610-036
	DRAFT WHERE APPLICABLE MUST REMAIN WITHIN DIMENSIONS		SIZE A3	THIS DRAWING CONTAINS INFORMATION THAT IS PROPRIETARY TO MOLEX INCORPORATED AND SHOULD NOT BE USED WITHOUT WRITTEN PERMISSION		

10 9 8 7 6 5 4 3 2 1



適合 FPC 推奨寸法
APPLICABLE FPC RECOMMENDED DIM.
仕上がり厚さ(THICKNESS): 0.3+0.05



注記 (NOTES):

1. 材料 (MATERIAL)

ハウジング (HOUSING): 46NYLON, UL94V-0
アクチュエータ (ACTUATOR): PPS, UL94V-0
ターミナル (TERMINAL): リン青銅 (±0.32)

PHOS-BRO

接点部: 金メッキ 0.1µm 以上

テール部: 錫メッキ 1µm 以上

下地: ニッケルメッキ 1µm 以上

CONTACT: GOLD 0.1 MICROMETER MINIMUM

TAIL: MATTE TIN 1 MICROMETER MINIMUM

NICKEL: UNDER 1 MICROMETER MINIMUM

2. エンボステープ梱包時は、アクチュエータがロックした状態とする。
IN THE PACKAGE, ACTUATOR OF PART NO. 52610-**-59 SHOULD BE LOCKED.

3. ソルダータール半田付け面のズレ量は、基準面 [F] に対し上方向 0.05 MAX.,
下方向 0.15 MAX. とする。
MISALIGNMENT OF SOLDER TAILS FROM [F] UPPER DIRECTION: 0.05 MAX.,
LOWER DIRECTION: 0.15 MAX.

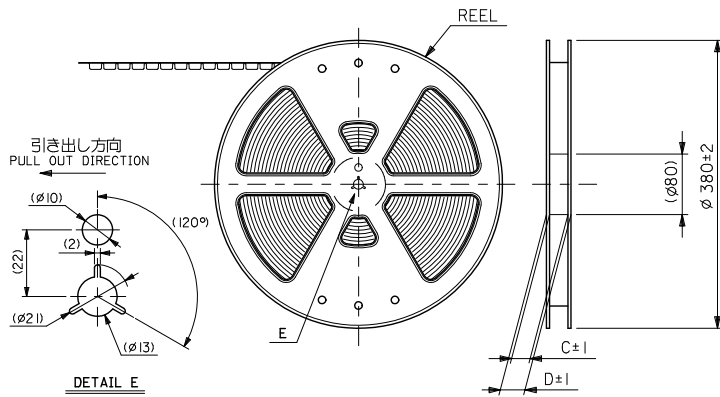
△ 偶数極に適用。
APPLY FOR EVEN CIRCUIT.

5. 本製品は 52610 シリーズの接点金メッキ品である。
THIS PRODUCT IS Au-CONTACT OF 52610 SERIES.

36.6	34.85	31.2	29	52610-3072	52610-3015	30
32.6	30.85	27.2	25	52610-2672	52610-2615	26
31.6	29.85	26.2	24	52610-2572	52610-2515	25
30.6	28.85	25.2	23	52610-2472	52610-2415	24
28.6	26.85	23.2	21	52610-2272	52610-2215	22
26.6	24.85	21.2	19	52610-2072	52610-2015	20
25.6	23.85	20.2	18	52610-1972	52610-1915	19
24.6	22.85	19.2	17	52610-1872	52610-1815	18
23.6	21.85	18.2	16	52610-1772	52610-1715	17
22.6	20.85	17.2	15	52610-1672	52610-1615	16
21.6	19.85	16.2	14	52610-1572	52610-1515	15
20.6	18.85	15.2	13	52610-1472	52610-1415	14
19.6	17.85	14.2	12	52610-1372	52610-1315	13
18.6	16.85	13.2	11	52610-1272	52610-1215	12
17.6	15.85	12.2	10	52610-1172	52610-1115	11
16.6	14.85	11.2	9	52610-1072	52610-1015	10
15.6	13.85	10.2	8	52610-0972	52610-0915	9
14.6	12.85	9.2	7	52610-0872	52610-0815	8
12.6	10.85	7.2	5	52610-0672	52610-0615	6
11.6	9.85	6.2	4	52610-0572	52610-0515	5

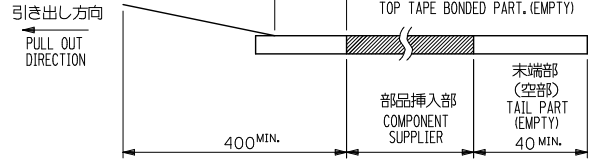
REVISED	EC NO. J2012-0856	DRAWN BY M. NABEI	DATE '05/07/21	TITLE 1.0 FPC CONN ZIF FOR SMT ST -LEAD FREE-	SCALE	DESIGN UNITS METRIC	THIRD ANGLE PROJECTION	52610-**-15	D	(C)	B	(A)	EMBOSSED TAPE	MATERIAL. NO.	極数 CKT.
								MODEL NO.	GENERAL TOLERANCES (UNLESS SPECIFIED)				DIMENSION STYLE MM ONLY		ORDER No. ナーダ番号
		10 UNDER	±0.2												
		10 OVER 30 UNDER	±0.25												
		30 OVER	±0.3												
		ANGULAR	±3 °												
		DRAFT WHERE APPLICABLE MUST REMAIN WITHIN DIMENSIONS													
		SEE TABLE													
		THIS DRAWING CONTAINS INFORMATION THAT IS PROPRIETARY TO MOLEX INCORPORATED AND SHOULD NOT BE USED WITHOUT WRITTEN PERMISSION													

10 9 8 7 6 5 4 3 2 1



NOTES

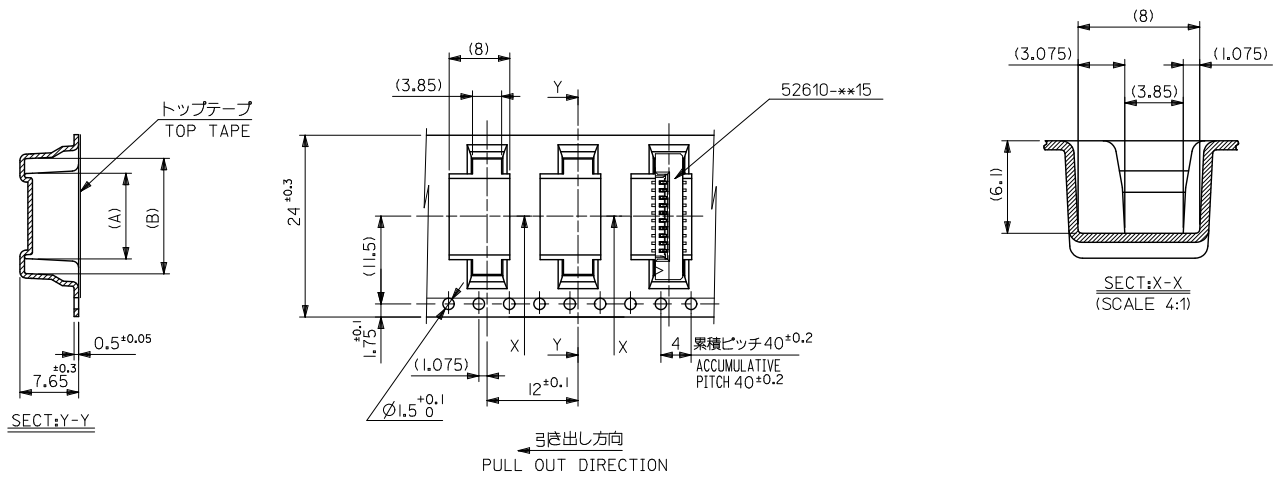
1. 梱包数量：1000個/リール
NUMBER OF CONNECTORS : 1000PCS/REEL
2. リードテープ長さ LEAD TAPE LENGTH
20PCS. MIN. トップテープ接着部 (空エンボス)
TOP TAPE BONDED PART (EMPTY)
部品挿入部 COMPONENT SUPPLIER
末端部 (空部) TAIL PART (EMPTY) 40 MIN.
3. 52610-***15 のアクチュエータはハウジング内に押し下げた状態とする。
詳細寸法については図面 SD-52610-036 を参照下さい。
ACTUATOR OF PART NO. 52610-***15 SHOULD BE LOCKED.
RE DETAILED DIMENSIONS , SEE SD-52610-036.
4. 材料 (MATERIAL)
キャリアテープ (CARRIER TAPE) : ポリプロピレン (POLYPROPYLENE)
トップテープ (TOP TAPE) : PET , PE , PEF
リール (REEL) : ポリスチレン (PS) <リサイクル材を含む>
POLYSTYRENE (PS) <RECYCLE MATERIAL CONTAINED>
5. 本製品は 52610 シリーズの接点金メッキ品である。
THIS PRODUCT IS Au-CONTACT OF 52610 SERIES.
6. 本製品は乾燥剤入り、ハイバリア梱包仕様である。
THIS PRODUCT IS HIGH BARRIER PACKAGE WITH DESICCANT.



REVISED EC NO. J2012-0856 DRAWN BY YAHARA 2012/01/05 CHECKED BY CHIKOKIYAKASHI 2012/01/05 APPROVED BY MORIKAWA 2012/02/07	GENERAL TOLERANCES (UNLESS SPECIFIED)		DIMENSION STYLE MM ONLY	SCALE ---	52610-***72 DESIGN UNITS METRIC	MODEL NO. THIRD ANGLE PROJECTION
	10 UNDER	± 0.2	DRAWN BY M. NABEI	DATE '05/07/21	1.0 FPC CONN SMT ZIF EMBSTP PKG -LEAD FREE-	
	10 OVER 30 UNDER	± 0.25	CHECKED BY K. TOYODA	DATE '05/07/21		
	30 OVER	± 0.3	APPROVED BY N. UKITA	DATE '05/07/21	MOLEX INCORPORATED	
ANGULAR	± 3 °	MATERIAL NO. SEE TABLE	DOCUMENT NO. SD-52610-037	SHEET NO. 1 OF 5		
DRAFT WHERE APPLICABLE MUST REMAIN WITHIN DIMENSIONS		THIS DRAWING CONTAINS INFORMATION THAT IS PROPRIETARY TO MOLEX INCORPORATED AND SHOULD NOT BE USED WITHOUT WRITTEN PERMISSION				

9 8 7 6 5 4 3 2 1 EN-02JA(021)

10 9 8 7 6 5 4 3 2 1

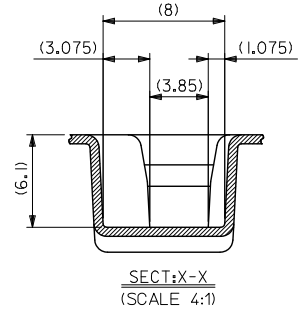
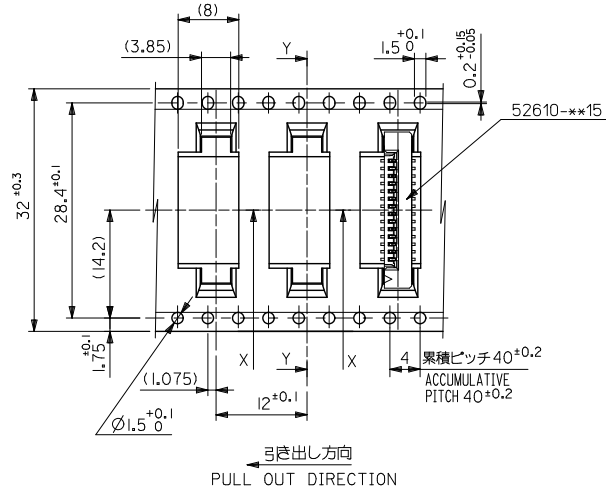
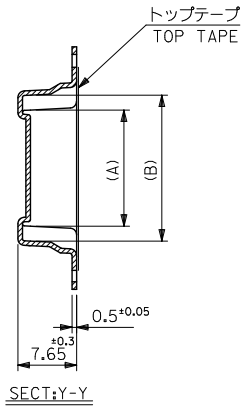


52610-**-72
MODEL NO.

24	29.4	25.4	15.25	11.32	52610-1072	10
			14.25	10.32	52610-0972	9
			13.25	9.32	52610-0872	8
			11.25	7.32	52610-0672	6
			10.25	6.32	52610-0572	5

REVISED	EC NO. J2012-0856 DRAWN BY T. YAHARA 2012/01/05 CHECKED BY CHIKDKTAKASHI 2012/01/05 APPROVED BY MORIKAWA 2012/02/07	GENERAL TOLERANCES (UNLESS SPECIFIED)		DIMENSION STYLE		SCALE	DESIGN UNITS	THIRD ANGLE PROJECTION		
		10 UNDER	± 0.2	MM ONLY		---	METRIC	☉ □		
		10 OVER 30 UNDER	± 0.25	DRAWN BY DATE		TITLE				
		30 OVER	± 0.3	M. NABEI '05/07/21		1.0 FPC CONN SMT ZIF EMBSTP PKG -LEAD FREE-				
		ANGULAR	± 3 °	CHECKED BY DATE		MOLEX INCORPORATED				
DRAFT WHERE APPLICABLE MUST REMAIN WITHIN DIMENSIONS			APPROVED BY DATE		MATERIAL NO.		DOCUMENT NO.		SHEET NO.	
			N. UKITA '05/07/21		SEE TABLE		SD-52610-037		2 OF 5	
THIS DRAWING CONTAINS INFORMATION THAT IS PROPRIETARY TO MOLEX INCORPORATED AND SHOULD NOT BE USED WITHOUT WRITTEN PERMISSION										

10 9 8 7 6 5 4 3 2 1

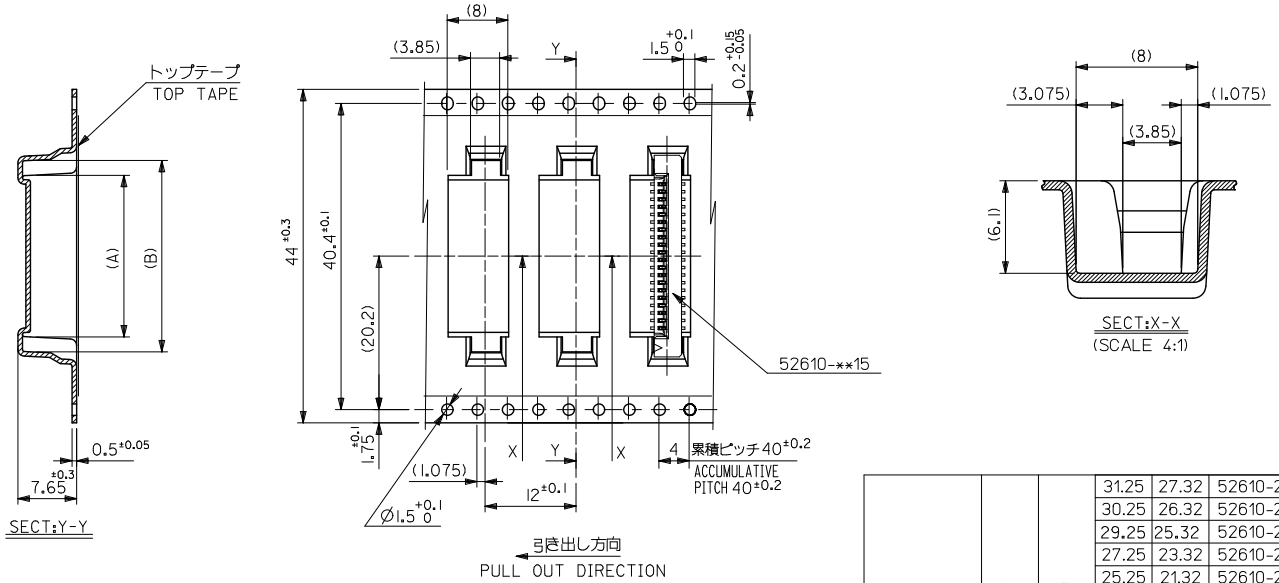


52610-**-72
MODEL NO.

32	37.4	33.4	20.25	16.32	52610-1572	15
			19.25	15.32	52610-1472	14
			18.25	14.32	52610-1372	13
			17.25	13.32	52610-1272	12
			16.25	12.32	52610-1172	11
			(B)	(A)	MATERIAL. NO.	種数 CKT.

REVISED	EC NO. J2012-0856 DRAWN BY M. NABEI CHECKED BY K. TOYODA APPROVED BY N. UKITA	DESCRIPTION 2012/01/05 2012/01/05 2012/02/07	GENERAL TOLERANCES (UNLESS SPECIFIED)		DIMENSION STYLE	SCALE	DESIGN UNITS	THIRD ANGLE PROJECTION	
			10 UNDER	± 0.2	MM ONLY	---	METRIC	☉ □	
			10 OVER 30 UNDER	± 0.25	DRAWN BY DATE	TITLE			
			30 OVER	± 0.3	M. NABEI '05/07/21	1.0 FPC CONN SMT ZIF EMBSTP PKG -LEAD FREE-			
			ANGULAR	± 3 °	CHECKED BY DATE	MOLEX INCORPORATED			
DRAFT WHERE APPLICABLE MUST REMAIN WITHIN DIMENSIONS			SEE TABLE		MATERIAL NO.	DOCUMENT NO.	SHEET NO.		
			SIZE A3		THIS DRAWING CONTAINS INFORMATION THAT IS PROPRIETARY TO MOLEX INCORPORATED AND SHOULD NOT BE USED WITHOUT WRITTEN PERMISSION			3 OF 5	

10 9 8 7 6 5 4 3 2 1

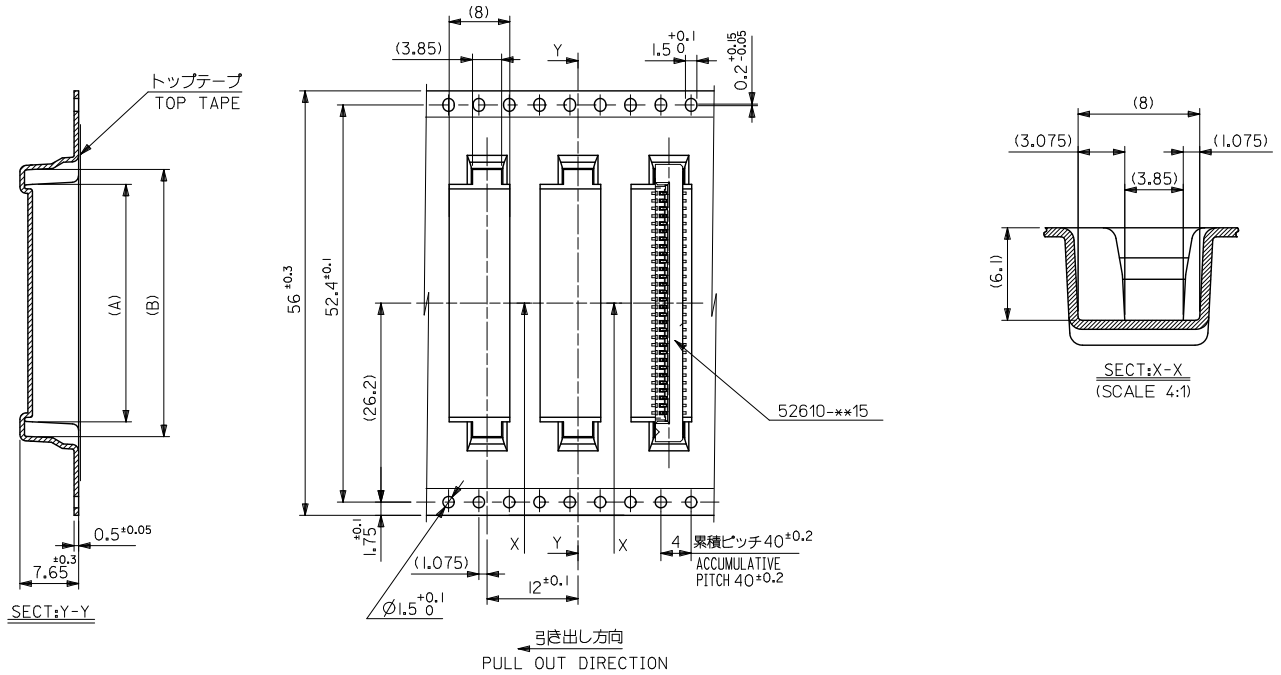


44	49.4	45.4	31.25	27.32	52610-2672	26
			30.25	26.32	52610-2572	25
			29.25	25.32	52610-2472	24
			27.25	23.32	52610-2272	22
			25.25	21.32	52610-2072	20
			24.25	20.32	52610-1972	19
			23.25	19.32	52610-1872	18
			22.25	18.32	52610-1772	17
			21.25	17.32	52610-1672	16

52610-**-72	キャリアテープ幅 CARRIER TAPE WIDTH	D	C	(B)	(A)	MATERIAL NO.	種数 CKT.
MODEL NO.	DIMENSION STYLE	SCALE	DESIGN UNITS	THIRD ANGLE PROJECTION			
	MM ONLY	---	METRIC				

REVISED EC NO. J2012-0856 DRAWN BY M. NABEI CHKD: K. TOYODA APPR: MORIKAWA	DESCRIPTION	GENERAL TOLERANCES (UNLESS SPECIFIED)	DRAWN BY DATE	TITLE
	2012/01/05	10 UNDER ± 0.2	M. NABEI '05/07/21	1.0 FPC CONN SMT ZIF EMBOSTP PKG -LEAD FREE-
	2012/02/07	10 OVER 30 UNDER ± 0.25	K. TOYODA '05/07/21	
		30 OVER ± 0.3	N. UKITA '05/07/21	MOLEX INCORPORATED
		ANGULAR ± 3 °	MATERIAL NO. SEE TABLE	DOCUMENT NO. SD-52610-037
	DRAFT WHERE APPLICABLE MUST REMAIN WITHIN DIMENSIONS	SIZE A3	THIS DRAWING CONTAINS INFORMATION THAT IS PROPRIETARY TO MOLEX INCORPORATED AND SHOULD NOT BE USED WITHOUT WRITTEN PERMISSION	

10 9 8 7 6 5 4 3 2 1



52610-***72	56	61.4	57.4	35.25	31.32	52610-3072	30
MODEL NO.	キャリアテープ幅 CARRIER TAPE WIDTH	D	C	(B)	(A)	MATERIAL NO.	種数 CKT.
GENERAL TOLERANCES (UNLESS SPECIFIED)		DIMENSION STYLE MM ONLY		SCALE ---	DESIGN UNITS METRIC	THIRD ANGLE PROJECTION	
10 UNDER	± 0.2	DRAWN BY M. NABEI		DATE '05/07/21		TITLE 1.0 FPC CONN SMT ZIF EMBSTP PKG -LEAD FREE-	
10 OVER 30 UNDER	± 0.25	CHECKED BY K. TOYODA		DATE '05/07/21		MOLEX INCORPORATED	
30 OVER	± 0.3	APPROVED BY N. UKITA		DATE '05/07/21		DOCUMENT NO. SD-52610-037	
ANGULAR	± 3 °	MATERIAL NO.		SEE TABLE		SHEET NO. 5 OF 5	
DRAFT WHERE APPLICABLE MUST REMAIN WITHIN DIMENSIONS		THIS DRAWING CONTAINS INFORMATION THAT IS PROPRIETARY TO MOLEX INCORPORATED AND SHOULD NOT BE USED WITHOUT WRITTEN PERMISSION					