



Distributor of Molex Connector Corporation: Excellent Integrated System Limited
Datasheet of 0548191572 - Connector Receptacle USB - mini B 2.0 OTG 5 Position Surface
Mount, Right Angle, Horizontal

Contact us: sales@integrated-circuit.com Website: www.integrated-circuit.com

Excellent Integrated System Limited

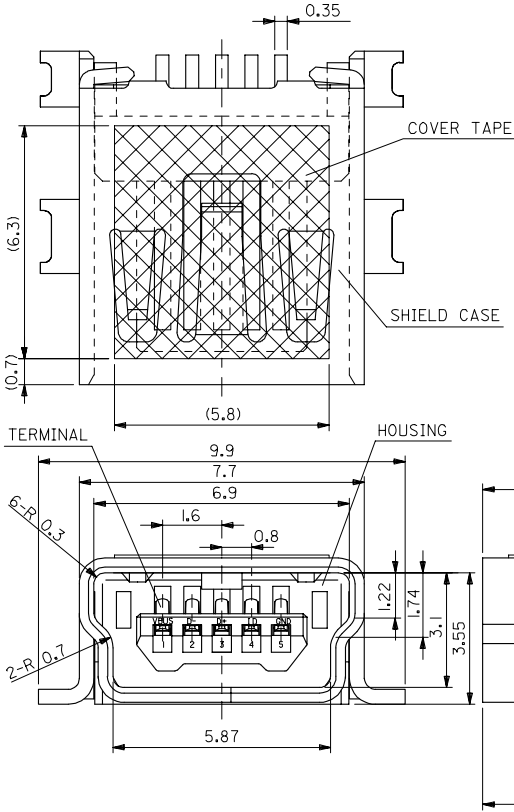
Stocking Distributor

Click to view price, real time Inventory, Delivery & Lifecycle Information:

[Molex Connector Corporation](#)
[0548191572](#)

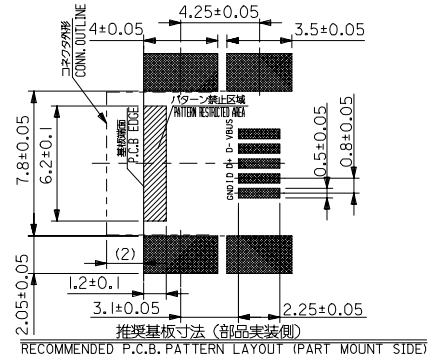
For any questions, you can email us directly:
sales@integrated-circuit.com

Contact us: sales@integrated-circuit.com Website: www.integrated-circuit.com



注記 1. 材質
NOTES MATERIAL
ハウジング: LCP(LIQUID CRYSTAL POLYMER)
黒色, UL94V-0
HOUSING: LCP(LIQUID CRYSTAL POLYMER)
BLACK, UL94V-0
ターミナル: 銅合金 (t=0.2)
TERMINAL: COPPER ALLOY (t=0.2)
シールドケース: 銅合金 (t=0.4)
SHIELD CASE: COPPER ALLOY (t=0.4)
カバーテープ: ポリイミド (t=0.08)
COVER TAPE: POLYIMIDE (t=0.08)

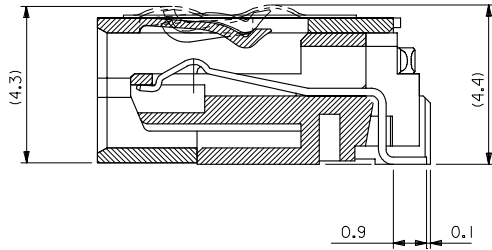
2. メッキ仕様
PLATING
ターミナル
TERMINAL
接点部: 金メッキ 0.75µm MIN.
CONTACT AREA: GOLD 0.75 MICRO METER MIN.
半田付け部: 銅メッキ 1µm MIN.
SOLDER TAIL AREA: TIN 1 MICRO METER MIN.
下地部: ニッケルメッキ 4µm MIN.
UNDER PLATING: NICKEL 4 MICRO METER MIN.
シールドケース
SHIELD CASE
: 銅メッキ 1µm MIN.
: TIN 1 MICRO METER MIN.
下地部: ニッケルメッキ 4µm MIN.
UNDER PLATING: NICKEL 4 MICRO METER MIN.
3. テールノール平坦度は 0.1mm MAX.
TAIL, NAIL COPLANARITY 0.1mm MAX.
4. 本製品は 54819-0571, 1571 の鉛フリー品である。
THIS PRODUCT IS LEAD FREE OF 54819-0571, 1571.



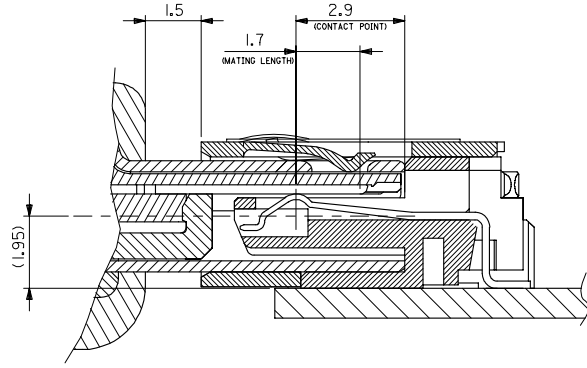
54819-1579 MATERIAL NO.
54819-**79 MODEL NO.

GENERAL TOLERANCES (UNLESS SPECIFIED)		DIMENSION STYLE	SCALE	DESIGN UNITS	THIRD ANGLE PROJECTION
		MM ONLY	---	METRIC	☉
10 UNDER	±0.2	DRAWN BY	DATE	TITLE	
10 OVER 30 UNDER	±0.25	M. NINOMIYA	2004/02/16	USB SERIES MINI-B RECEPTACLE ASSY FOR SMT -LEAD FREE-	
30 OVER	±0.3	CHECKED BY	DATE	MATERIAL NO.	
ANGULAR	±0.3 °	K. TOJO	2004/02/16	DOCUMENT NO.	
DRAFT WHERE APPLICABLE MUST REMAIN WITHIN DIMENSIONS		APPROVED BY	DATE	SHEET NO.	
		M. SASAO	2004/02/16	1 OF 2	
		MATERIAL NO. SEE CHART		SD-54819-024	
		SIZE A3 THIS DRAWING CONTAINS INFORMATION THAT IS PROPRIETARY TO MOLEX INCORPORATED AND SHOULD NOT BE USED WITHOUT WRITTEN PERMISSION			

Contact us: sales@integrated-circuit.com Website: www.integrated-circuit.com



SECTION



MATING

54819-1579	MATERIAL NO.
54819-**-79	MODEL NO.

REVISED EC NO: J2006-1106 DRAWN: YANAGI IMOTO 2005/10/05 CHECKED: TANAKA 2005/10/06 APPR: NIKITA 2005/10/13	GENERAL TOLERANCES (UNLESS SPECIFIED)		DIMENSION STYLE MM ONLY	SCALE ---	DESIGN UNITS METRIC	THIRD ANGLE PROJECTION
	10 UNDER	±0.2	DRAWN BY M. NINOMIYA	DATE 2004/02/16	TITLE USB SERIES MINI-B RECEPTACLE ASS'Y FOR SMT -LEAD FREE-	
	10 OVER 30 UNDER	±0.25	CHECKED BY K. TOJO	DATE 2004/02/16	MOLEX INCORPORATED	
	30 OVER	±0.3	APPROVED BY M. SASAO	DATE 2004/02/16	MATERIAL NO. SEE CHART	DOCUMENT NO. SD-54819-024
ANGULAR ±3°		DRAFT WHERE APPLICABLE MUST REMAIN WITHIN DIMENSIONS		THIS DRAWING CONTAINS INFORMATION THAT IS PROPRIETARY TO MOLEX INCORPORATED AND SHOULD NOT BE USED WITHOUT WRITTEN PERMISSION		

