

Excellent Integrated System Limited

Stocking Distributor

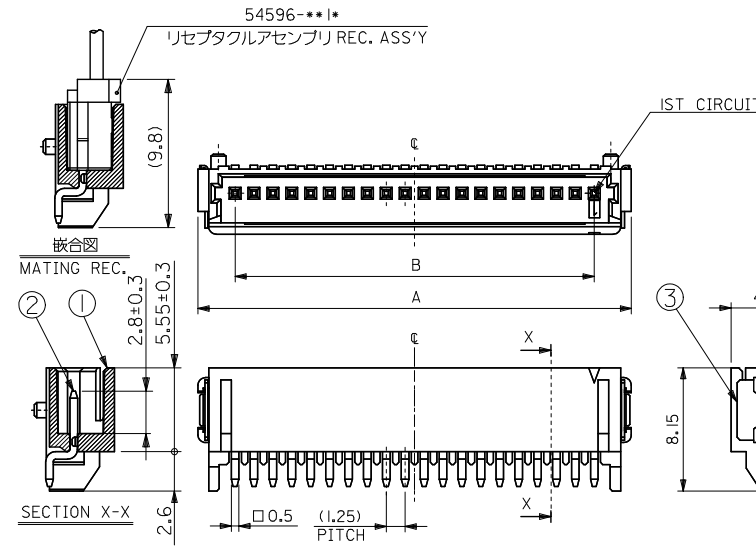
Click to view price, real time Inventory, Delivery & Lifecycle Information:

[Molex Connector Corporation](#)
[0554560469](#)

For any questions, you can email us directly:

sales@integrated-circuit.com

10 9 8 7 6 5 4 3 2 1



注記
NOTES

- 材料及仕上げ: 表参照
MATERIAL AND FINISH: SEE CHART
- エンボス梱包品の詳細は、SD-55456-011を参照の事。
DETAILED TAPING PACKAGE, SEE SD-55456-011

製品番号
MATERIAL NO.
55456-****

極数 CIRCUIT SIZE (02~20)

ボス BOSS 5: 有り WITH BOSS
6: 無し WITHOUT BOSS

色 COLOR 0: 自然色 NATURAL

4. 本製品は 55456-**10/**30/**70/**80 の鉛フリー品である。
THIS PRODUCT IS LEAD FREE OF 55456-**10/**30/**70/**80.

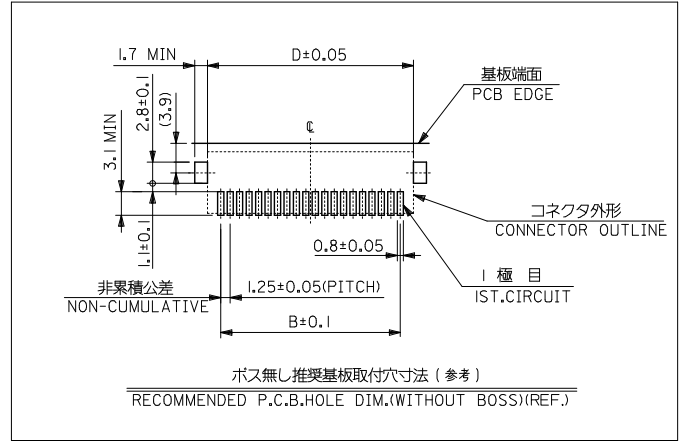
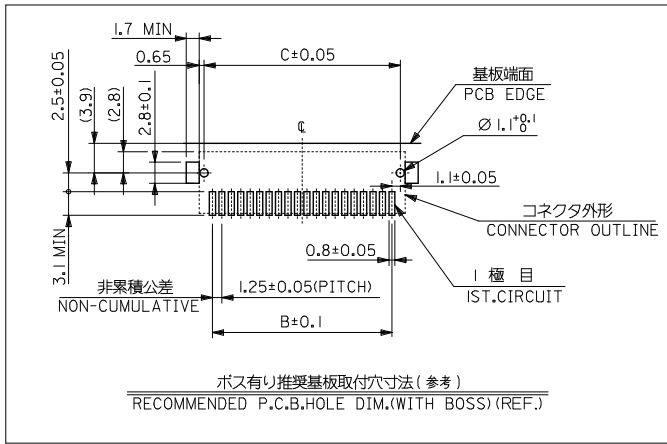
番号 NO.	名称 NAME	材料 MATERIAL	数量 QTY	仕上げ FINISH
①	ウエハー WAFER	ナイロン NYLON	1	UL94V-0 色: 原色 COLOR: NATURAL
②	ピン PIN	黄銅 BRASS	N	全体鍍メッキ PRE-TINNED
③	ネール NAIL	黄銅 BRASS	2	鍍メッキ TIN PLATING

ボス無しタイプ WITHOUT BOSS	ボス有りタイプ WITH BOSS
55456-**6*	55456-**5*

27.25	25.95	23.75	28.65	55456-2060		55456-2050
26	24.7	22.5	27.4	-1960		-1950
24.75	23.45	21.25	26.15	-1860		-1850
23.5	22.2	20	24.9	-1760		-1750
22.25	20.95	18.75	23.65	-1660		-1650
21	19.7	17.5	22.4	-1560		-1550
19.75	18.45	16.25	21.15	-1460		-1450
18.5	17.2	15	19.9	-1360		-1350
17.25	15.95	13.75	18.65	-1260		-1250
16	14.7	12.5	17.4	-1160		-1150
14.75	13.45	11.25	16.15	-1060	ボス無しタイプ WITHOUT BOSS 55456-**6*	-1050
13.5	12.2	10	14.9	-0960		-0950
12.25	10.95	8.75	13.65	-0860		-0850
11	9.7	7.5	12.4	-0760		-0750
9.75	8.45	6.25	11.15	-0660		---
8.5	7.2	5	9.9	-0560		-0550
7.25	5.95	3.75	8.65	-0460		-0450
6	4.7	2.5	7.4	-0360		---
4.75	3.45	1.25	6.15	55456-0260		55456-0250

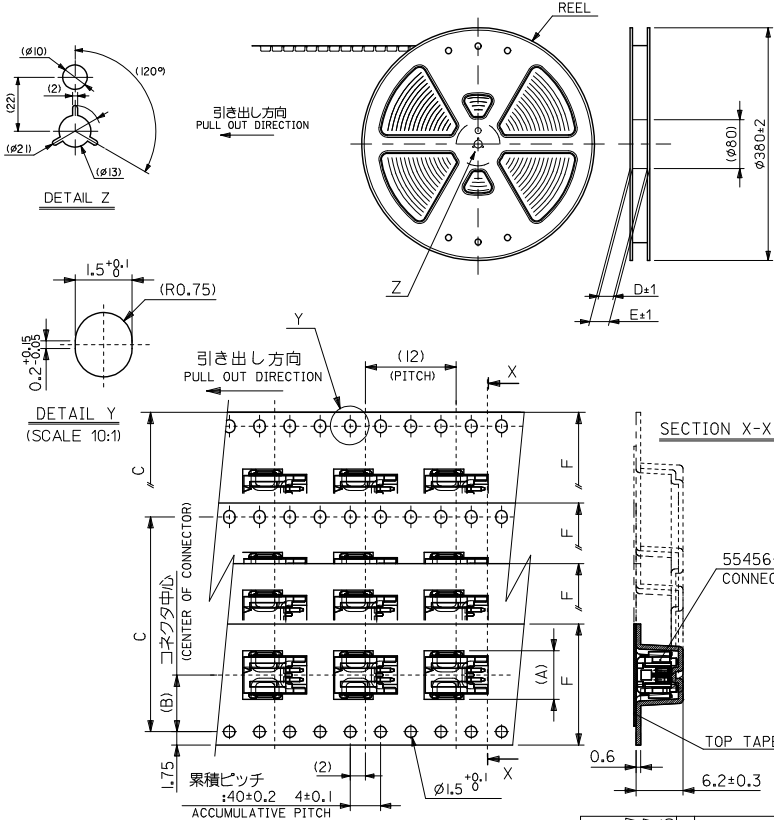
REVISED EC NO. J2016-0718 DRAWN: SHIMONISHI 2016/01/27 CHK: KOKURAKAMI 2116/01/27 APPR: TANAKA 2016/02/16	GENERAL TOLERANCES (UNLESS SPECIFIED)		DIMENSION STYLE MM ONLY	SCALE 4:1	DESIGN UNITS METRIC	THIRD ANGLE PROJECTION
	10 UNDER	±0.2	DRAWN BY N.AIDA	DATE '05/02/04	MINI M12 1-ROW R/A SMT ASS'Y -LEAD FREE- MOLEX INCORPORATED	
	10 OVER 30 UNDER	±0.25	CHECKED BY K.TOJO	DATE '05/02/04		
	30 OVER	±0.3	APPROVED BY N.UKITA	DATE '05/02/04		
ANGULAR ±3°	DRAFT WHERE APPLICABLE MUST REMAIN WITHIN DIMENSIONS		MATERIAL NO.	DOCUMENT NO. SD-55456-010	SHEET NO. 1 OF 2	

10 9 8 7 6 5 4 3 2 1



REVISED	EC NO. J2016-0718	GENERAL TOLERANCES (UNLESS SPECIFIED)	DIMENSION STYLE	SCALE	DESIGN UNITS	THIRD ANGLE PROJECTION
	DRW:SSHI MONISHI 2016/01/27	10 UNDER ±0.2	MM ONLY	4:1	METRIC	
	CHK:KOMURAKAMI 2016/01/27	10 OVER 30 UNDER ±0.25	DRAWN BY DATE	TITLE		
	APPR:KANAKO 2016/02/16	30 OVER ±0.3	N.AIDA '05/02/04	MINI M12 1-ROW R/A SMT ASS'Y -LEAD FREE-		
DESCRIPTION	ANGULAR ±3 °	DRAFT WHERE APPLICABLE MUST REMAIN WITHIN DIMENSIONS	CHECKED BY DATE	MOLEX INCORPORATED		SHEET NO. 2 OF 2
REV	SIZE A3	SEE CHART	N.TOJO '05/02/04	DOCUMENT NO. SD-55456-010		
THIS DRAWING CONTAINS INFORMATION THAT IS PROPRIETARY TO MOLEX INCORPORATED AND SHOULD NOT BE USED WITHOUT WRITTEN PERMISSION						

10 9 8 7 6 5 4 3 2 1



注記 NOTES

- 製品番号 55456-**** の詳細寸法については、SD-55456-010 を参照下さい。
IN THE PACKAGE, PART NO. 55456-**** DETAILED DIMENSION, SEE SD-55456-010
- 梱包数量: 1250個/リール
NUMBER OF CONNECTORS: 1250 PCS/REEL
- リードテープ長さ
LEAD TAPE LENGTH
トップテープ接着部
TOP TAPE BONDED PART
引き出し方向
PULL OUT DIRECTION
(空インボス)
(EMPTY)
25±10 20-25PCS.
トップテープ
リーダー部
TOP TAPE LEADER PART
700±80
部品挿入部
COMPONENT SUPPLIER
末端部
TAIL PART
(空部)
(EMPTY)
8-15PCS.
- トップテープの剥離強度: 0.1~1.3 (10~130gf)
(剥離方向は下図参照)
<剥離速度: 300mm/min (参考)>
PEEL-OFF FORCE OF TOP TAPE: 0.1~1.3 (10~130gf)
(PEELING DIRECTION AS SHOWN IN FOLLOWING FIG.)
<PEEL-OFF SPEED: 300mm/min (REF.)>
尚、本規格値は、出荷時に適用。
(但し、輸送時に剥離が発生しない事。) PULL OUT DIRECTION
THIS REQUIREMENT SHOULD BE APPLIED AT SHIPMENT
(PEEL OFF SHOULD NOT BE ALLOWED, DURING TRANSPORTATION)
剥離方向
PEEL OFF DIRECTION
10°
- 材料
MATERIAL
キャリアテープ: ポリプロピレン
CARRIER TAPE: POLYPROPYLENE
トップテープ: PET, PE, PP
TOP TAPE: PET, PE, PEF
リール: ポリスチレン
REEL: POLYSTYRENE
- 本製品は 55456-**19/**39/**79/**89 の鉛フリー品である。
THIS PRODUCT IS LEAD FREE OF 55456-**19/**39/**79/**89.

REVISED EC NO: J2016-0718 DRAWN: SSIH MONISHI 2016/01/27 CHKD: KOKURAMAKI 2016/01/27 APPR: IKANEKO 2016/02/16	GENERAL TOLERANCES (UNLESS SPECIFIED)		DIMENSION STYLE MM ONLY	SCALE 2:1	DESIGN UNITS METRIC	THIRD ANGLE PROJECTION
	10 UNDER	±0.2	DRAWN BY N.AIDA	DATE '05/02/04	EMBOSSED TAPE PACKAGE FOR 55456-**** -LEAD FREE- MOLEX INCORPORATED	
	10 OVER 30 UNDER	±0.25	CHECKED BY K.TOJO	DATE '05/02/04		
	30 OVER	±0.3	APPROVED BY N.UKITA	DATE '05/02/04		
A	ANGULAR	±3 °	MATERIAL NO.	DOCUMENT NO. SD-55456-011	SHEET NO. 1 OF 2	
DRAFT WHERE APPLICABLE MUST REMAIN WITHIN DIMENSIONS			SEE CHART		THIS DRAWING CONTAINS INFORMATION THAT IS PROPRIETARY TO MOLEX INCORPORATED AND SHOULD NOT BE USED WITHOUT WRITTEN PERMISSION	

10 9 8 7 6 5 4 3 2 1

44	49.4	45.4	40.4	20.2	28.95	55456-2060	55456-2069	55456-**69 ボス無し WITHOUT BOSS	55456-2050	55456-2059	55456-**59 ボス有り WITH BOSS	20	
					27.7	-1960	-1969		-1950	-1959		19	
					26.45	-1860	-1869		-1850	-1859		18	
					25.2	-1760	-1769		-1750	-1759		17	
					23.95	-1660	-1669		-1650	-1659		16	
					22.7	-1560	-1569		-1550	-1559		15	
32	37.4	33.4	28.4	14.2	21.45	-1460	-1469	-1450	-1459	14			
					20.2	-1360	-1369	-1350	-1359	13			
					18.95	-1260	-1269	-1250	-1259	12			
					17.7	-1160	-1169	-1150	-1159	11			
24	29.4	25.4	11.5	16.45	-1060	-1069	-1050	-1059	10				
				15.2	-0960	-0969	-0950	-0959	9				
				13.95	-0860	-0869	-0850	-0859	8				
				12.7	-0760	-0769	-0750	-0759	7				
				11.45	-0660	-0669	---	---	6				
16	21.4	17.4	7.5	10.2	-0560	-0569	-0550	-0559	5				
				8.95	-0460	-0469	-0450	-0459	4				
				7.7	-0360	-0369	---	---	3				
F キャリアーテープ幅 TAPE WIDTH		E	(D)	(C)	(B)	(A)	CONNECTOR	エンボス梱包品 製品番号 MATERIAL NO.	MODEL NO.	CONNECTOR	エンボス梱包品 製品番号 MATERIAL NO.	MODEL NO.	極数 CIRCUIT SIZE

REVISED EC NO: J2016-0718 DRAWN: SSIH MONISHI 2016/01/27 CHKD: KUMAKAMI 2016/01/27 APP: TANEKO 2016/02/16	GENERAL TOLERANCES (UNLESS SPECIFIED)		DIMENSION STYLE MM ONLY		SCALE 2:1	DESIGN UNITS METRIC	THIRD ANGLE PROJECTION
	10 UNDER	± 0.2	DRAWN BY N. AIDA	DATE '05/02/04	TITLE EMBOSSED TAPE PACKAGE FOR 55456-**** -LEAD FREE-		
	10 OVER 30 UNDER	± 0.25	CHECKED BY K. TOJO	DATE '05/02/04	MOLEX INCORPORATED		
	30 OVER	± 0.3	APPROVED BY N. UKITA	DATE '05/02/04	DOCUMENT NO. SD-55456-011		
A	ANGULAR ± 3 °		MATERIAL NO.		SHEET NO. 2 OF 2		
DRAFT WHERE APPLICABLE MUST REMAIN WITHIN DIMENSIONS		SEE CHART		THIS DRAWING CONTAINS INFORMATION THAT IS PROPRIETARY TO MOLEX INCORPORATED AND SHOULD NOT BE USED WITHOUT WRITTEN PERMISSION			