

Excellent Integrated System Limited

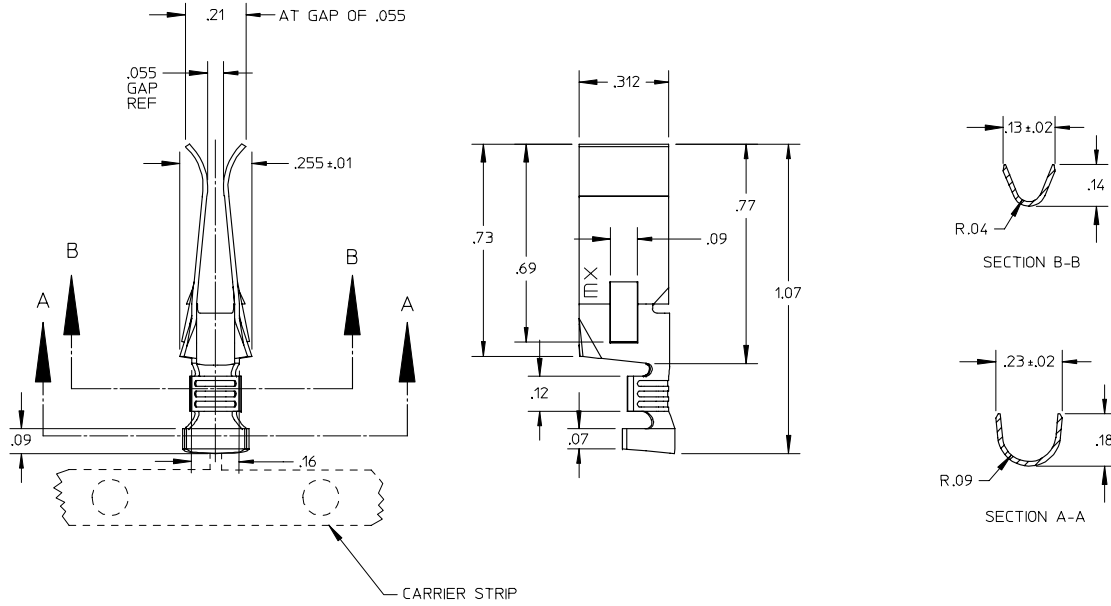
Stocking Distributor

Click to view price, real time Inventory, Delivery & Lifecycle Information:

[Molex Connector Corporation](#)
[0005121100](#)

For any questions, you can email us directly:
sales@integrated-circuit.com

NOTES:
1. MATERIAL: .016 THK. BRONZE ALLOY
2. FINISH: NONE
3. PRODUCT SPECIFICATION: NONE



REVISED & REDRAWN EC NO: UCP2004-0879 DRWN: JSCHAFFER 2003/11/14 CHKD: 2003/11/14 APPR: BWIRKUS 2003/11/17	QUALITY SYMBOLS -0 C-0	GENERAL TOLERANCES (UNLESS SPECIFIED)		SCALE 2:1	DESIGN UNITS INCH	THIRD ANGLE PROJECTION	REVISE ON CAD ONLY																
		<table border="1"> <thead> <tr> <th></th> <th>mm</th> <th>INCH</th> </tr> </thead> <tbody> <tr> <td>4 PLACES</td> <td>± ---</td> <td>± ---</td> </tr> <tr> <td>3 PLACES</td> <td>± ---</td> <td>± .005</td> </tr> <tr> <td>2 PLACES</td> <td>± ---</td> <td>± .010</td> </tr> <tr> <td>1 PLACE</td> <td>± ---</td> <td>± ---</td> </tr> </tbody> </table>			mm	INCH	4 PLACES	± ---	± ---	3 PLACES	± ---	± .005	2 PLACES	± ---	± .010	1 PLACE	± ---	± ---	DIMENSION STYLE INCH ONLY		TITLE RANGE PROBE TERMINAL FOR 14, 16, 18 GA. WIRE		
			mm	INCH																			
		4 PLACES	± ---	± ---																			
3 PLACES	± ---	± .005																					
2 PLACES	± ---	± .010																					
1 PLACE	± ---	± ---																					
ANGULAR ±1/2°		DRAFT WHERE APPLICABLE MUST REMAIN WITHIN DIMENSIONS		DRAWN BY JSCHAFFER	DATE 11-06-03	MOLEX INCORPORATED																	
REV	DESCRIPTION			CHECKED BY BWIRKUS	DATE 11-07-03	MATERIAL NO. 05-12-1100	DOCUMENT NO. SD-6482-*	SHEET NO. 1 OF 1															