

Excellent Integrated System Limited

Stocking Distributor

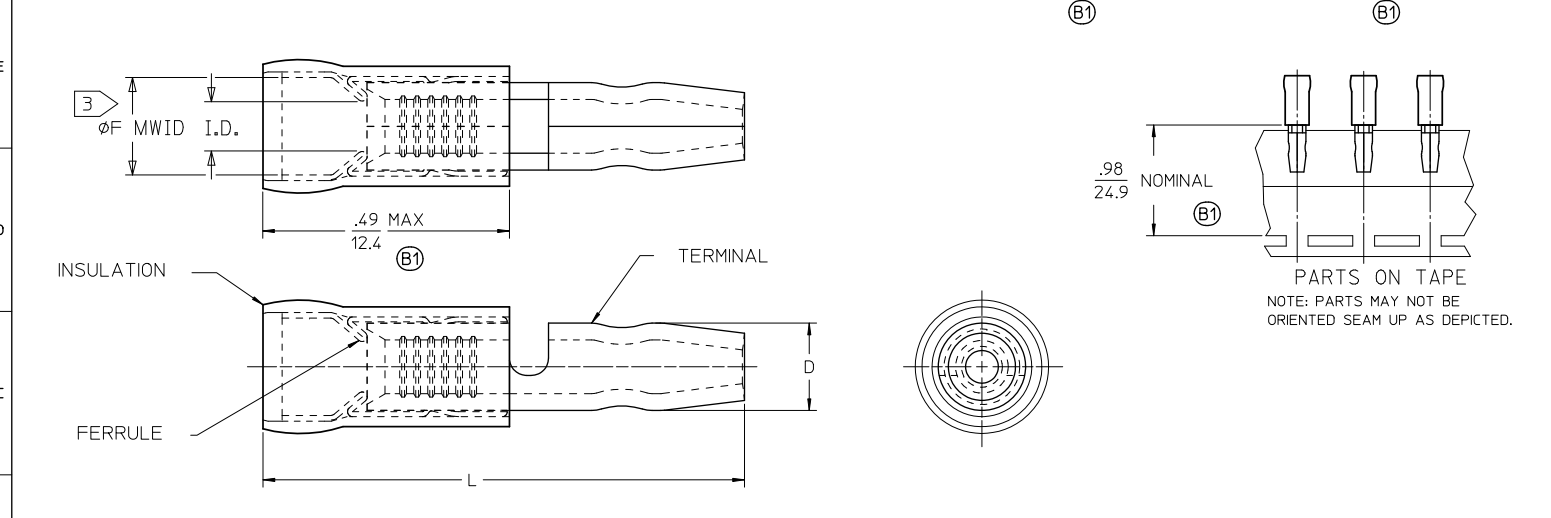
Click to view price, real time Inventory, Delivery & Lifecycle Information:

[Molex Connector Corporation](#)
[0190360009](#)

For any questions, you can email us directly:

sales@integrated-circuit.com

MATERIAL NUMBER LOOSE PCS	ENGINEERING NUMBER LOOSE PCS	MATERIAL NUMBER ON TAPE	ENGINEERING NUMBER ON TAPE	MATERIAL NUMBER ON BIG REEL	ENGINEERING NUMBER ON BIG REEL	WIRE RANGE 2 > AWG	INSULATION COLOR	I.D. MIN	3 > ϕ F MWD	ϕ D (B1)	L MAX	(B1)
190360001	A-859	190360002	A-859T			22-18	RED	.056/1.42	.140/3.56	.180/4.57	.98/24.9	
190360003	A-869	190360005	A-869T	190360004	A-869BT	22-18	RED	.056/1.42	.140/3.56	.156/3.96	.93/23.6	
190360006	B-879	190360007	B-879T			16-14	BLUE	.082/2.08	.170/4.32	.180/4.57	.98/24.9	
190360008	B-889	190360009	B-889T			16-14	BLUE	.082/2.08	.170/4.32	.156/3.96	.93/23.6	



- NOTES:
- MATERIAL: TERMINAL: COPPER .031 REF/(0.79) REF THK.
FINISH: ELECTRO-TIN PLATING.
FERRULE: COPPER ALLOY
FINISH: ELECTRO-TIN PLATING
INSULATION: NYLON 94V2
COLOR SEE CHART
 - FOR WIRE RANGE SEE CHART.
 - MAX WIRE INSULATION DIAMETER.
 - PARTS ARE ROHS COMPLIANT.

SALES DRAWING

CORRECT TOLERANCES EC NO: WNA2010-0326 DRAWN: THRODHL 2008/11/16 CHKD: MAGNETL 2008/11/17 APPR: JHAGNEL 2009/11/23 B1	QUALITY SYMBOLS ▽=0 ▽=0	GENERAL TOLERANCES (UNLESS SPECIFIED)		DIMENSION STYLE IN/MM		SCALE ---	DESIGN UNITS INCH	THIRD ANGLE PROJECTION	
		4 PLACES ± --- ± ---	mm	INCH	DATE	TITLE AVIKRIMP MALE BULLET SNAP PLUG EXTRUDED HOUSING			
		3 PLACES ± --- ± .005			DATE	Molex MOLEX INCORPORATED			
		2 PLACES ± 0.13 ± .01			DATE	MATERIAL NO. SEE CHART DOCUMENT NO. SD-19036-001 SHEET NO. 1 OF 1			
1 PLACE ± 0.25 ± ---			DATE	DRAFT WHERE APPLICABLE MUST REMAIN WITHIN DIMENSIONS					
		ANGULAR ± ---°				THIS DRAWING CONTAINS INFORMATION THAT IS PROPRIETARY TO MOLEX INCORPORATED AND SHOULD NOT BE USED WITHOUT WRITTEN PERMISSION			