

Excellent Integrated System Limited

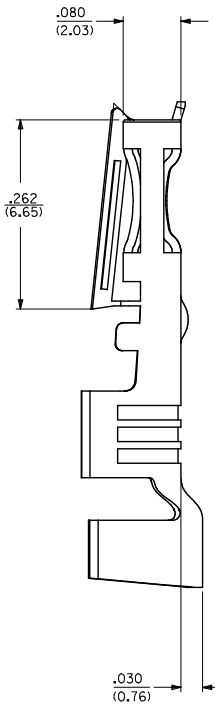
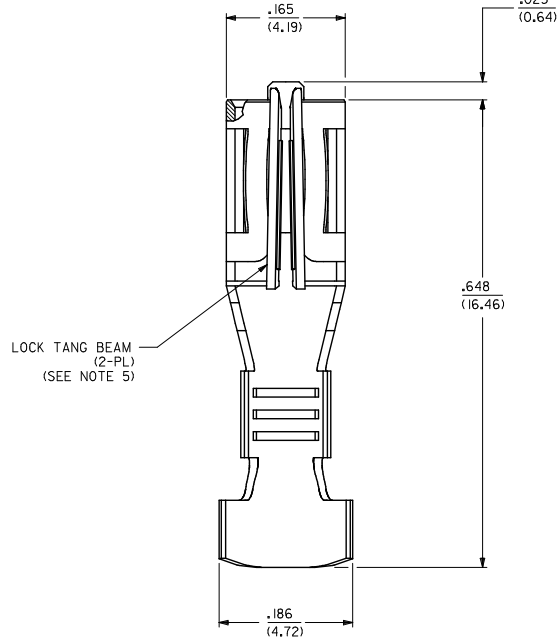
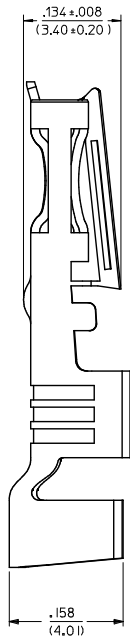
Stocking Distributor

Click to view price, real time Inventory, Delivery & Lifecycle Information:

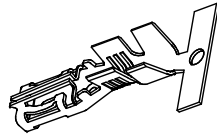
[Molex Connector Corporation](#)
[0433740001](#)

For any questions, you can email us directly:

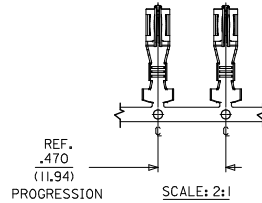
sales@integrated-circuit.com



SMALL INSULATION CRIMP



43374-0001



NOTES:

1. SINGLE CRIMP TO #16 & #14 AWG WIRE WITH .031/(0.79) MAXIMUM INSULATION THICKNESS.
2. MATERIAL: .012/(0.30) THICK C26000 BRASS.
3. FINISH: HOT TIN DIP.
4. DIMENSIONS FOR REFERENCE ONLY.
5. NO PORTION OF ONE LOCK TANG BEAM SHALL TOUCH ANY PORTION OF THE OTHER LOCK TANG BEAM.
6. PRODUCT SPECIFICATION: PS-43374-001

CORRECT TOLERANCE EC NO: UCP2014-5466 DRAWN BY: CHOKRABANDHON APPROVED BY: APPIRE SMITH DATE: 2014/07/09 DATE: 2014/07/17	QUALITY SYMBOLS ∇=0 ∇=0 ∇=0	GENERAL TOLERANCES (UNLESS SPECIFIED)		DIMENSION STYLE IN/MM		SCALE 10:1	DESIGN UNITS INCH	THIRD ANGLE PROJECTION	
		4 PLACES ± --- ± ---	mm	INCH	DRAWN BY	DATE	TITLE TERMINAL, RECEPTACLE .125/(3.18)X.020/(0.51) FLAT BLADE SYSTEM		
		3 PLACES ± --- ± .010			CHECKED BY	DATE	molex		
		2 PLACES ± 0.25 ± .014			APPROVED BY	DATE	MATERIAL NO. 433740001 DOCUMENT NO. SD-43374-0001 SHEET NO. 1 OF 1		
1 PLACE ± 0.35 ± ---			RAS	05/08/94	DRAFT WHERE APPLICABLE MUST REMAIN WITHIN DIMENSIONS				
0 PLACE ± ±			THIS DRAWING CONTAINS INFORMATION THAT IS PROPRIETARY TO MOLEX INCORPORATED AND SHOULD NOT BE USED WITHOUT WRITTEN PERMISSION						