

Excellent Integrated System Limited

Stocking Distributor

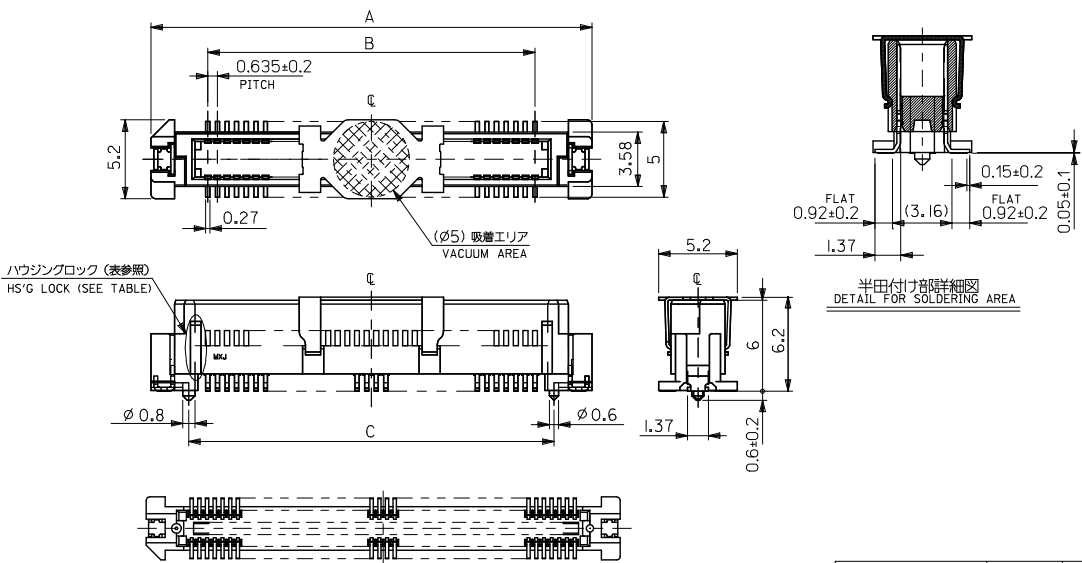
Click to view price, real time Inventory, Delivery & Lifecycle Information:

[Molex Connector Corporation](#)
[0536251474](#)

For any questions, you can email us directly:

sales@integrated-circuit.com

10 9 8 7 6 5 4 3 2 1



注) NOTES

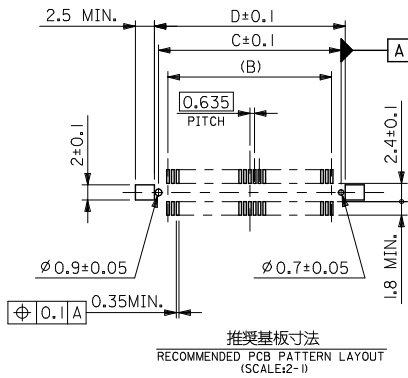
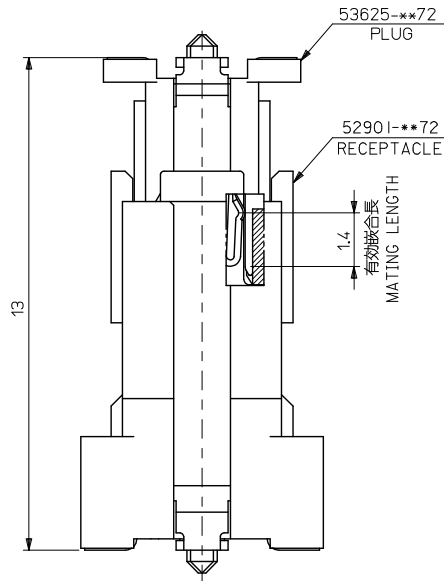
1. 材質 MATERIAL
 ハウジング: ガラス入り PPS、茶色、UL94V-0
 HOUSING: G.F.PPS, BROWN, UL94V-0
 ターミナル: 銅合金 (t=0.2)
 TERMINAL: COPPER ALLOY
 補強金具: 銅合金 (t=0.25)
 FITTING NAIL: COPPER ALLOY
 吸着カバー: ステンレス (t=0.2)
 VACUUM COVER: STAINLESS STEEL
2. メッキ仕様 PLATING
 ターミナル: 接点部 金メッキ 0.25 μmMIN.
 TERMINAL: CONTACT AREA: GOLD 0.25 MICROMETER MIN.
 半田付け部: 銀メッキ 1.0 μmMIN.
 SOLDER TAIL AREA: TIN 1.0 MICROMETER MIN.
 下地メッキ: ニッケルメッキ 1.5 μmMIN.
 UNDER-PLATING: NICKEL 1.5 MICROMETER MIN.
 補強金具: 銀メッキ 1.0 μmMIN.
 FITTING NAIL: TIN 1.0 MICROMETER MIN.
 下地メッキ: ニッケルメッキ 1.0 μmMIN.
 UNDER-PLATING: NICKEL 1.0 MICROMETER MIN.
3. テールのフラット寸法 TAIL COPLANARITY
 テール平坦度は、0.1 MAX.とする。
 TAILS COPLANARITY TO BE 0.1 MAX.
4. エンボス加工の精度については、SD-53625-003を参照下さい。
 FOR THE EMBOSSED PACKAGE PRODUCTS, SEE SD-53625-003.
5. 本製品は 53625-***2 の鉛フリー品である。
 THIS PRODUCT IS LEAD FREE OF 53625-***2.

WITHOUT HSG LOCK	79.17	78.07	75.565	83.07	53625-2474	240
WITHOUT HSG LOCK	53.77	52.67	50.165	57.67	53625-1674	160
WITHOUT HSG LOCK	47.42	46.32	43.815	51.32	53625-1474	140
WITHOUT HSG LOCK	41.07	39.97	37.465	44.97	53625-1274	120
WITHOUT HSG LOCK	31.55	30.45	27.94	35.45	53625-0974	90
WITHOUT HSG LOCK	28.37	27.27	24.765	32.27	53625-0874	80
WITH HSG LOCK	18.85	17.75	15.24	22.75	53625-0574	50
WITH HSG LOCK	15.67	14.57	12.065	19.57	53625-0474	40
WITH HSG LOCK	12.5	11.4	8.89	16.4	53625-0374	30

REVISED EC NO. J2015-1093 DRAWN: SATO06 2015/02/25 CHK: DARTAKUCHI 2015/02/25 APP: MORIKAWA 2015/02/25	GENERAL TOLERANCES (UNLESS SPECIFIED)		DIMENSION STYLE		SCALE		DESIGN UNITS		CONNECTOR SERIES No. : 53625-***72	
	0.25 UNDER	UNDER	±0.03	MM ONLY	---	METRIC	THIRD ANGLE PROJECTION		TITLE	
	0.25 OVER	0.5 UNDER	±0.05	DRAWN BY	DATE	0.635 B/B CONN. PLUG HS'G COVER ASS'Y				
	0.5 OVER	1.0 UNDER	±0.1	YWADA	2004/05/14	DOCUMENT NO. SD-53625-002				
1.0 OVER	10 UNDER	±0.2	CHECKED BY	DATE	SHEET NO. 1 OF 2					
10 OVER	30 UNDER	±0.25	MSASAO	2004/05/14	THIS DRAWING CONTAINS INFORMATION THAT IS PROPRIETARY TO MOLEX INCORPORATED AND SHOULD NOT BE USED WITHOUT WRITTEN PERMISSION					
30 OVER		±0.3	APPROVED BY	DATE						
ANGULAR		±3°	MSASAO	2004/05/14						
DRAFT WHERE APPLICABLE MUST REMAIN WITHIN DIMENSIONS			SIZE							

9 8 7 6 5 4 3 2 1

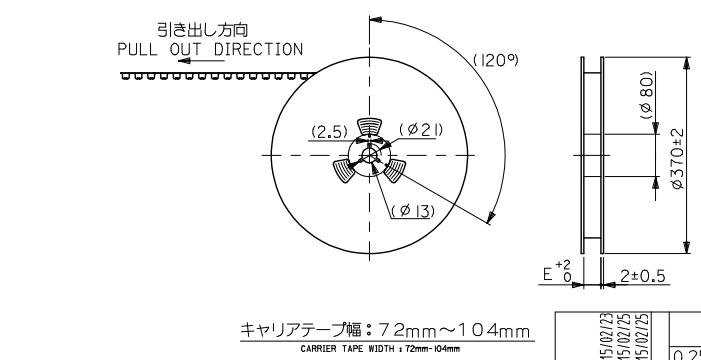
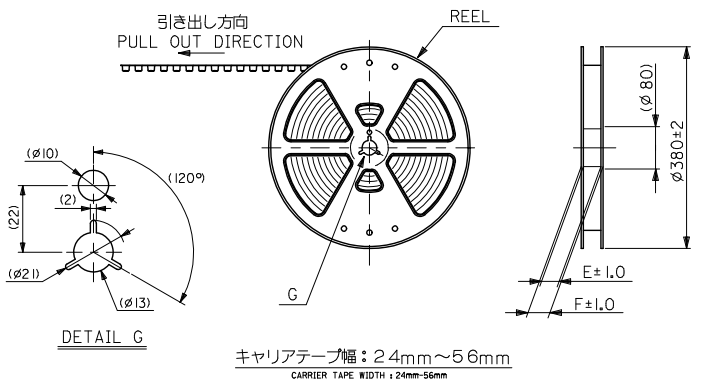
10 9 8 7 6 5 4 3 2 1



REVISED IEC NO. J2015-1093 DRAWN: SATO06 2015/02/23 CHKD: TAKEUCHI 2015/02/25 APPR: MORIKAWA 2015/02/25 REV A	GENERAL TOLERANCES (UNLESS SPECIFIED)			DIMENSION STYLE		SCALE	DESIGN UNITS	THIRD ANGLE PROJECTION
	(UNLESS SPECIFIED)			MM ONLY		---	METRIC	
	0.25 UNDER	UNDER	±0.03	DRAWN BY	DATE	TITLE		
	0.25 OVER	0.5 UNDER	±0.05	YWADA	2004/05/14	0.635 B/B CONN.PLUG HS'G COVER ASS'Y		
	0.5 OVER	1.0 UNDER	±0.1	CHECKED BY	DATE	molex DOCUMENT NO. SD-53625-002 SHEET NO. 2 OF 2		
1.0 OVER	10 UNDER	±0.2	MSASAO	2004/05/14				
10 OVER	30 UNDER	±0.25	APPROVED BY	DATE				
30 OVER		±0.3	MSASAO	2004/05/14	MATERIAL NO.		SEE SHEET 1	
ANGULAR ±3 °			DRAFT WHERE APPLICABLE MUST REMAIN WITHIN DIMENSIONS			THIS DRAWING CONTAINS INFORMATION THAT IS PROPRIETARY TO MOLEX INCORPORATED AND SHOULD NOT BE USED WITHOUT WRITTEN PERMISSION		

9 8 7 6 5 4 3 2 1

10 9 8 7 6 5 4 3 2 1

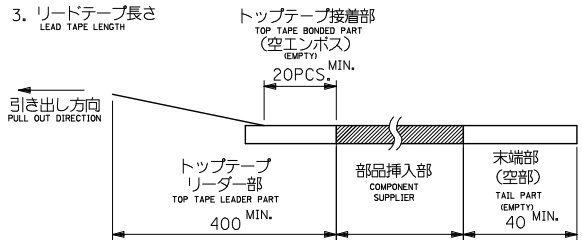


注)
NOTES

1. 製品番号 53625-***72 の詳細寸法については、SD-53625-002 を参照下さい。
IN THE PACKAGE, PART NO. 53625-***72 DETAILED DIMENSIONS, SEE SD-53625-002

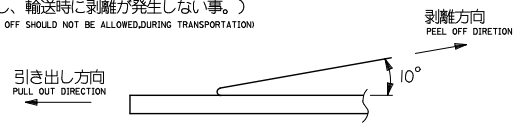
2. 梱包数量 : NUMBER OF CONNECTORS :

CIRCUITS	NUMBER
OTHERS	1000 PCS/REEL
	240
	800 PCS/REEL



4. トップテープの剥離強度 (剥離方向は下図参照)
PEELING OFF FORCE OF TOP TAPE (PEELING DIRECTION AS SHOWN IN FOLLOWING FIG.)
0.1~1.3N {10~130gf} : キャリアテープ幅 2.4mm~10.4mm
0.1~1.3N{10~130gf}

尚、本規格値は、出荷時に適用。
THIS REQUIREMENT SHOULD BE APPLIED AT SHIPMENT
(但し、輸送時に剥離が発生しない事。)
(PEEL OFF SHOULD NOT BE ALLOWED DURING TRANSPORTATION)



5. 材料
MATERIAL

キャリアテープ : ポリプロピレン (PP)
CARRIER TAPE : POLYPROPYLENE (PP)

トップテープ : PET, PE, PEF
TOP TAPE : PET, PE, PEF

リール : キャリアテープ幅 2.4mm~5.6mm : ポリスチレン
REEL : CARRIER TAPE WIDTH 2.4mm-5.6mm : POLYSTYRENE

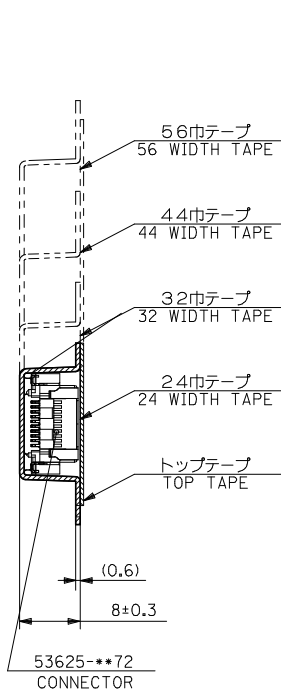
キャリアテープ幅 7.2mm~10.4mm : 紙
CARRIER TAPE WIDTH 7.2mm-10.4mm : CARDBOARD

6. 本製品は53625-***4の鉛フリー品である。
THIS PRODUCT IS LEAD FREE OF 53625-***4.

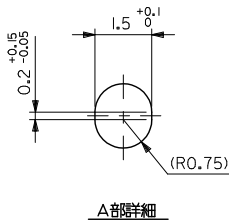
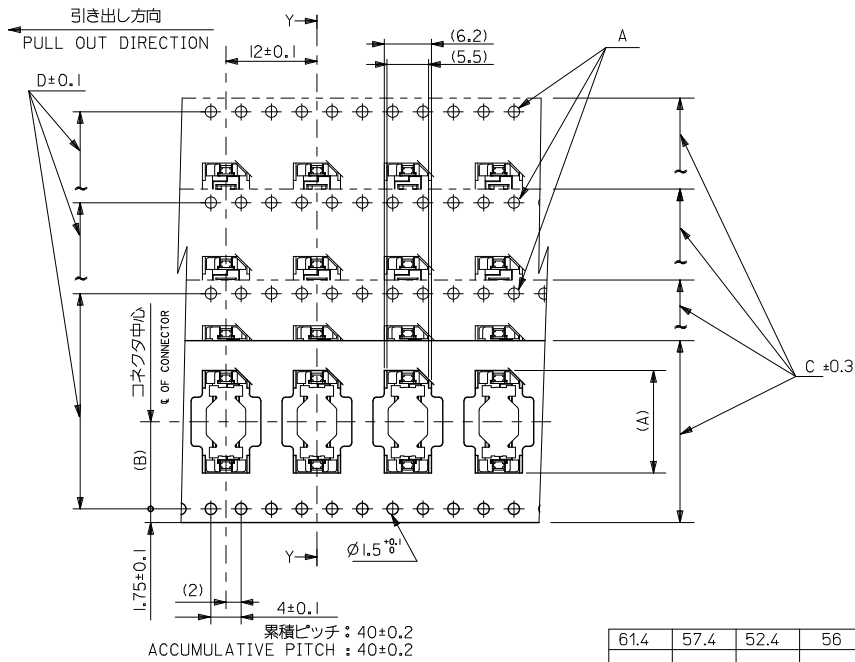
REVISED EC NO. J2015-1093 DRAWN: SATO06 CHKD: TAKEUCHI APPR: MORIKAWA	DESCRIPTION 2015/02/23 2015/02/25 2015/02/25	GENERAL TOLERANCES (UNLESS SPECIFIED)			DIMENSION STYLE		SCALE	MODEL No.	53625-***74
		0.25 UNDER	UNDER	±0.03	MM ONLY		---	DESIGN UNITS	METRIC
		0.25 OVER	0.5 UNDER	±0.05	DRAWN BY		DATE	THIRD ANGLE PROJECTION	
		0.5 OVER	1.0 UNDER	±0.1	YWADA		2004/05/14	53625-***72 TAPING PACKAGE	
1.0 OVER	10 UNDER	±0.20	CHECKED BY		DATE	molex			
10 OVER	30 UNDER	±0.25	MSASAO		2004/05/14				
30 OVER		±0.3	APPROVED BY		DATE	DOCUMENT NO.		SD-53625-003	
ANGULAR ±3°			MATERIAL NO.		SEE SHEET 2		SHEET NO.		1 OF 3
DRAFT WHERE APPLICABLE MUST REMAIN WITHIN DIMENSIONS				THIS DRAWING CONTAINS INFORMATION THAT IS PROPRIETARY TO MOLEX INCORPORATED AND SHOULD NOT BE USED WITHOUT WRITTEN PERMISSION					

9 8 7 6 5 4 3 2 1

10 9 8 7 6 5 4 3 2 1



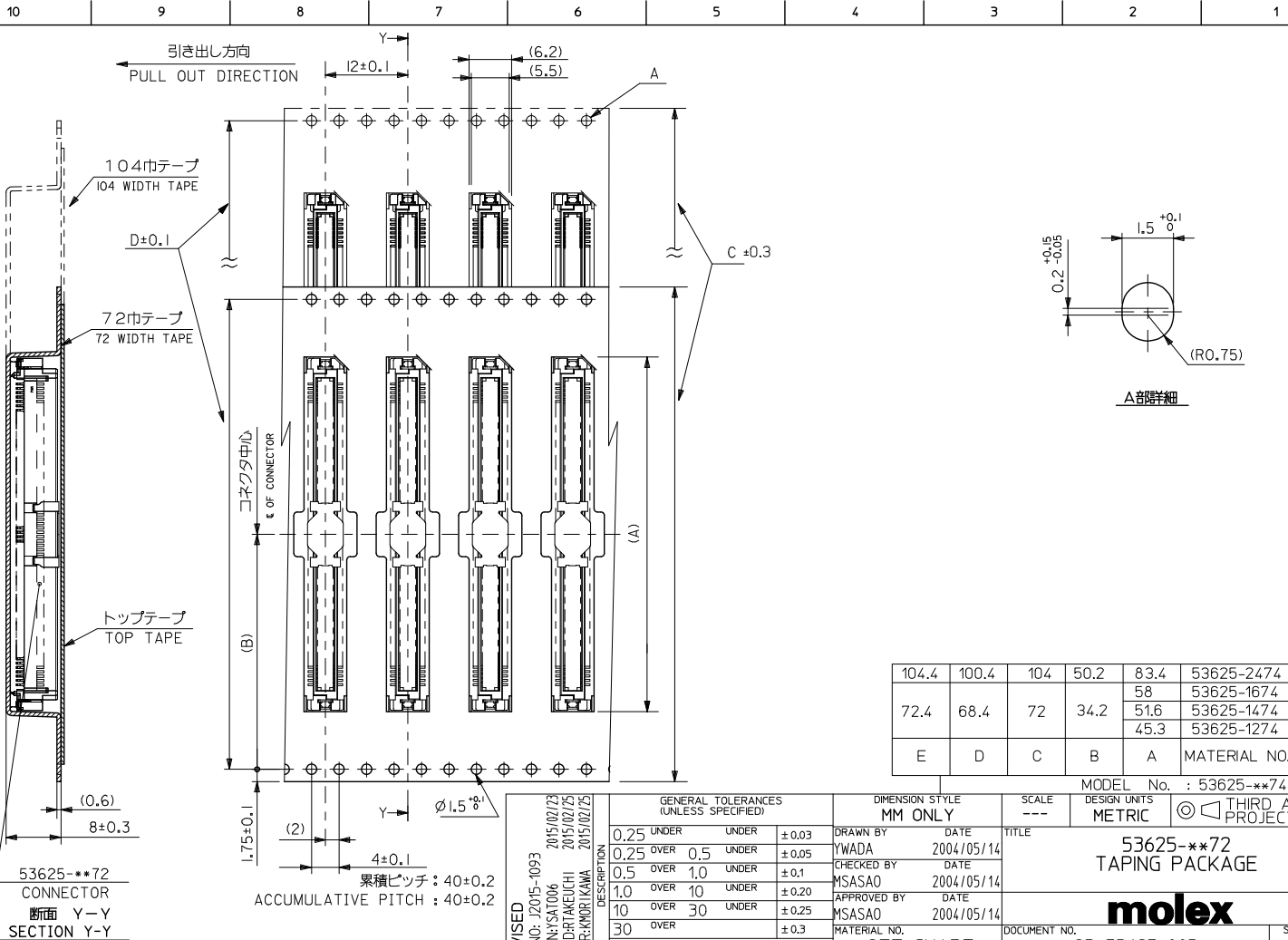
断面 Y-Y
SECTION Y-Y



61.4	57.4	52.4	56	26.2	38.9	53625-0974	90
49.4	45.4	40.4	44	20.2	32.6	53625-0874	80
					23.1	53625-0574	50
37.4	33.4	28.4	32	14.2	19.9	53625-0474	40
					16.7	53625-0374	30
F	E	D	C	B	A	MATERIAL NO.	極数 CIRCUITS

REVISED IEC NO. J2015-1093 DRAWN: SATO06 CHKD: TAKEUCHI APPR: MORIKAWA REV DESCRIPTION A	GENERAL TOLERANCES (UNLESS SPECIFIED)			DIMENSION STYLE MM ONLY		SCALE ---	MODEL No. : 53625-***74
	0.25 UNDER	UNDER	±0.03	DRAWN BY	DATE	TITLE	53625-***72 TAPING PACKAGE molex DOCUMENT NO. SD-53625-003 SHEET NO. 2 OF 3
	0.25 OVER	0.5 UNDER	±0.05	YWADA	2004/05/14		
	0.5 OVER	1.0 UNDER	±0.1	CHECKED BY	DATE		
1.0 OVER	10 UNDER	±0.20	MSASAO	2004/05/14			
10 OVER	30 UNDER	±0.25	APPROVED BY	DATE			
30 OVER		±0.3	MSASAO	2004/05/14			
	ANGULAR	±3 °	MATERIAL NO.				
DRAFT WHERE APPLICABLE MUST REMAIN WITHIN DIMENSIONS				SIZE A3	SEE CHART THIS DRAWING CONTAINS INFORMATION THAT IS PROPRIETARY TO MOLEX INCORPORATED AND SHOULD NOT BE USED WITHOUT WRITTEN PERMISSION		

9 8 7 6 5 4 3 2 1



REVISED EC NO. J2015-1093 DRAWN: SATOH 2015/02/23 CHKD: TAKEUCHI 2015/02/25 APPR: MORIKAWA 2015/02/25	GENERAL TOLERANCES (UNLESS SPECIFIED)			DIMENSION STYLE MM ONLY		SCALE ---	MODEL No. : 53625-72	
	0.25 UNDER	UNDER	±0.03	DRAWN BY	DATE	TITLE	53625-72 TAPING PACKAGE	
	0.25 OVER	0.5 UNDER	±0.05	YWADA	2004/05/14			
	0.5 OVER	1.0 UNDER	±0.1	CHECKED BY	DATE			
1.0 OVER	10 UNDER	±0.20	MSASAO	2004/05/14				
	30 OVER	±0.25	APPROVED BY	DATE			molex	
	30 OVER	±0.3	MSASAO	2004/05/14				
	ANGULAR	±3°	MATERIAL NO.	DOCUMENT NO.	SEE CHART	SD-53625-003	SHEET NO. 3 OF 3	
DRAFT WHERE APPLICABLE MUST REMAIN WITHIN DIMENSIONS				THIS DRAWING CONTAINS INFORMATION THAT IS PROPRIETARY TO MOLEX INCORPORATED AND SHOULD NOT BE USED WITHOUT WRITTEN PERMISSION				