

Excellent Integrated System Limited

Stocking Distributor

Click to view price, real time Inventory, Delivery & Lifecycle Information:

[Molex Connector Corporation](#)
[0855055002](#)

For any questions, you can email us directly:

sales@integrated-circuit.com

10 9 8 7 6 5 4 3 2 1

TECHNICAL SPECIFICATIONS:

I- MATERIAL :

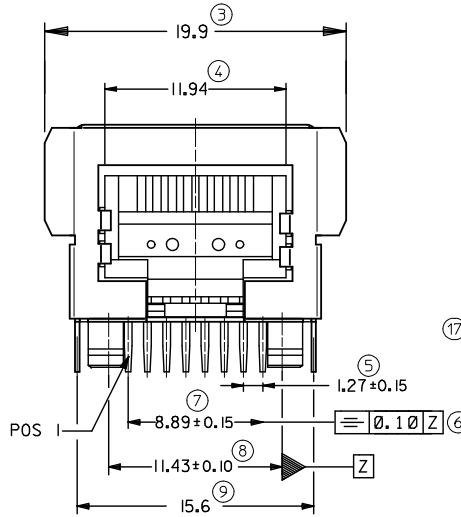
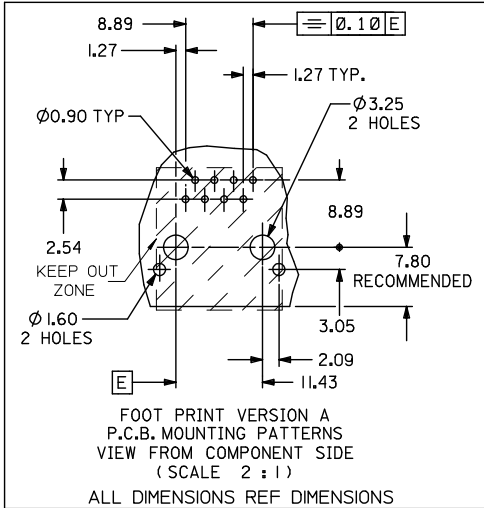
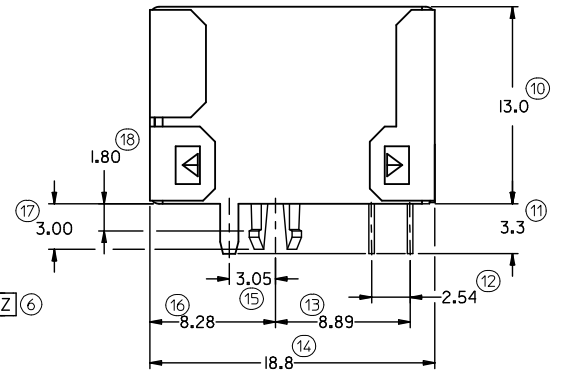
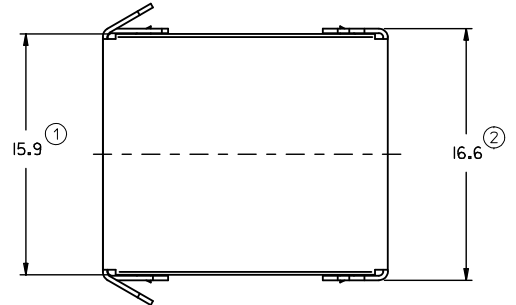
HOUSING: LCP GLASS FILLED UL 94VO COLOR BLACK
TERMINAL : PHOSPHOR BRONZE PLATED WITH:

BASE FINISH: NICKEL,
CONTACT SURFACE FINISH:
GOLD,
OR

GOLD FLASH OVER PALLADIUM NICKEL.
EXCEEDS PRODUCT REQUIREMENTS BASED ON PS-85543-002

SHIELD : BRASS PLATED WITH TIN

ENG. NO.	FOOT PRINT VERSION	HOUSING SIZE	LOADED CKTS	TOOLED	PACKAGING SPEC. NOTE#
85505-5002	A	8	8	YES	PK-95122 SHEET 2



NOTES:

- JACK FOR MATING WITH SHIELDED PLUG MOLEX 95043 AND 85568 SERIES.
 - PRODUCT SPECIFICATION: MOLEX PS-85543-002
 - APPLICATION SPECIFICATION: MOLEX AS-85513-001
 - PACKAGING SPECIFICATION: MOLEX PK-95122 SEE CHART
 - P.C. BOARD THICKNESS : 1.57
 - EXCEEDS CATEGORY 5E PERFORMANCE.
- LAST INSPECTION NO.: 18

REV	DESCRIPTION	QUALITY SYMBOLS	GENERAL TOLERANCES (UNLESS SPECIFIED)		DIMENSION STYLE		SCALE	DESIGN UNITS	THIRD ANGLE PROJECTION
			mm	INCH	MM ONLY	DATE			
1	CHANGED PRODUCT SPECIFICATION	▽=0	4 PLACES ±---	±---	MARTIN	2005/03/07	4:1	METRIC	⊙ □ THIRD ANGLE PROJECTION
2	CHANGED PRODUCT SPECIFICATION	▽=0	3 PLACES ±---	±---	CHECKED BY	DATE			
3	CHANGED PRODUCT SPECIFICATION		2 PLACES ±0.25	±---	FCARABETTA	2005/03/07			
4	CHANGED PRODUCT SPECIFICATION		1 PLACE ±0.35	±---	APPROVED BY	DATE			
5	CHANGED PRODUCT SPECIFICATION		ANGULAR ± 2 °		KNOLLER	2005/03/07			
			DRAFT WHERE APPLICABLE MUST REMAIN WITHIN DIMENSIONS		MATERIAL NO. SEE CHART		DOCUMENT NO. SD-85505-103		SHEET NO. 1 OF 1

9 8 7 6 5 4 3 2 1