

## Excellent Integrated System Limited

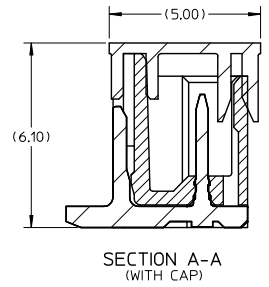
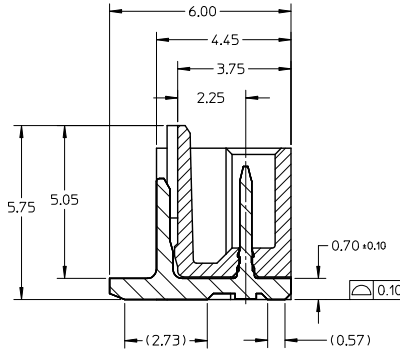
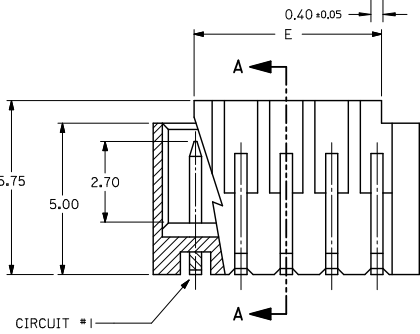
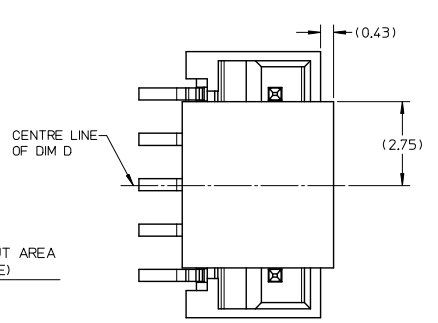
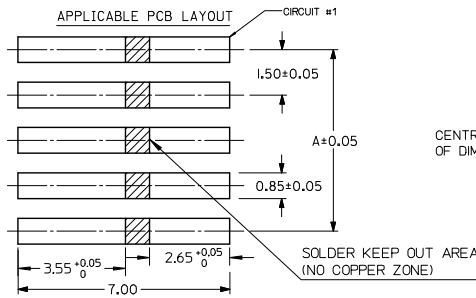
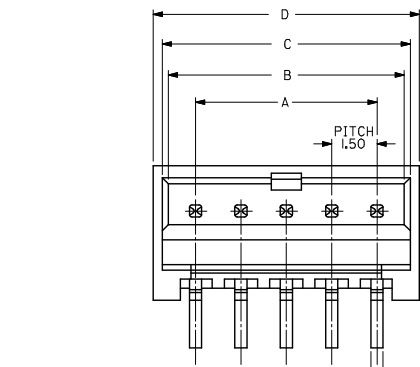
Stocking Distributor

Click to view price, real time Inventory, Delivery & Lifecycle Information:

[Molex Connector Corporation](#)  
[0874370373](#)

For any questions, you can email us directly:  
[sales@integrated-circuit.com](mailto:sales@integrated-circuit.com)

10 9 8 7 6 5 4 3 2 1

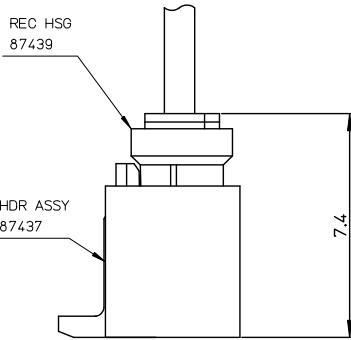
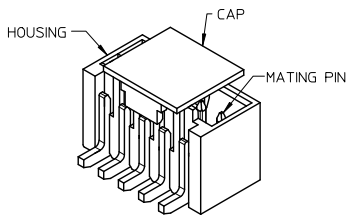


- NOTES:
- MATERIAL:  
HOUSING: NYLON, GLASS FILLED, UL94 V-0, COLOR - SEE TABLE.  
CAP: NYLON, GLASS FILLED, UL94V-0, COLOR: BEIGE.  
PINS: BRASS ALLOY, C26000, P/N87437-8083.
  - PLATING: 2.54µM. MIN. TIN OVER 1.27µM MIN. NICKEL.
  - DRAWING SHOWS PLUG WITH 5 CIRCUITS.
  - HEADER TO BE USED WITH CRIMP HOUSING, P/N 87439 AND CRIMP TERMINAL, P/N 87421.
  - PARTS TO BE PACKED IN MOISTURE BAG.
  - THIS DRAWING IS RE-DRAWING OF SD-87437-\*\*\*31.

REVISED EC NO: J2014-0799 DRAWN BY: CHIKAKASAKAWA CHECKED BY: APPR: NUKITA DATE: 2013/11/06 DATE: 2013/11/07 DATE: 2013/11/08	GENERAL TOLERANCES (UNLESS SPECIFIED)		DIMENSION STYLE MM ONLY		SCALE 8:1	DESIGN UNITS METRIC	THIRD ANGLE PROJECTION
	10 UNDER	± 0.20	DRAWN BY TYAJIMA01	DATE 2013/09/19	TITLE <b>150MM PITCH, W-T-B          HEADER, VERTICAL, SMT</b>		
	10 OVER 30 UNDER	± 0.20	CHECKED BY KASAKAWA	DATE 2013/09/20			
	30 OVER	± 0.20	APPROVED BY NUKITA	DATE 2013/09/25			
ANGULAR ±3°		MATERIAL NO. SEE TABLE		DOCUMENT NO. SD-87437-001	SHEET NO. 1 OF 4		
DRAFT WHERE APPLICABLE MUST REMAIN WITHIN DIMENSIONS		THIS DRAWING CONTAINS INFORMATION THAT IS PROPRIETARY TO MOLEX INCORPORATED AND SHOULD NOT BE USED WITHOUT WRITTEN PERMISSION					

9 8 7 6 5 4 3 2 1

10 9 8 7 6 5 4 3 2 1

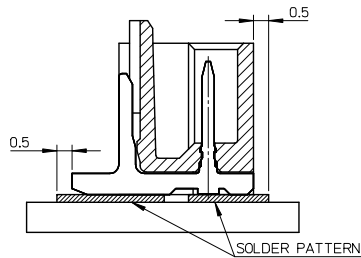


嵌合状態図  
MATED CONNECTORS

PART NUMBER ASSIGNMENT

87437-XXXX

- 2- TUBE PACKAGING
- 3- TAPE AND REEL PACKAGING
- 4- BEIGE COLOR HSG } WITHOUT CAP
- 5- BLACK COLOR HSG }
- 6- BLACK COLOR HSG } WITH CAP
- 7- BEIGE COLOR HSG }
- 02 TO 15 CIRCUIT SIZE



Mounting Position of the Connector

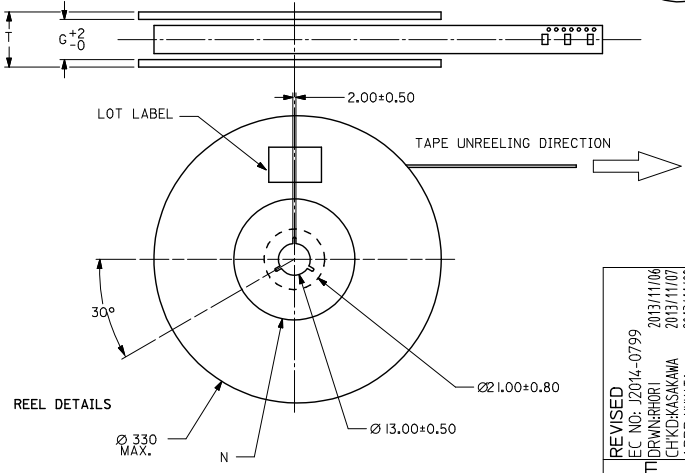
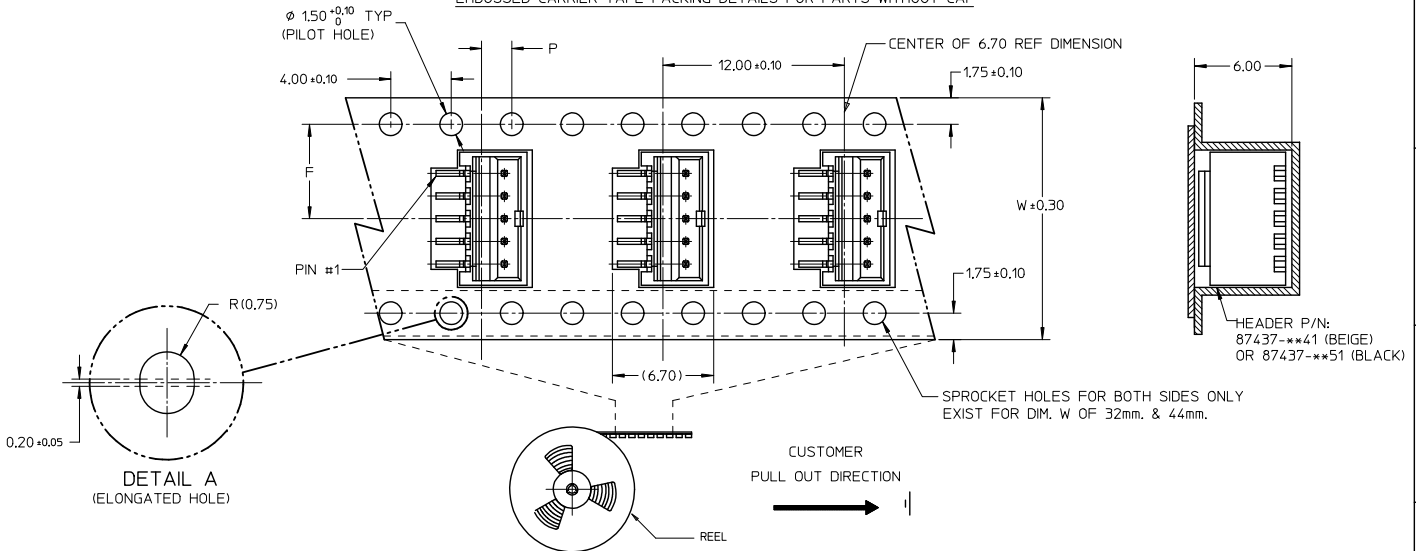
CIRCUIT SIZE	A	B	C	D	E
02	1.50	3.30	3.70	4.30	1.70
03	3.00	4.80	5.20	5.80	3.20
04	4.50	6.30	6.70	7.30	4.70
05	6.00	7.80	8.20	8.80	6.20
06	7.50	9.30	9.70	10.30	7.70
07	9.00	10.80	11.20	11.80	9.20
08	10.50	12.30	12.70	13.30	10.70
09	12.00	13.80	14.20	14.80	12.20
10	13.50	15.30	15.70	16.30	13.70
11	15.00	16.80	17.20	17.80	15.20
12	16.50	18.30	18.70	19.30	16.70
13	18.00	19.80	20.20	20.80	18.20
14	19.50	21.30	21.70	22.30	19.70
15	21.00	22.80	23.20	23.80	21.20

REVISED EC NO: J2014-0799 T: DRW:RHORI 2013/11/06 CHK:KASAKAWA 2013/11/07 APPR:NUKITA 2013/11/08	GENERAL TOLERANCES (UNLESS SPECIFIED)		DIMENSION STYLE MM ONLY		SCALE 8:1	DESIGN UNITS METRIC	THIRD ANGLE PROJECTION
	10 UNDER	± 0.20	DRAWN BY TYAJIMA01	DATE 2013/09/19	TITLE 1.50MM PITCH, W-T-B HEADER, VERTICAL, SMT  <b>molex</b> DOCUMENT NO. SD-87437-001 SHEET NO. 2 OF 4		
	10 OVER 30 UNDER	± 0.20	CHECKED BY KASAKAWA	DATE 2013/09/20			
	30 OVER	± 0.20	APPROVED BY NUKITA	DATE 2013/09/25			
ANGULAR ±3 °		MATERIAL NO.		SEE TABLE			
DRAFT WHERE APPLICABLE MUST REMAIN WITHIN DIMENSIONS		SIZE A3		THIS DRAWING CONTAINS INFORMATION THAT IS PROPRIETARY TO MOLEX INCORPORATED AND SHOULD NOT BE USED WITHOUT WRITTEN PERMISSION			

9 8 7 6 5 4 3 2 1

10 9 8 7 6 5 4 3 2 1

EMBOSSED CARRIER TAPE PACKING DETAILS FOR PARTS WITHOUT CAP

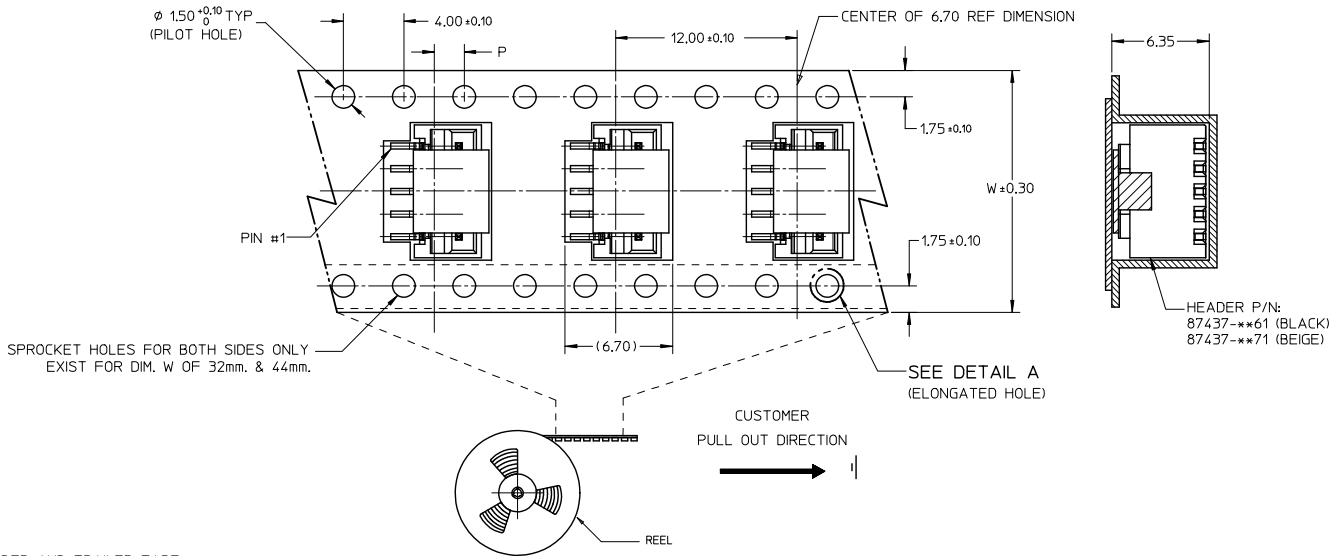


REVISED IEC NO. J2014-0799 TIDRWARHORI 2013/11/06 CHIKIDAKASAKAWA 2013/11/07 APPR: NUKITA 2013/11/08 REV:	GENERAL TOLERANCES (UNLESS SPECIFIED)		DIMENSION STYLE MM ONLY		SCALE 8:1	DESIGN UNITS METRIC	THIRD ANGLE PROJECTION
	10 UNDER	± 0.20	DRAWN BY TYAJIMA01	DATE 2013/09/19	TITLE 150MM PITCH, W-T-B HEADER, VERTICAL, SMT		
	10 OVER 30 UNDER	± 0.20	CHECKED BY KASAKAWA	DATE 2013/09/20	MATERIAL NO. SEE TABLE		
	30 OVER	± 0.20	APPROVED BY NUKITA	DATE 2013/09/25	DOCUMENT NO. SD-87437-001	SHEET NO. 3 OF 4	
ANGULAR ± 3 °		DRAFT WHERE APPLICABLE MUST REMAIN WITHIN DIMENSIONS		THIS DRAWING CONTAINS INFORMATION THAT IS PROPRIETARY TO MOLEX INCORPORATED AND SHOULD NOT BE USED WITHOUT WRITTEN PERMISSION			

9 8 7 6 5 4 3 2 1

10 9 8 7 6 5 4 3 2 1

EMBOSSED CARRIER TAPE PACKING DETAILS FOR PARTS WITH CAP



- NOTES:
- LEADER AND TRAILER TAPE
  - PEELING OFF FORCE OF THE TOP TAPE: 20-80gf.  
 (PEELING DIRECTION AS SHOWN IN FOLLOWING FIGURE)
  - THE TAPE IS TREATED FOR ANTI-STATIC.
  - PACKAGING STANDARD IS AS PER EIA-481.
  - TAPE & REEL QUANTITY = 1000PCS/REEL (WITHOUT CAP)  
 TAPE & REEL QUANTITY = 900PCS/REEL (WITH CAP)

15	44	20.20±0.15	100	44.40	50.40	2.00±0.15
11, 12, 13, 14	32	14.20±0.10	100	32.40	38.40	2.00±0.10
7, 8, 9, 10	24	11.50±0.10	100	24.40	30.40	2.00±0.10
2, 3, 4, 5, 6	16	7.50±0.10	100	16.40	22.40	2.00±0.10

REVISED EC NO. J2014-0799 DRAWN BY: TI DRWINRHORI CHECKED BY: CHIKO KASAKAWA APPROVED BY: NUKITA DATE: 2013/11/06 DATE: 2013/11/07 DATE: 2013/11/08 DESCRIPTION:	GENERAL TOLERANCES (UNLESS SPECIFIED)		DIMENSION STYLE MM ONLY		SCALE 8:1	DESIGN UNITS METRIC	THIRD ANGLE PROJECTION
	10 UNDER	± 0.20	DRAWN BY	DATE	TITLE <b>1.50MM PITCH, W-T-B          HEADER, VERTICAL, SMT</b>		
	10 OVER 30 UNDER	± 0.20	TYAJIMA01	2013/09/19			
	30 OVER	± 0.20	KASAKAWA	2013/09/20			
ANGULAR ±3 °		APPROVED BY		DATE	<b>molex</b> DOCUMENT NO. SD-87437-001 SHEET NO. 4 OF 4		
DRAFT WHERE APPLICABLE MUST REMAIN WITHIN DIMENSIONS		NUKITA		2013/09/25			
MATERIAL NO.		SEE TABLE		THIS DRAWING CONTAINS INFORMATION THAT IS PROPRIETARY TO MOLEX INCORPORATED AND SHOULD NOT BE USED WITHOUT WRITTEN PERMISSION			

9 8 7 6 5 4 3 2