

Excellent Integrated System Limited

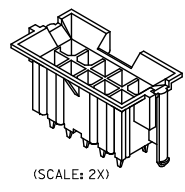
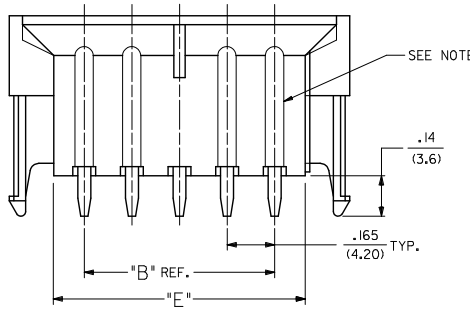
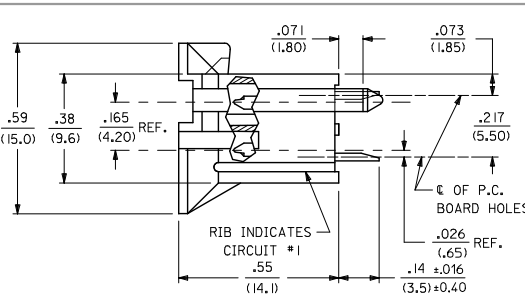
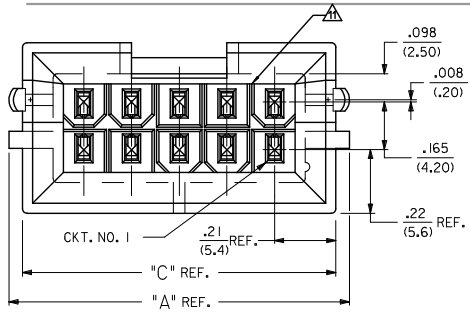
Stocking Distributor

Click to view price, real time Inventory, Delivery & Lifecycle Information:

[Molex Connector Corporation](#)
[0015246101](#)

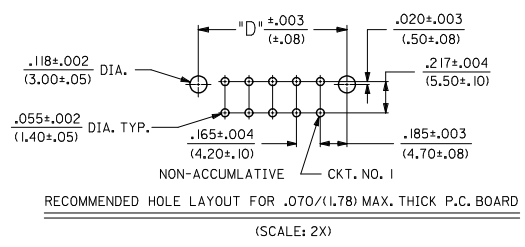
For any questions, you can email us directly:

sales@integrated-circuit.com



CIRCUIT SIZE	DIM. 'A'	DIM. 'B'	DIM. 'C'	DIM. 'D'	DIM. 'E'
2	.520 (13.20)	—	.425 (10.80)	.370 (9.40)	.21 (5.4)
4	.685 (17.40)	.17 (4.2)	.590 (15.00)	.535 (13.60)	.38 (9.6)
6	.850 (21.60)	.33 (8.4)	.756 (19.20)	.701 (17.80)	.54 (13.8)
8	1.016 (25.80)	.50 (12.6)	.921 (23.40)	.866 (22.00)	.71 (18.0)
10	1.181 (30.00)	.66 (16.8)	1.087 (27.60)	1.031 (26.20)	.87 (22.2)
12	1.346 (34.20)	.83 (21.0)	1.252 (31.80)	1.197 (30.40)	1.04 (26.4)
14	1.512 (38.40)	.99 (25.2)	1.417 (36.00)	1.362 (34.60)	1.20 (30.6)
16	1.677 (42.60)	1.16 (29.4)	1.583 (40.20)	1.528 (38.80)	1.37 (34.8)
18	1.843 (46.80)	1.32 (33.6)	1.748 (44.40)	1.693 (43.00)	1.54 (39.0)
20	2.008 (51.00)	1.49 (37.8)	1.913 (48.60)	1.858 (47.20)	1.70 (43.2)
22	2.173 (55.20)	1.65 (42.0)	2.079 (52.80)	2.024 (51.40)	1.87 (47.4)
24	2.339 (59.40)	1.82 (46.2)	2.244 (57.00)	2.189 (55.60)	2.03 (51.6)

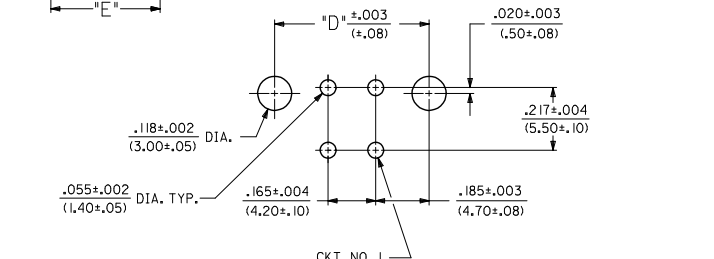
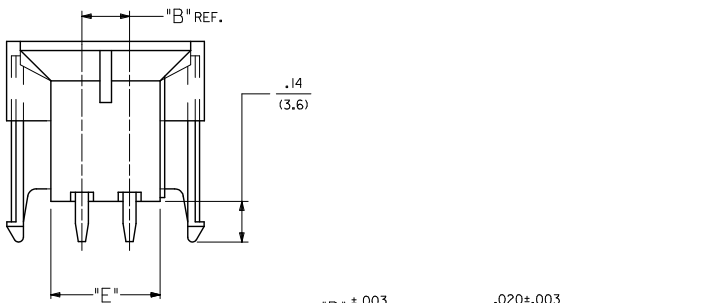
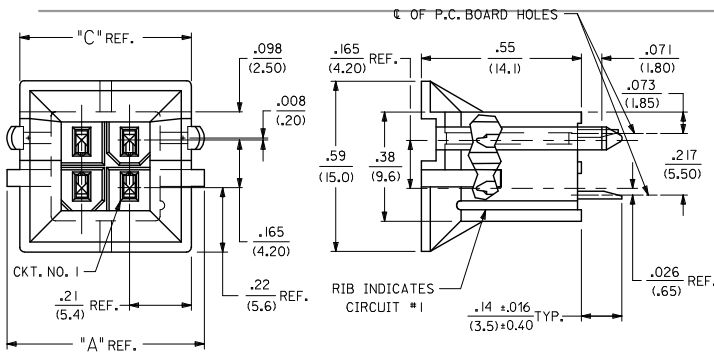
LEGEND:
 A - 42440 - * * * *
 BASE NUMBER
 CIRCUIT SIZE (02-24)
 PLATING (SEE NOTE 2.)
 HOUSING MAT'L. & OPTIONS (SEE NOTE 1.)



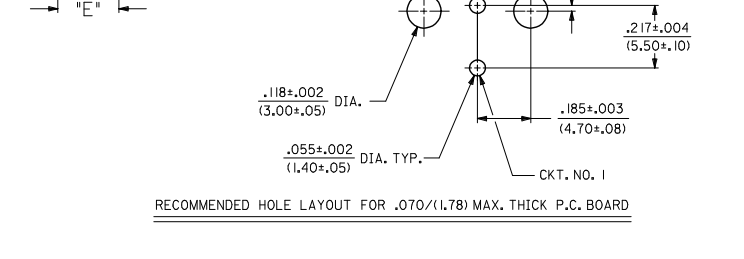
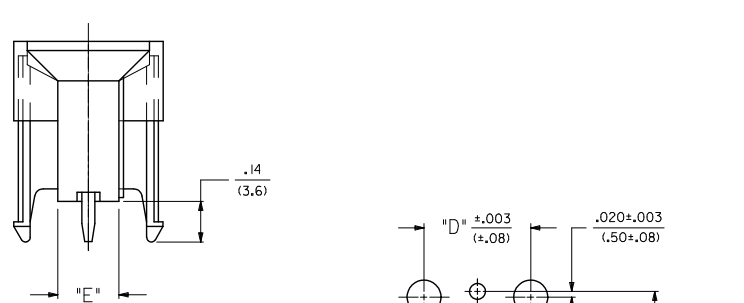
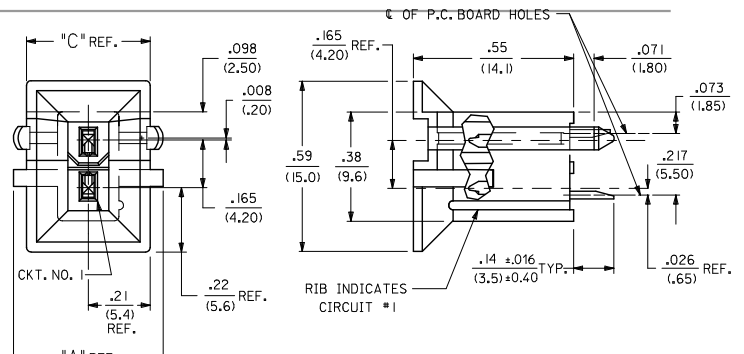
---22, ---23	42474---21, 5556-GS*P	94V-0	BRASS	GOLD
---12, ---13	42474---11, 5556-GS*P	94V-2	BRASS	TIN
---11	42474---11, 5556-S*P	94V-2	BRASS	TIN
---22, ---23, ---12, ---13,	A-42385---B2, ---B4	94V-0	BRASS	GOLD
---21	A-42385---A2, ---A4	94V-2	BRASS	TIN
---11	A-42385---B1	94V-0	BRASS	TIN
---11	A-42385---A1	94V-2	BRASS	TIN
VERT. HEADER A-42440	MATING CONNECTOR	HSG. MAT'L.	TERM. MAT'L.	PLATING
		MATING	CONNECTOR	FEATURES

ADD. 0.40 TOL. EC NO: UCP2015-0706 2017/08/20 DRAWING: NGUYEN CHKD: BELL 2017/08/20 APPR: SMITH 2017/09/05 Q5 REV	QUALITY SYMBOLS 	GENERAL TOLERANCES (UNLESS SPECIFIED) mm INCH 4 PLACES ± --- ± --- 3 PLACES ± --- ± .010 2 PLACES ± 0.25 ± .015 1 PLACE ± 0.38 ± --- ANGULAR ± 5°	DIMENSION STYLE IN/MM DRAWN BY: GEP DATE: 1989/04/06 CHECKED BY: RJF DATE: 1989/04/06 APPROVED BY: F SMITH DATE: 2011/02/11	SCALE: 4:1 DESIGN UNITS: METRIC THIRD ANGLE PROJECTION	MINI-FIT B.M.I. VERTICAL HEADER ASSY	MATERIAL NO. SEE CHART	DOCUMENT NO. SDA-42440-****	SHEET NO. 1 OF 4	
		DRAFT WHERE APPLICABLE MUST REMAIN WITHIN DIMENSIONS							
		THIS DRAWING CONTAINS INFORMATION THAT IS PROPRIETARY TO MOLEX INCORPORATED AND SHOULD NOT BE USED WITHOUT WRITTEN PERMISSION							
		SIZE C							

13 12 11 10 9 8 7 6 5 4 3 2 1



RECOMMENDED HOLE LAYOUT FOR .070/(1.78) MAX. THICK P.C. BOARD



RECOMMENDED HOLE LAYOUT FOR .070/(1.78) MAX. THICK P.C. BOARD

SEE SHEET 1 EC NO: UCP2013-0706 DRAWING NO: 2017/08/20 CHKD: BELL APPR: SMITH 2017/09/05	QUALITY SYMBOLS	GENERAL TOLERANCES (UNLESS SPECIFIED)	DIMENSION STYLE	SCALE	DESIGN UNITS	THIRD ANGLE PROJECTION
	4 PLACES ± --- ± --- 3 PLACES ± --- ± .010 2 PLACES ± 0.25 ± .015 1 PLACE ± 0.38 ± --- ANGULAR ± 5°	mm INCH DRAWN BY DATE GEP 1989/04/06 CHECKED BY DATE R J F 1989/04/06 APPROVED BY DATE F S M I T H 2011/02/11	IN/MM	1:1	METRIC	MINI-FIT B.M.I. VERTICAL HEADER ASSY
	DRAFT WHERE APPLICABLE MUST REMAIN WITHIN DIMENSIONS	MATERIAL NO. SEE CHART	DOCUMENT NO. SDA-42440-****	MOLEX INCORPORATED	SHEET NO. 2 OF 4	
	SIZE C	THIS DRAWING CONTAINS INFORMATION THAT IS PROPRIETARY TO MOLEX INCORPORATED AND SHOULD NOT BE USED WITHOUT WRITTEN PERMISSION				

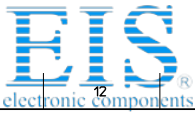
1b_frame_C.P.AM.T Rev. F 2009/06/18 12 11 10 9 8 7 6 5 4 3 2 1

NOTES:

- 1) MATERIAL:
 - HOUSING MATERIAL:
 - 1 = NYLON 6/6, UNFILLED UL 94V-2, COLOR: NATURAL
 - 2 = NYLON 6/6, UNFILLED UL 94V-0, COLOR: NATURAL
 - TERMINALS: BRASS
- 2) TERMINAL PLATING:
 - S = .000100/(0.00254) MIN, BRIGHT TIN OVER .000050/(0.00127) MIN, NICKEL
 - GS = .000030/(0.00076) MIN, SELECT GOLD AND .000100/(0.00254) MIN, SELECT MATTE TIN OVER .000050/(0.00127) MIN, NICKEL OVERALL
 - GS3 = .000050/(0.00127) MIN, SELECT GOLD AND .000100/(0.00254) MIN, SELECT MATTE TIN OVER .000050/(0.00127) MIN, NICKEL OVERALL
- 3) PRODUCT SPECIFICATION: PS-5556-002
- 4) PACKAGING: SEE CHARTS
- 5) 6-24 CIRCUIT PARTS MATE WITH MINI-FIT JR. RECEPTACLES 5557, 42474, 44516 AND HEADERS 42385, 2 AND 4 CIRCUIT PARTS MATE WITH 42385, 44516 AND 42474 ONLY.
- 6) PART ALLOWS FOR UP TO .100/(2.54) MISALIGNMENT WITH MATING RECEPTACLE IN ANY DIRECTION. SEE MATING CONNECTOR DRAWINGS FOR SPECIFIC ALLOWANCES.
- 7) CONNECTOR IS NOT DESIGNED FOR CURRENT SHARING.
- 8) CONNECTOR ASSEMBLIES ARE NOT BE MATED OR UNMATED WHILE CIRCUITS ARE LIVE.
- 9) RIB LOCATION IS DETERMINED BY MOLD DESIGN FOR MANUFACTURING EASE AND THE LOCATION DOES NOT AFFECT PART FUNCTION OR PERFORMANCE. LOCATION OF RIBS MAY VARY ON PARTS WITHIN MAUFACTURING LOT OR SHIPMENT. THIS DRAWING SHOWS TYPICAL RIB LOCATIONS.
- 10) PART CONFORMS TO CLASS "B" REQUIREMENTS OF COSMETIC SPECIFICATION PS-45499-002.

11) 12 CIRCUIT PARTS HAVE A SLOT BETWEEN CIRCUITS 7 AND 8.

SEE SHEET 1 EC NO: UCP2013-0706 DRAWING NO: 2017/08/20 CHKD: BELL APPR: SMITH 2017/09/05 Q5 REV	QUALITY SYMBOLS ▽=0 ▽=0 ▽=0	GENERAL TOLERANCES (UNLESS SPECIFIED)		DIMENSION STYLE		SCALE	DESIGN UNITS	THIRD ANGLE PROJECTION		
				IN/MM		1:1	METRIC			
		4 PLACES ± --- ± ---		DRAWN BY		DATE		MINI-FIT B.M.I. VERTICAL HEADER ASSY		
		3 PLACES ± --- ± .010		GEP		1989/04/06				
2 PLACES ± 0.25 ± .015		CHECKED BY		DATE		MOLEX INCORPORATED				
1 PLACE ± 0.38 ± ---		R.J.F.		1989/04/06						
ANGULAR ± 5 °		APPROVED BY		DATE		SDA-42440-**** SHEET NO. 3 OF 4				
DRAFT WHERE APPLICABLE MUST REMAIN WITHIN DIMENSIONS		F.S.M.I.T.H.		2011/02/11						
		MATERIAL NO.		DOCUMENT NO.						
		SEE CHART		SDA-42440-****						
		SIZE C		THIS DRAWING CONTAINS INFORMATION THAT IS PROPRIETARY TO MOLEX INCORPORATED AND SHOULD NOT BE USED WITHOUT WRITTEN PERMISSION						



Distributor of Molex Connector Corporation: Excellent Integrated System Limited

Datasheet of 0015246101 - CONN HEADER DL 10POS VERT TIN

Contact us: sales@integrated-circuit.com Website: www.integrated-circuit.com

J				I				H							
PLATING:	TIN (SEE NOTE 2 OPTION 'S')	DRAINS:	WITHOUT DRAIN HOLES	PLATING:	TIN (SEE NOTE 2 OPTION 'S')	DRAINS:	WITHOUT DRAIN HOLES	PLATING:	30 M.I. SELECT GOLD (SEE NOTE 2 OPTION 'GS')	DRAINS:	WITHOUT DRAIN HOLES	PLATING:	30 M.I. SELECT GOLD (SEE NOTE 2 OPTION 'GS')	DRAINS:	WITHOUT DRAIN HOLES
PEGS:	WITH PEGS	PEGS:	WITH PEGS	PEGS:	WITH PEGS	PEGS:	WITH PEGS	PEGS:	WITH PEGS	PEGS:	WITH PEGS	PEGS:	WITH PEGS	PEGS:	WITH PEGS
MAT'L:	94V-2 [NATURAL]	MAT'L:	94V-0 [NATURAL]	MAT'L:	94V-0 [NATURAL]	MAT'L:	94V-0 [NATURAL]	MAT'L:	94V-2 [NATURAL]	MAT'L:	94V-0 [NATURAL]	MAT'L:	94V-0 [NATURAL]	MAT'L:	94V-0 [NATURAL]
PACKAGING:	TRAY PER PK-42440-001	PACKAGING:	TRAY PER PK-42440-001	PACKAGING:	TRAY PER PK-42440-001	PACKAGING:	TRAY PER PK-42440-001	PACKAGING:	TRAY PER PK-42440-001	PACKAGING:	TRAY PER PK-42440-001	PACKAGING:	TRAY PER PK-42440-001	PACKAGING:	TRAY PER PK-42440-001
PART NO.	ENG NO.	CKTS		PART NO.	ENG NO.	CKTS		PART NO.	ENG NO.	CKTS		PART NO.	ENG NO.	CKTS	
NO EDP	A-42440-021I	-	2	NO EDP	A-42440-022I	-	2	NO EDP	A-42440-0212	-	2	NO EDP	A-42440-0222	-	2
15-24-6041	A-42440-041I	-	4	15-24-6042	A-42440-042I	-	4	15-28-6041	A-42440-0412	-	4	15-28-6042	A-42440-0422	-	4
15-24-6061	A-42440-061I	-	6	15-24-6062	A-42440-062I	-	6	15-28-6061	A-42440-0612	-	6	15-28-6062	A-42440-0622	-	6
NO EDP	A-42440-081I	-	8	NO EDP	A-42440-082I	-	8	NO EDP	A-42440-0812	-	8	NO EDP	A-42440-0822	-	8
15-24-6101	A-42440-101I	-	10	15-24-6102	A-42440-102I	-	10	15-28-6101	A-42440-1012	-	10	15-28-6102	A-42440-1022	-	10
15-24-6121	A-42440-121I	-	12	15-24-6122	A-42440-122I	-	12	15-28-6121	A-42440-1212	-	12	15-28-6122	A-42440-1222	-	12
15-24-6141	A-42440-141I	-	14	15-24-6142	A-42440-142I	-	14	15-28-6141	A-42440-1412	-	14	15-28-6142	A-42440-1422	-	14
15-24-6161	A-42440-161I	-	16	15-24-6162	A-42440-162I	-	16	15-28-6161	A-42440-1612	-	16	15-28-6162	A-42440-1622	-	16
15-24-6181	A-42440-181I	-	18	15-24-6182	A-42440-182I	-	18	15-28-6181	A-42440-1812	-	18	15-28-6182	A-42440-1822	-	18
NO EDP	A-42440-201I	-	20	NO EDP	A-42440-202I	-	20	NO EDP	A-42440-2012	-	20	NO EDP	A-42440-2022	-	20
NO EDP	A-42440-221I	-	22	NO EDP	A-42440-222I	-	22	NO EDP	A-42440-2212	-	22	NO EDP	A-42440-2222	-	22
15-24-6241	A-42440-241I	-	24	15-24-6242	A-42440-242I	-	24	15-28-6241	A-42440-2412	-	24	15-28-6242	A-42440-2422	-	24

G				F				E							
PLATING:	50 M.I. SELECT GOLD (SEE NOTE 2 OPTION 'GS3')	DRAINS:	WITHOUT DRAIN HOLES	PLATING:	50 M.I. SELECT GOLD (SEE NOTE 2 OPTION 'GS3')	DRAINS:	WITHOUT DRAIN HOLES	PLATING:		DRAINS:		PLATING:		DRAINS:	
PEGS:	WITH PEGS	PEGS:	WITH PEGS	PEGS:	WITH PEGS	PEGS:	WITH PEGS	PEGS:		PEGS:		PEGS:		PEGS:	
MAT'L:	94V-2 [NATURAL]	MAT'L:	94V-0 [NATURAL]	MAT'L:	94V-0 [NATURAL]	MAT'L:	94V-0 [NATURAL]	MAT'L:		MAT'L:		MAT'L:		MAT'L:	
PACKAGING:	TRAY PER PK-42440-001	PACKAGING:	TRAY PER PK-42440-001	PACKAGING:	TRAY PER PK-42440-001	PACKAGING:	TRAY PER PK-42440-001	PACKAGING:		PACKAGING:		PACKAGING:		PACKAGING:	
PART NO.	ENG NO.	CKTS		PART NO.	ENG NO.	CKTS		PART NO.	ENG NO.	CKTS		PART NO.	ENG NO.	CKTS	
NO EDP	A-42440-0213	-	2	NO EDP	A-42440-0223	-	2	NO EDP	-	-	-	2	NO EDP	-	-
NO EDP	A-42440-0413	-	4	NO EDP	A-42440-0423	-	4	NO EDP	-	-	-	4	NO EDP	-	-
NO EDP	A-42440-0613	-	6	NO EDP	A-42440-0623	-	6	NO EDP	-	-	-	6	NO EDP	-	-
NO EDP	A-42440-0813	-	8	NO EDP	A-42440-0823	-	8	NO EDP	-	-	-	8	NO EDP	-	-
NO EDP	A-42440-1013	-	10	NO EDP	A-42440-1023	-	10	NO EDP	-	-	-	10	NO EDP	-	-
NO EDP	A-42440-1213	-	12	NO EDP	A-42440-1223	-	12	NO EDP	-	-	-	12	NO EDP	-	-
NO EDP	A-42440-1413	-	14	NO EDP	A-42440-1423	-	14	NO EDP	-	-	-	14	NO EDP	-	-
NO EDP	A-42440-1613	-	16	NO EDP	A-42440-1623	-	16	NO EDP	-	-	-	16	NO EDP	-	-
NO EDP	A-42440-1813	-	18	NO EDP	A-42440-1823	-	18	NO EDP	-	-	-	18	NO EDP	-	-
NO EDP	A-42440-2013	-	20	NO EDP	A-42440-2023	-	20	NO EDP	-	-	-	20	NO EDP	-	-
NO EDP	A-42440-2213	-	22	NO EDP	A-42440-2223	-	22	NO EDP	-	-	-	22	NO EDP	-	-
NO EDP	A-42440-2413	-	24	NO EDP	A-42440-2423	-	24	NO EDP	-	-	-	24	NO EDP	-	-

SEE SHEET 1 EC NO: UCP2013-0706 2017/08/20 DRAWING/EN CHKD: BELL 2017/06/20 APPRO: SMITH Q5 REV	QUALITY SYMBOLS 	GENERAL TOLERANCES (UNLESS SPECIFIED) mm INCH 4 PLACES ± --- ± --- 3 PLACES ± --- ± .010 2 PLACES ± 0.25 ± .015 1 PLACE ± 0.38 ± --- ANGULAR ± 5°		DIMENSION STYLE IN/MM DRAWN BY: GEP DATE: 1989/04/06 CHECKED BY: RJF DATE: 1989/04/06 APPROVED BY: F SMITH DATE: 2011/02/11		SCALE: 1:1 DESIGN UNITS: METRIC THIRD ANGLE PROJECTION	TITLE: MINI-FIT B.M.I. VERTICAL HEADER ASSY		MATERIAL NO. SEE CHART DOCUMENT NO. SDA-42440-**** SHEET NO. 4 OF 4								
		DRAFT WHERE APPLICABLE MUST REMAIN WITHIN DIMENSIONS								THIS DRAWING CONTAINS INFORMATION THAT IS PROPRIETARY TO MOLEX INCORPORATED AND SHOULD NOT BE USED WITHOUT WRITTEN PERMISSION							