

Excellent Integrated System Limited

Stocking Distributor

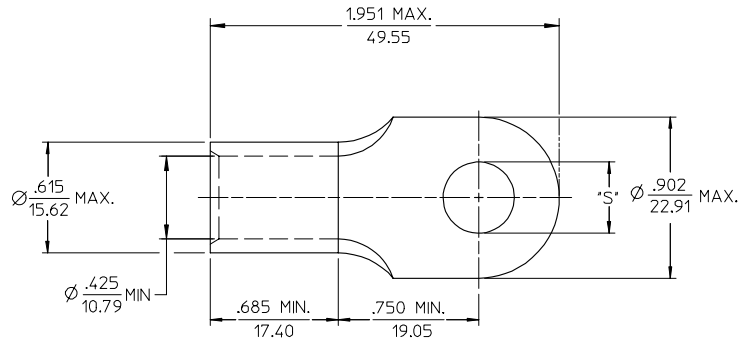
Click to view price, real time Inventory, Delivery & Lifecycle Information:

[Molex Connector Corporation](#)
[0191930612](#)

For any questions, you can email us directly:

sales@integrated-circuit.com

| 10 | 9 | 8 | 7 | 6 | 5 | 4 | 3 | 2 | 19193 |
|--------------|----------|-----------|-----------|-----------------|---|---|---|---|-------|
| MATERIAL NO. | ENG. NO. | STUD SIZE | ±.003 "S" | STOCK THICKNESS | | | | | |
| 191930326 | H-380-14 | 1/4 | .265 | .075 (1.90) | | | | | |
| 191930328 | H-380-56 | 5/16 | .328 | | | | | | |
| 191930612 | H-380-38 | 3/8 | .390 | | | | | | |
| 191930329 | H-380-76 | 7/16 | .453 | | | | | | |
| 191930325 | H-380-12 | 1/2 | .515 | | | | | | |



SALES DRAWING

- NOTE(S):
1. MATERIAL: COPPER
 2. PLATING: ELECTROPLATE TIN
 3. ALL DIMENSIONS IN INCHES/(MM)
 4. WIRE SIZE: 1/0 AWG
50 MM²
 5. PART IS ROHS COMPLIANT.

| | | | | | | | | |
|---|-------------------------------|---------------------------------------|----------|---|----------|--|------------------------|--|
| REV CHART & ADDED ROHS EC NO: ETC2007-0397 2007/01/27 DRW: NEHELE CHK: JMACNEIL APPR: JMACNEIL 2007/05/09 2007/05/10 | QUALITY SYMBOLS ▽=0 ▽=0 | GENERAL TOLERANCES (UNLESS SPECIFIED) | | DIMENSION STYLE | SCALE | DESIGN UNITS | THIRD ANGLE PROJECTION | |
| | | mm | INCH | IN/MM | 2:1 | INCH | | |
| | | 4 PLACES ±--- | ±--- | DRAWN BY | DATE | TITLE | | |
| | | 3 PLACES ±--- | ±.005 | GZ | 85/04/15 | RING TONGUE TERMINAL, VERSAKRIMP SERIES, 1/0 AWG | | |
| 2 PLACES ±0.13 | ±.01 | CHECKED BY | DATE | MATERIAL NO. | | | SHEET NO. | |
| 1 PLACE ±0.25 | ±--- | GZ | 85/04/15 | MOLEX INCORPORATED | | | 1 OF 1 | |
| ANGULAR ±1/2° | | APPROVED BY | DATE | DOCUMENT NO. | | | | |
| DRAFT WHERE APPLICABLE MUST REMAIN WITHIN DIMENSIONS | | GZ | 85/04/15 | SD-19193-008 | | | | |
| | | SEE CHART | | THIS DRAWING CONTAINS INFORMATION THAT IS PROPRIETARY TO MOLEX INCORPORATED AND SHOULD NOT BE USED WITHOUT WRITTEN PERMISSION | | | | |