

## **Excellent Integrated System Limited**

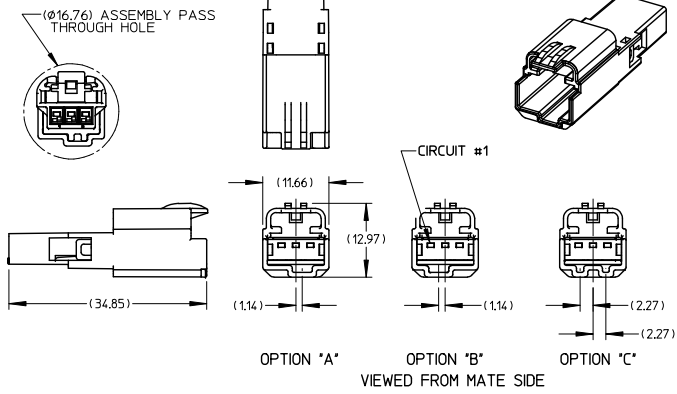
Stocking Distributor

Click to view price, real time Inventory, Delivery & Lifecycle Information:

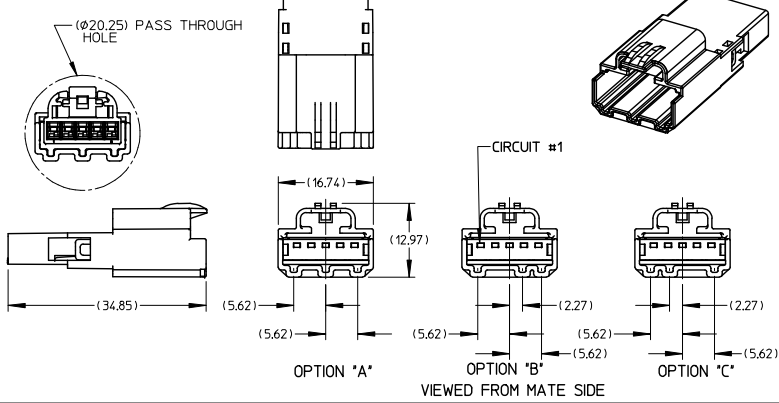
[Molex Connector Corporation](#)  
[0310671071](#)

For any questions, you can email us directly:  
[sales@integrated-circuit.com](mailto:sales@integrated-circuit.com)

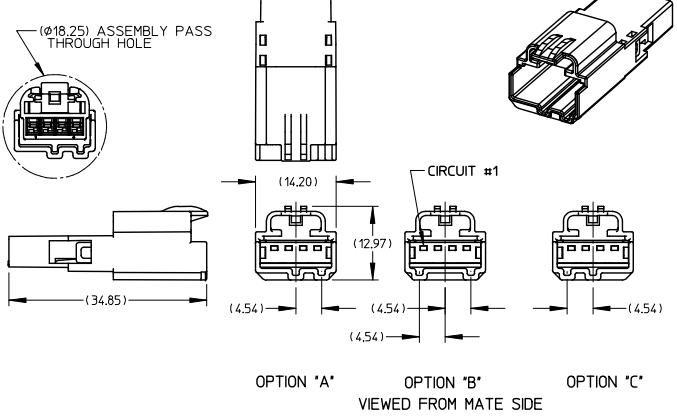
3 WAY MALE HOUSING ASSEMBLY WITHOUT XMAS TREE (VIEWED FROM MATE SIDE)



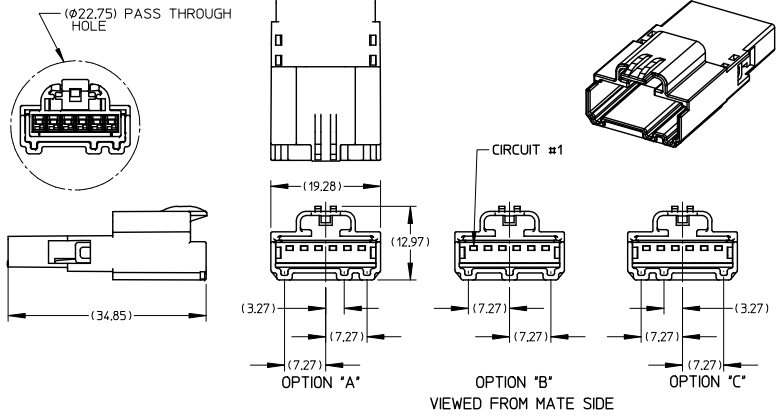
5 WAY MALE HOUSING ASSEMBLY WITHOUT XMAS TREE (VIEWED FROM MATE SIDE)



4 WAY MALE HOUSING ASSEMBLY WITHOUT XMAS TREE (VIEWED FROM MATE SIDE)



6 WAY MALE HOUSING ASSEMBLY WITHOUT XMAS TREE (VIEWED FROM MATE SIDE)

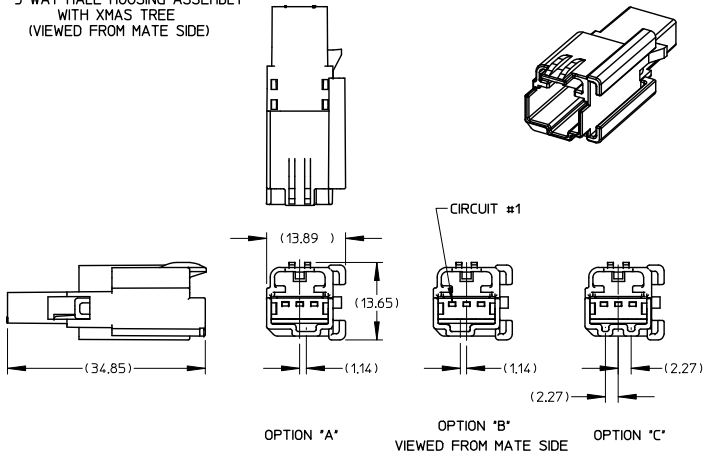


- NOTES:
1. MATERIAL: HOUSING: SPS GLASS FILLED, COLOR SEE CHART. TPA: PBT.
  2. PRODUCT SPECIFICATION: PS-31067-0001.
  3. PACKAGING SPECIFICATION: DRAWING PK-31301-067.
  4. MATES WITH: SEE SALES DRAWINGS SD-31109-003.

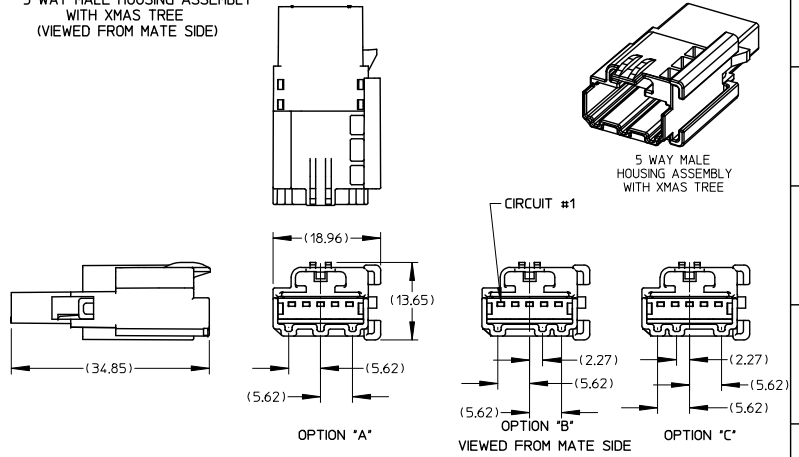
EC NO: HAU/2009-1155  
 DRW: THERFUR/09/05/12  
 CHK: TANGEL/09/05/14  
 APPR: MKNACK/2009/05/14

|   |  |       |                  |              |                                     |                    |
|---|--|-------|------------------|--------------|-------------------------------------|--------------------|
| QUALITY SYMBOLS   | GENERAL TOLERANCES (UNLESS SPECIFIED)                |       | SCALE            | DESIGN UNITS | THIRD ANGLE PROJECTION              | REVISE ON CAD ONLY |
|   | mm   | INCH  | 2:1              | METRIC       |                                     |                    |
| ▽-0   | 4 PLACES   | ±---  | DIMENSION STYLE  |              | MALE ASSEMBLY CHARTED SALES DRAWING |                    |
|   | 3 PLACES   | ±---  | MM ONLY          |              |                                     |                    |
| ▽-0   | 2 PLACES   | ±0.13 | DRAWN BY DATE    |              | MOLEX INCORPORATED                  |                    |
|   | 1 PLACE  | ±0.25 | DEMO 01/04/04    |              |                                     |                    |
|   | ANGULAR ± 1/2°                                       |       | CHECKED BY DATE  |              | SEE CHART                           |                    |
|   | DRAFT WHERE APPLICABLE MUST REMAIN WITHIN DIMENSIONS |       | APPROVED BY DATE |              |                                     |                    |
|   |  |       | MATERIAL NO.     |              | DOCUMENT NO.                        | SHEET NO.          |
|   |  |       |                  |              | SD-31110-003                        | 1 OF 3             |
| THIS DRAWING CONTAINS INFORMATION THAT IS PROPRIETARY TO MOLEX INCORPORATED AND SHOULD NOT BE USED WITHOUT WRITTEN PERMISSION |  |       |                  |              |                                     |                    |

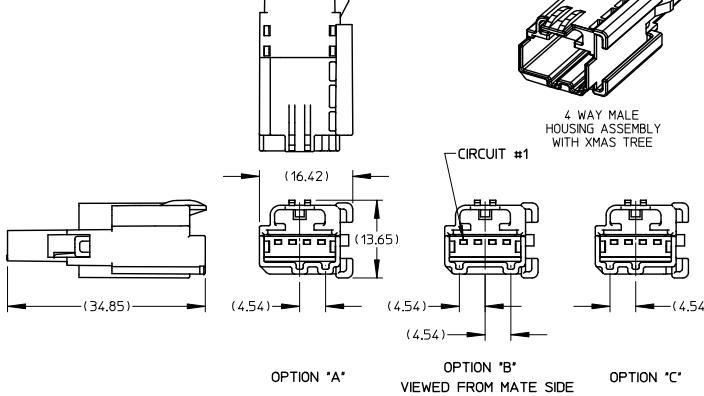
3 WAY MALE HOUSING ASSEMBLY WITH XMAS TREE (VIEWED FROM MATE SIDE)



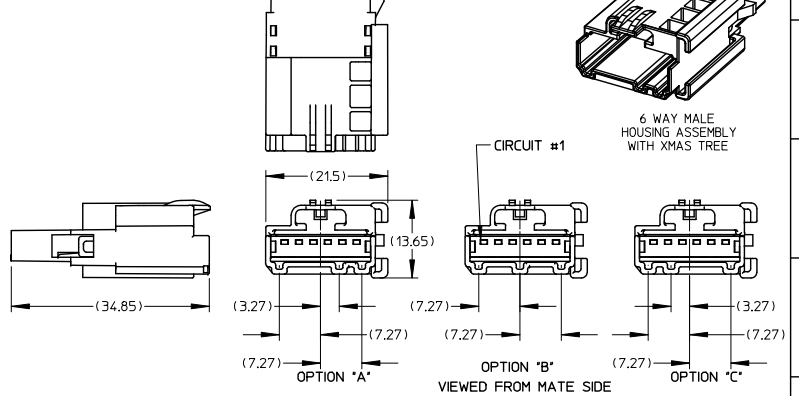
5 WAY MALE HOUSING ASSEMBLY WITH XMAS TREE (VIEWED FROM MATE SIDE)



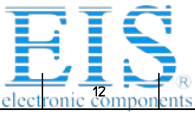
4 WAY MALE HOUSING ASSEMBLY WITH XMAS TREE (VIEWED FROM MATE SIDE)



6 WAY MALE HOUSING ASSEMBLY WITH XMAS TREE (VIEWED FROM MATE SIDE)



|                 |  |         |   |                     |   |                    |
|-----------------|--|---------|---|---------------------|---|--------------------|
| QUALITY SYMBOLS | GENERAL TOLERANCES (UNLESS SPECIFIED)                |         | SCALE 2:1   | DESIGN UNITS METRIC | THIRD ANGLE PROJECTION                    | REVISE ON CAD ONLY |
|                 |  | mm INCH | DIMENSION STYLE MM ONLY   |                     | TITLE MALE ASSEMBLY CHARTED SALES DRAWING |                    |
| ▽-0             | 4 PLACES ±---  | ±---    | DRAWN BY DEMEO  | DATE 01/04/04       | MATERIAL NO. MOLEX INCORPORATED           |                    |
| ▽.0             | 3 PLACES ±---  | ±---    | CHECKED BY  | DATE                | DOCUMENT NO. ENTER-PART SD-31110-003      |                    |
|                 | 2 PLACES ±0.13                                       | ±---    | APPROVED BY DATE  |                     | SHEET NO. 2 OF 3                          |                    |
|                 | 1 PLACE ±0.25  | ±---    | THIS DRAWING CONTAINS INFORMATION THAT IS PROPRIETARY TO MOLEX INCORPORATED AND SHOULD NOT BE USED WITHOUT WRITTEN PERMISSION |                     |   |                    |
|                 | ANGULAR ±1/2°  |         |   |                     |   |                    |
|                 | DRAFT WHERE APPLICABLE MUST REMAIN WITHIN DIMENSIONS |         |   |                     |   |                    |



13 12 11 10 9 8 7 6 5 4 3 2 31110

BILL OF MATERIALS

BILL OF MATERIALS

| ASSEMBLY PART NUMBER | DESCRIPTION                          | XMAS TREE ATTACHMENT FEATURE | PART NUMBER | DESCRIPTION  | COLOR           |
|----------------------|--------------------------------------|------------------------------|-------------|--------------|-----------------|
| 31067-1040           | 3 WAY MALE ASSEMBLY POLARIZATION 'A' | NO                           | 31112-0030  | MALE HOUSING | BLACK           |
|                      |                                      |                              | 31114-0030  | TPA          | NATURAL (WHITE) |
| 31067-1041           | 3 WAY MALE ASSEMBLY POLARIZATION 'B' | NO                           | 31112-0031  | MALE HOUSING | GRAY            |
|                      |                                      |                              | 31114-0030  | TPA          | NATURAL (WHITE) |
| 31067-1042           | 3 WAY MALE ASSEMBLY POLARIZATION 'C' | NO                           | 31112-0032  | MALE HOUSING | BROWN           |
|                      |                                      |                              | 31114-0030  | TPA          | NATURAL (WHITE) |
| 31067-1070           | 3 WAY MALE ASSEMBLY POLARIZATION 'A' | YES                          | 31112-1030  | MALE HOUSING | BLACK           |
|                      |                                      |                              | 31114-0030  | TPA          | NATURAL (WHITE) |
| 31067-1071           | 3 WAY MALE ASSEMBLY POLARIZATION 'B' | YES                          | 31112-1031  | MALE HOUSING | GRAY            |
|                      |                                      |                              | 31114-0030  | TPA          | NATURAL (WHITE) |
| 31067-1072           | 3 WAY MALE ASSEMBLY POLARIZATION 'C' | YES                          | 31112-1032  | MALE HOUSING | BROWN           |
|                      |                                      |                              | 31114-0030  | TPA          | NATURAL (WHITE) |
| 31068-1040           | 4 WAY MALE ASSEMBLY POLARIZATION 'A' | NO                           | 31166-0040  | MALE HOUSING | BLACK           |
|                      |                                      |                              | 31167-0040  | TPA          | NATURAL (WHITE) |
| 31068-1041           | 4 WAY MALE ASSEMBLY POLARIZATION 'B' | NO                           | 31166-0031  | MALE HOUSING | GRAY            |
|                      |                                      |                              | 31167-0040  | TPA          | NATURAL (WHITE) |
| 31068-1042           | 4 WAY MALE ASSEMBLY POLARIZATION 'C' | NO                           | 31166-0032  | MALE HOUSING | BROWN           |
|                      |                                      |                              | 31167-0040  | TPA          | NATURAL (WHITE) |
| 31068-1070           | 4 WAY MALE ASSEMBLY POLARIZATION 'A' | YES                          | 31166-1040  | MALE HOUSING | BLACK           |
|                      |                                      |                              | 31167-0040  | TPA          | NATURAL (WHITE) |
| 31068-1071           | 4 WAY MALE ASSEMBLY POLARIZATION 'B' | YES                          | 31166-1041  | MALE HOUSING | GRAY            |
|                      |                                      |                              | 31167-0040  | TPA          | NATURAL (WHITE) |
| 31068-1072           | 4 WAY MALE ASSEMBLY POLARIZATION 'C' | YES                          | 31166-1042  | MALE HOUSING | BROWN           |
|                      |                                      |                              | 31167-0040  | TPA          | NATURAL (WHITE) |

| ASSEMBLY PART NUMBER | DESCRIPTION                          | XMAS TREE ATTACHMENT FEATURE | PART NUMBER | DESCRIPTION  | COLOR           |
|----------------------|--------------------------------------|------------------------------|-------------|--------------|-----------------|
| 31072-1040           | 5 WAY MALE ASSEMBLY POLARIZATION 'A' | NO                           | 31169-0050  | MALE HOUSING | BLACK           |
|                      |                                      |                              | 31170-0050  | TPA          | NATURAL (WHITE) |
| 31072-1041           | 5 WAY MALE ASSEMBLY POLARIZATION 'B' | NO                           | 31169-0051  | MALE HOUSING | GRAY            |
|                      |                                      |                              | 31170-0050  | TPA          | NATURAL (WHITE) |
| 31072-1042           | 5 WAY MALE ASSEMBLY POLARIZATION 'C' | NO                           | 31169-0052  | MALE HOUSING | BROWN           |
|                      |                                      |                              | 31170-0050  | TPA          | NATURAL (WHITE) |
| 31072-1070           | 5 WAY MALE ASSEMBLY POLARIZATION 'A' | YES                          | 31169-1050  | MALE HOUSING | BLACK           |
|                      |                                      |                              | 31170-0050  | TPA          | NATURAL (WHITE) |
| 31072-1071           | 5 WAY MALE ASSEMBLY POLARIZATION 'B' | YES                          | 31169-1051  | MALE HOUSING | GRAY            |
|                      |                                      |                              | 31170-0050  | TPA          | NATURAL (WHITE) |
| 31072-1072           | 5 WAY MALE ASSEMBLY POLARIZATION 'C' | YES                          | 31169-1052  | MALE HOUSING | BROWN           |
|                      |                                      |                              | 31170-0050  | TPA          | NATURAL (WHITE) |
| 31073-1040           | 6 WAY MALE ASSEMBLY POLARIZATION 'A' | NO                           | 31172-0060  | MALE HOUSING | BLACK           |
|                      |                                      |                              | 31173-0060  | TPA          | NATURAL (WHITE) |
| 31073-1041           | 6 WAY MALE ASSEMBLY POLARIZATION 'B' | NO                           | 31172-0061  | MALE HOUSING | GRAY            |
|                      |                                      |                              | 31173-0060  | TPA          | NATURAL (WHITE) |
| 31073-1042           | 6 WAY MALE ASSEMBLY POLARIZATION 'C' | NO                           | 31172-0062  | MALE HOUSING | BROWN           |
|                      |                                      |                              | 31173-0060  | TPA          | NATURAL (WHITE) |
| 31073-1070           | 6 WAY MALE ASSEMBLY POLARIZATION 'A' | YES                          | 31172-1060  | MALE HOUSING | BLACK           |
|                      |                                      |                              | 31173-0060  | TPA          | NATURAL (WHITE) |
| 31073-1071           | 6 WAY MALE ASSEMBLY POLARIZATION 'B' | YES                          | 31172-1061  | MALE HOUSING | GRAY            |
|                      |                                      |                              | 31173-0060  | TPA          | NATURAL (WHITE) |
| 31073-1072           | 6 WAY MALE ASSEMBLY POLARIZATION 'C' | YES                          | 31172-1062  | MALE HOUSING | BROWN           |
|                      |                                      |                              | 31173-0060  | TPA          | NATURAL (WHITE) |

|  |                 |   |                               |                        |                                     |
|--|-----------------|---|-------------------------------|------------------------|-------------------------------------|
| EC NO: HAU2009-1155<br>DRW: THERFUR09/05/12<br>CHK: TANGEL009/05/14<br>APPR: MKNACK 2009/05/14<br>REV: DESCRIPTION | QUALITY SYMBOLS | GENERAL TOLERANCES (UNLESS SPECIFIED)   | SCALE 2:1 DESIGN UNITS METRIC | THIRD ANGLE PROJECTION | REVISE ON CAD ONLY                  |
|  | ▽-0             | 4 PLACES ± --- ± ---<br>3 PLACES ± --- ± ---<br>2 PLACES ± 0.13 ± ---<br>1 PLACE ± 0.25 ± --- | mm INCH                       | MM ONLY                | MALE ASSEMBLY CHARTED SALES DRAWING |
|  | ▽-0             | ANGULAR ± 1/2 °   | DRAWN BY DEMEO DATE 01/04/04  | CHECKED BY DATE        | MOLEX INCORPORATED                  |
|  | E1              | DRAFT WHERE APPLICABLE MUST REMAIN WITHIN DIMENSIONS  | APPROVED BY DATE              | MATERIAL NO. SEE CHART | DOCUMENT NO. SD-31110-003           |

1b\_frame\_C rev. A 11/01/98 12 11 10 9 8 7 6 5 4 3 2 1