

Excellent Integrated System Limited

Stocking Distributor

Click to view price, real time Inventory, Delivery & Lifecycle Information:

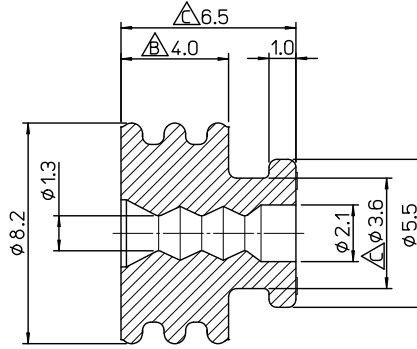
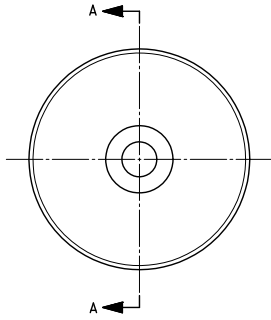
[Molex Connector Corporation](#)
[0359030096](#)

For any questions, you can email us directly:

sales@integrated-circuit.com

7 6 5 4 3 2 1

- NOTES
- 1. MATERIAL: LUBRICATED SILICONE RUBBER COLOR: BROWN
 - 2. APPLICABLE WIRE SIZE: AVS0.5~0.85SQ
 - 3. APPLICABLE TERMINAL: 35464-8000
 - 4. APPLICABLE SOCKET: 35842, 35843



SECTION A-A

<TABLE 1>

359030096	35903-0096
MATERIAL NO.	ORDER NO.

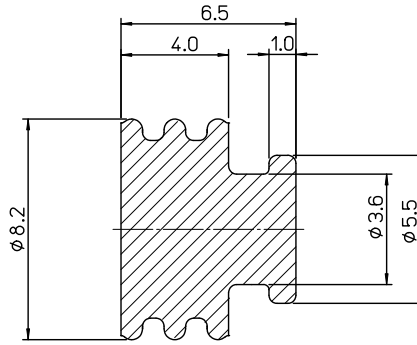
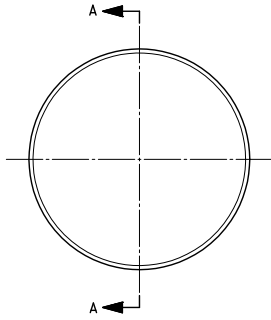
REVISED EC NO: KOR2010-0141 DRAWN BY: JDRWNEOKIM 2010/03/10 CHK'D BY: YANG 2010/03/10 APPR: YUNSIKKIM 2010/03/11 D2 REV DESCRIPTION	QUALITY SYMBOLS	GENERAL TOLERANCES (UNLESS SPECIFIED)	DIMENSION STYLE	SCALE	DESIGN UNITS	THIRD ANGLE PROJECTION																		
	▽=0 ▽=0	<table border="1"> <thead> <tr> <th></th> <th>mm</th> <th>INCH</th> </tr> </thead> <tbody> <tr> <td>4 PLACES</td> <td>± ---</td> <td>± ---</td> </tr> <tr> <td>3 PLACES</td> <td>± ---</td> <td>± ---</td> </tr> <tr> <td>2 PLACES</td> <td>± 0.1</td> <td>± ---</td> </tr> <tr> <td>1 PLACE</td> <td>± 0.2</td> <td>± ---</td> </tr> <tr> <td colspan="3">ANGULAR ± 1 °</td> </tr> </tbody> </table>		mm	INCH	4 PLACES	± ---	± ---	3 PLACES	± ---	± ---	2 PLACES	± 0.1	± ---	1 PLACE	± 0.2	± ---	ANGULAR ± 1 °			MM ONLY	5:1	METRIC	☉ □ THIRD ANGLE PROJECTION
		mm	INCH																					
	4 PLACES	± ---	± ---																					
3 PLACES	± ---	± ---																						
2 PLACES	± 0.1	± ---																						
1 PLACE	± 0.2	± ---																						
ANGULAR ± 1 °																								
	DRAFT WHERE APPLICABLE MUST REMAIN WITHIN DIMENSIONS	DRAWN BY: YSIKKIM 1999/05/26 CHECKED BY: BKCHOI 1999/05/26 APPROVED BY: CWLEE 1999/05/26	TITLE	WIRE SEAL FOR POSITIVE TERMINAL																				
		SEE TABLE 1	MATERIAL NO.	DOCUMENT NO.	MOLEX INCORPORATED SD-35903-0096																			
			SIZE A4	THIS DRAWING CONTAINS INFORMATION THAT IS PROPRIETARY TO MOLEX INCORPORATED AND SHOULD NOT BE USED WITHOUT WRITTEN PERMISSION																				

6 5 4 3 2 1

7 6 5 4 3 2 1

NOTES

- 1.MATERIAL:LUBRICATED SILICONE RUBBER
COLOR:BROWN
- 2.APPLICABLE SOCKET:35842



SECTION A-A

<TABLE 1>

359030109	35903-0109
MATERIAL NO.	ORDER NO.

NEW RELEASE EC NO: KTR2012-0022 DRWN:HM00N 2011/09/23 CHKD:BCY00N 2011/09/23 APPR:YUNSIKKIM 2011/11/03 REV: A	QUALITY SYMBOLS ▽=0 ▽=0	GENERAL TOLERANCES (UNLESS SPECIFIED)		DIMENSION STYLE MM ONLY		SCALE 5:1	DESIGN UNITS METRIC	THIRD ANGLE PROJECTION	
			mm	INCH	DRAWN BY YSIKKIM	DATE 1999/05/26	TITLE DUMMY SEAL		
		4 PLACES	± ---	± ---	CHECKED BY BKCHOI	DATE 1999/05/26	MOLEX INCORPORATED		
		3 PLACES	± ---	± ---	APPROVED BY YUNSIKKIM	DATE 2011/11/03	DOCUMENT NO. SD-35903-109	SHEET NO. 1 OF 1	
	2 PLACES	± 0.1	± ---	MATERIAL NO. SEE TABLE 1		THIS DRAWING CONTAINS INFORMATION THAT IS PROPRIETARY TO MOLEX INCORPORATED AND SHOULD NOT BE USED WITHOUT WRITTEN PERMISSION			
	1 PLACE	± 0.2	± ---	ANGULAR ± 1 °					
DRAFT WHERE APPLICABLE MUST REMAIN WITHIN DIMENSIONS									

6 5 4 3 2 1