



Distributor of Molex Connector Corporation: Excellent Integrated System Limited
Datasheet of 0382100105 - Connector Barrier Block Strip 5 Circuit 0.563" (14.30mm)

Contact us: sales@integrated-circuit.com Website: www.integrated-circuit.com

Excellent Integrated System Limited

Stocking Distributor

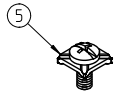
Click to view price, real time Inventory, Delivery & Lifecycle Information:

[Molex Connector Corporation](#)
[0382100105](#)

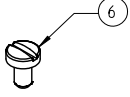
For any questions, you can email us directly:

sales@integrated-circuit.com

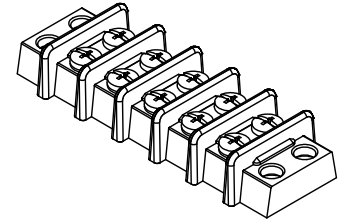
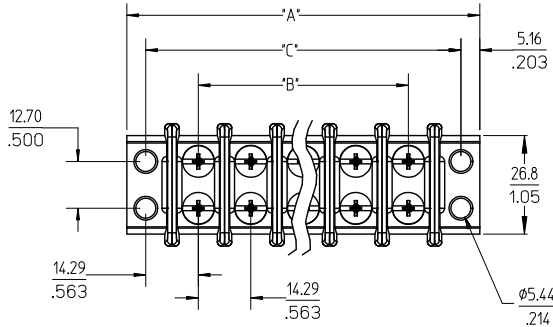
10 9 8 7 6 5 4 3 2 38210



REF. -50 OPT. SCREW
(WHERE APPLICABLE)

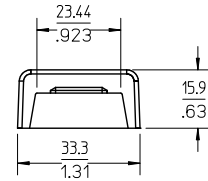
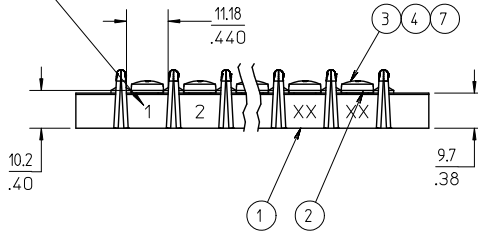


REF. -56 OPT. SCREW
(WHERE APPLICABLE)



5 CIRCUIT SHOWN

IMPRINTING FOR
OPTION -10A ONLY
(SEE NOTE 4)



NOTES:

1. MATERIAL: SEE TABLE
2. FINISHES: SEE TABLE
3. PRODUCT SPECIFICATION: NOT REQUIRED
4. IMPRINTING STYLE -10A (ONE SIDE)
IMPRINT TEXT TO BE .135" HEIGHT.
5. "XX" REFERS TO THE QUANTITY OF CIRCUITS.
6. ROHS COMPLIANT.

ITEM	QTY.	DESCRIPTION	MATERIAL	FINISH	REV	DESCRIPTION	QUALITY SYMBOLS	GENERAL TOLERANCES (UNLESS SPECIFIED)	DIMENSION STYLE	SCALE	DESIGN UNITS	THIRD ANGLE PROJECTION			
7	XX*2	SCREW #8-32X.312 PHLP STAINLESS (OPT-53-56)	STEEL	PASSIVATE		UPDATE SHEET 2 TABLE EC NO: WNA2010-0297 2009/10/29 DRWNS:ENGJMS 2009/12/01 CHKDC:YORK 2009/12/01 APPR:JMACNEIL 2009/12/01	▽=0 ▽=0	4 PLACES ± .005 ± .005	MM/IN	1:1	INCH	THIRD ANGLE PROJECTION			
6	XX*2	SCREW #8-32X.312 SLOT STAINLESS (OPT -56)	STEEL	PASSIVATE				3 PLACES ± .005 ± .005	DRAWN BY DATE	C. YORK 2004/11/22	TITLE	14.29MM [.563]	DOUBLE ROW	PHENOLIC BTS ASSEMBLY	
5	XX*2	SCREW #8-32X.312 PAN PHSZLN/BR/STEEL -50	STEEL	ZN, CLEAR CHROMATE				2 PLACES ± 0.13 ± .01	CHECKED BY DATE	G. ROBERTSON 2004/12/01	APPROVED BY DATE	G. ROBERTSON 2004/12/01	Molex	MOLEX INCORPORATED	
4	XX*2	SCREW #8-32X.312 BHD PHSZLN/BRASS -49	BRASS	NICKEL PLATE				1 PLACE ± 0.3 ± .01	ANGULAR ± 2 °	MATERIAL NO.	SEE SHEET 2	DOCUMENT NO.	SD-38210-001	SHEET NO.	1 OF 2
3	XX*2	SCREW, #8-32 X .312, BHD, PHIL-SLOT	STEEL	ZN, CLEAR CHROMATE				DRAFT WHERE APPLICABLE MUST REMAIN WITHIN DIMENSIONS							
2	XX	TERMINAL, EYELET, TWIN	BRASS	NICKEL PLATE				THIS DRAWING CONTAINS INFORMATION THAT IS PROPRIETARY TO MOLEX INCORPORATED AND SHOULD NOT BE USED WITHOUT WRITTEN PERMISSION							
1	1	INSULATOR, AS CUT	PHENOLIC	BLACK											

1b_frame_B_P_ME_T
Rev. D 2004/04/02

10 9 8 7 6 5 4 3 2 38210

QTY. OF CIRC. 'XX'	DIM. 'A'	DIM. 'B' (D)	DIM. 'C'	MATERIAL NO. (STANDARD)	MATERIAL NO. (-49 OPTION)	MATERIAL NO. (-50 OPTION)	MATERIAL NO. (-59 OPTION)	MATERIAL NO. (-49-59 OPTION)	MATERIAL NO. (-56 OPTION)	MATERIAL NO. (-53-56 OPTION)	MATERIAL NO. (-10A OPTION)	MATERIAL NO. (-10A-49 OPTION)	MATERIAL NO. (-10A-50 OPTION)
02	53.2 [2.09]	14.3 [.56]	42.8 [1.69]	382100102	382100202	382100302	382190067	382190247	382190191	382190063	382100502	- - -	- - -
03	67.5 [2.66]	28.6 [1.13]	57.1 [2.25]	382100103	382100203	382100303	382190069	382190248	382190057	382190195	382100503	- - -	- - -
04	81.7 [3.22]	42.8 [1.69]	71.4 [2.81]	382100104	382100204	382100304	382190080	382190083	382190081	- - -	382100504	- - -	- - -
05	96.0 [3.78]	57.1 [2.25]	85.7 [3.38]	382100105	382100205	382100305	382190090	382190092	382190132	- - -	382100505	- - -	- - -
06	110.3 [4.34]	71.4 [2.81]	100.0 [3.94]	382100106	382100206	382100306	382190109	382190110	382190221	- - -	382100506	382190155	382190156
07	124.6 [4.91]	85.7 [3.38]	114.3 [4.50]	382100107	382100207	382100307	382190200	382190130	382190203	382190129	382100507	- - -	- - -
08	138.9 [5.47]	100.0 [3.94]	128.5 [5.06]	382100108	382100208	382100308	382190011	- - -	382190010	- - -	382100508	- - -	- - -
09	153.2 [6.03]	114.3 [4.50]	142.8 [5.63]	382100109	382100209	382100309	- - -	- - -	382190192	- - -	382100509	- - -	- - -
10	167.5 [6.59]	128.5 [5.06]	157.1 [6.19]	382100110	382100210	382100310	382190202	382190200	382190022	- - -	382100510	- - -	- - -
11	181.8 [7.16]	142.8 [5.63]	171.4 [6.75]	382100111	382100211	382100311	382190047	- - -	382190255	- - -	382100511	- - -	- - -
12	196.0 [7.72]	157.1 [6.19]	185.7 [7.31]	382100112	382100212	382100312	382190030	- - -	382190056	- - -	382100512	- - -	- - -
13	210.3 [8.28]	171.4 [6.75]	200.0 [7.88]	382100113	382100213	382100313	- - -	- - -	- - -	- - -	382100513	- - -	- - -
14	224.6 [8.84]	185.7 [7.31]	214.3 [8.44]	382100114	382100214	382100314	- - -	- - -	- - -	382190032	382100514	- - -	- - -
15	238.9 [9.41]	200.0 [7.88]	228.6 [9.00]	382100115	382100215	382100315	- - -	- - -	- - -	- - -	382100515	- - -	- - -
16	253.2 [9.97]	214.3 [8.44]	242.8 [9.56]	382100116	382100216	382100316	- - -	- - -	382190254	- - -	382100516	- - -	- - -
17	267.5 [10.53]	228.6 [9.00]	257.1 [10.13]	382100117	382100217	382100317	- - -	- - -	- - -	- - -	382100517	- - -	- - -
18	281.8 [11.09]	242.8 [9.56]	271.4 [10.69]	382100118	382100218	382100318	- - -	- - -	382190198	- - -	382100518	- - -	- - -
19	296.1 [11.66]	257.1 [10.13]	285.7 [11.25]	382100119	382100219	382100319	- - -	- - -	- - -	- - -	382100519	- - -	- - -
20	310.3 [12.22]	271.4 [10.69]	300.0 [11.81]	382100120	382100220	382100320	- - -	- - -	- - -	- - -	382100520	- - -	- - -
21	324.6 [12.78]	285.7 [11.25]	314.3 [12.38]	382100121	382100221	382100321	- - -	- - -	- - -	- - -	382100521	- - -	- - -
22	338.9 [13.34]	300.0 [11.81]	328.6 [12.94]	382100122	382100222	382100322	- - -	- - -	- - -	- - -	382100522	- - -	- - -
23	353.2 [13.91]	314.3 [12.38]	342.9 [13.50]	382100123	382100223	382100323	- - -	- - -	- - -	- - -	382100523	- - -	- - -
24	367.5 [14.47]	328.6 [12.94]	357.1 [14.06]	382100124	382100224	382100324	- - -	- - -	- - -	- - -	382100524	- - -	- - -
25	381.8 [15.03]	342.9 [13.50]	371.4 [14.63]	382100125	382100225	382100325	- - -	- - -	- - -	- - -	382100525	- - -	- - -
26	396.1 [15.59]	357.1 [14.06]	385.7 [15.19]	382100126	382100226	382100326	- - -	- - -	- - -	- - -	382100526	- - -	- - -
27	410.4 [16.16]	371.4 [14.63]	400.0 [15.75]	382100127	382100227	382100327	- - -	- - -	- - -	- - -	382100527	- - -	- - -
28	424.7 [16.72]	385.7 [15.19]	414.3 [16.31]	382100128	382100228	382100328	- - -	- - -	- - -	- - -	382100528	- - -	- - -
29	439.0 [17.28]	400.0 [15.75]	428.6 [16.87]	382100129	382100229	382100329	- - -	- - -	- - -	- - -	382100529	- - -	- - -
30	453.3 [17.85]	414.3 [16.31]	442.9 [17.44]	382100130	382100230	382100330	- - -	- - -	- - -	- - -	382100530	- - -	- - -

UPDATE TABLE EC NO: WNA2010-0297 DRAWN: ENCLMS 2009/10/29 CHECKED: CHKDC:YORK 2009/12/01 APPR: JMA:NEIL 2009/12/01	QUALITY SYMBOLS ▽=0 ▽=0	GENERAL TOLERANCES (UNLESS SPECIFIED)		DIMENSION STYLE MM/IN		SCALE 1:1	DESIGN UNITS INCH	THIRD ANGLE PROJECTION	
		4 PLACES ± .005 ± .005 3 PLACES ± .005 ± .005 2 PLACES ± 0.13 ± .01 1 PLACE ± 0.3 ± .01	mm INCH ± .005 ± .005 ± 0.13 ± .01 ± 0.3 ± .01	DRAWN BY C. YORK	DATE 2004/11/22	TITLE 14.29MM [.563] DOUBLE ROW PHENOLIC BTS ASSEMBLY			
		ANGULAR ± 2°		CHECKED BY G. ROBERTSON	DATE 2004/12/01	MATERIAL NO. SEE CHART			
		DRAFT WHERE APPLICABLE MUST REMAIN WITHIN DIMENSIONS		APPROVED BY G. ROBERTSON	DATE 2004/12/01	MOLEX INCORPORATED DOCUMENT NO. SD-38210-001			
		SIZE B		THIS DRAWING CONTAINS INFORMATION THAT IS PROPRIETARY TO MOLEX INCORPORATED AND SHOULD NOT BE USED WITHOUT WRITTEN PERMISSION				SHEET NO. 2 OF 2	

9 8 7 6 5 4 3 2 1