

## Excellent Integrated System Limited

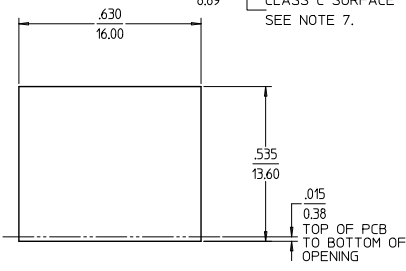
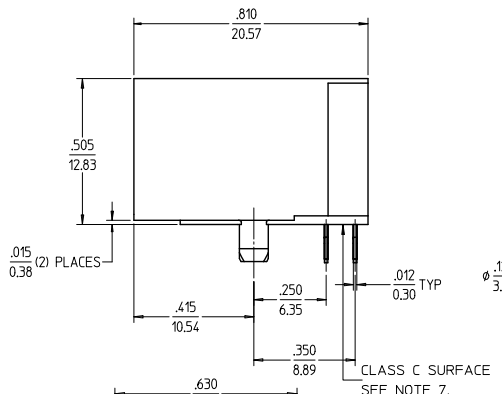
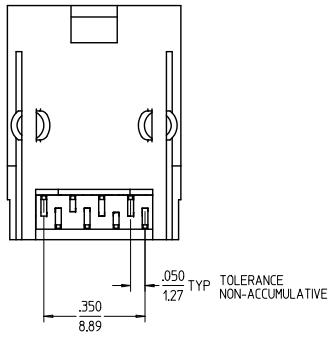
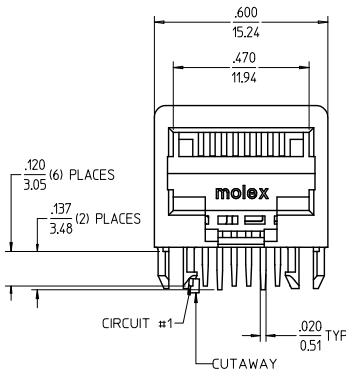
Stocking Distributor

Click to view price, real time Inventory, Delivery & Lifecycle Information:

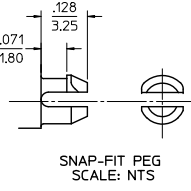
[Molex Connector Corporation](#)  
[0440500007](#)

For any questions, you can email us directly:

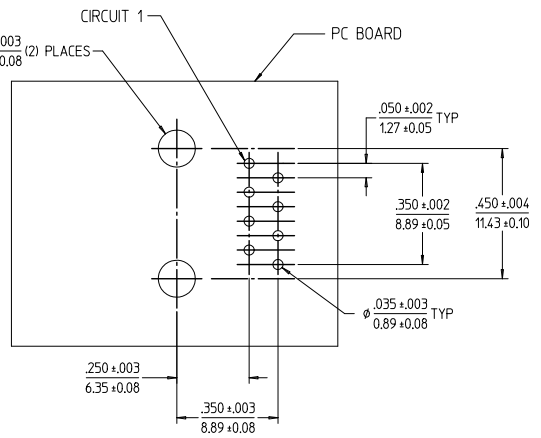
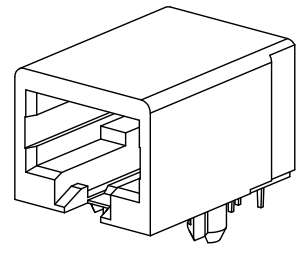
[sales@integrated-circuit.com](mailto:sales@integrated-circuit.com)



RECOMMENDED PANEL OPENING



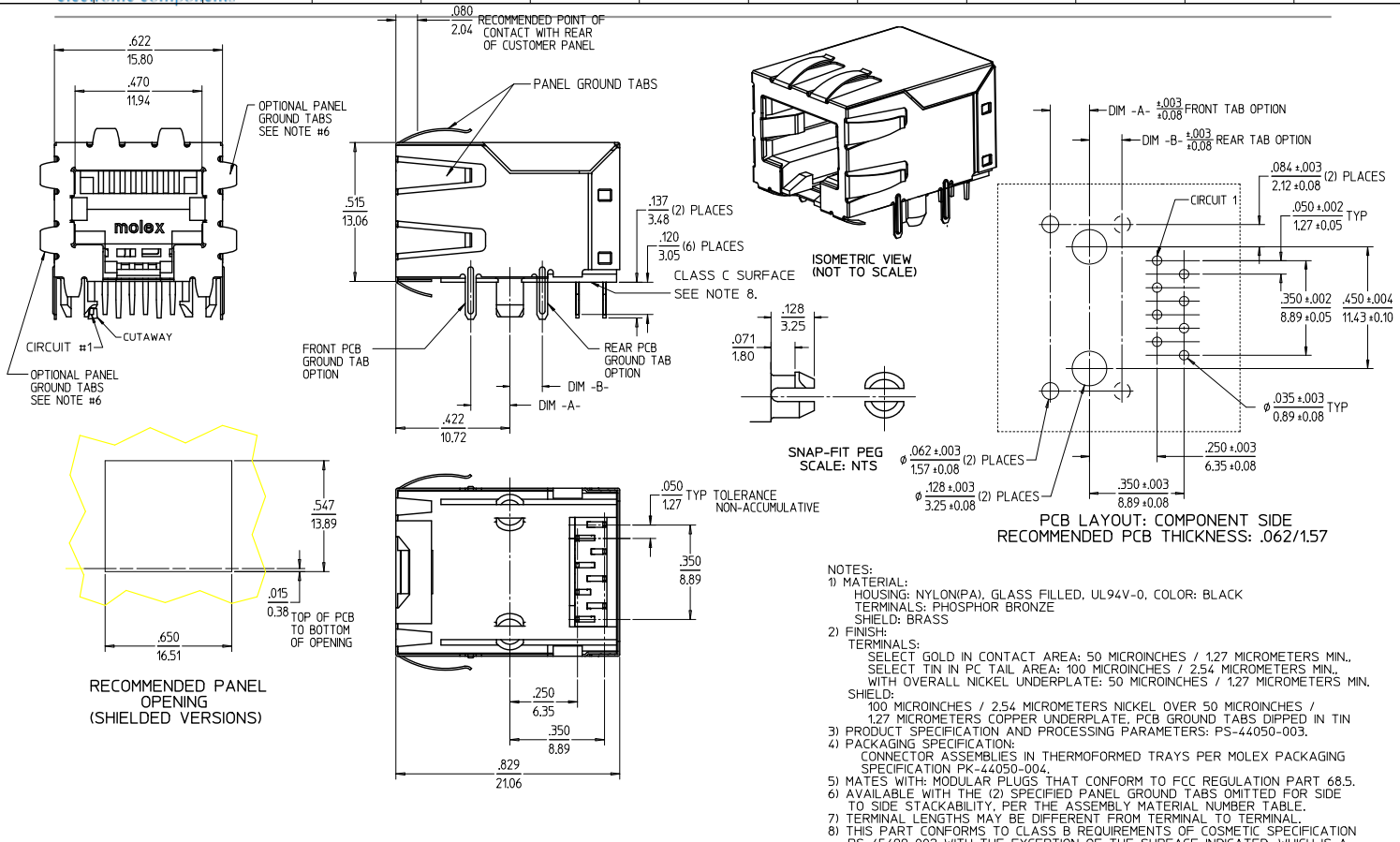
SNAP-FIT PEG SCALE: NTS



PCB LAYOUT: COMPONENT SIDE  
RECOMMENDED PCB THICKNESS: .062/1.57

- NOTES:**  
 1) MATERIAL:  
 HOUSING: NYLON(PA), GLASS FILLED, UL94V-0, COLOR: BLACK  
 TERMINALS: PHOSPHOR BRONZE  
 2) FINISH:  
 TERMINALS:  
 SELECT GOLD IN CONTACT AREA: 50 MICROINCHES / 1.27 MICROMETERS MIN.  
 SELECT MATTE TIN IN PC TAIL AREA: 100 MICROINCHES / 2.54 MICROMETERS MIN.  
 WITH OVERALL NICKEL UNDERPLATE: 50 MICROINCHES / 1.27 MICROMETERS MIN.  
 3) PRODUCT SPECIFICATION AND PROCESSING PARAMETERS: PS-44050-003.  
 4) PACKAGING SPECIFICATION:  
 CONNECTOR ASSEMBLIES IN THERMOFORMED TRAYS PER MOLEX PACKAGING SPECIFICATION PK-44050-004.  
 5) MATES WITH MODULAR PLUGS THAT CONFORM TO FCC REGULATION PART 68.5.  
 6) TERMINAL LENGTHS MAY BE DIFFERENT FROM TERMINAL TO TERMINAL.  
 7) THIS PART CONFORMS TO CLASS B REQUIREMENTS OF COSMETIC SPECIFICATION PS-45499-002 WITH THE EXCEPTION OF THE SURFACE INDICATED, WHICH IS A CLASS C SURFACE.

CHANGE TO CAT 5 EC NO: UCP2011-0143 DRW: JAGUILAR 2010/07/16 CHKD: BELL 2010/07/16 APPROV: SMITH 2010/07/22	QUALITY SYMBOLS ▽=0 ▽=0 ▽=0	GENERAL TOLERANCES (UNLESS SPECIFIED)		DIMENSION STYLE IN/MM		SCALE 4:1	DESIGN UNITS INCH	THIRD ANGLE PROJECTION	
		mm	INCH	DRAWN BY MARANTO	DATE 98/04/06	TITLE CATEGORY 5 MODULAR JACK ASSEMBLIES, SINGLE PORT			
E3	REV	4 PLACES ± --- ± ---	3 PLACES ± --- ± .010	2 PLACES ± 0.25 ± ---	1 PLACE ± --- ± ---	APPROVED BY ROBERTS	DATE 98/04/06	MOLEX INCORPORATED	
		ANGULAR ± 1/2°		MATERIAL NO. 440500001		DOCUMENT NO. SD-44050-002		SHEET NO. 1 OF 2	
DRAFT WHERE APPLICABLE MUST REMAIN WITHIN DIMENSIONS		THIS DRAWING CONTAINS INFORMATION THAT IS PROPRIETARY TO MOLEX INCORPORATED AND SHOULD NOT BE USED WITHOUT WRITTEN PERMISSION							



ASSEMBLY MATERIAL NUM	DIM -A-	DIM -B-	PANEL GROUND TAB OPTION
440500007	.120/3.05	N/A	ALL
440500002	.145/3.68	N/A	ALL
440500006	.180/4.57	N/A	ALL
440500003	N/A	.120/3.05	ALL
440500009	.120/3.05	N/A	SEE NOTE #6
440500004	.145/3.68	N/A	SEE NOTE #6
440500008	.180/4.57	N/A	SEE NOTE #6
440500005	N/A	.120/3.05	SEE NOTE #6

QUALITY SYMBOLS	GENERAL TOLERANCES (UNLESS SPECIFIED)		DIMENSION STYLE		SCALE	DESIGN UNITS	THIRD ANGLE PROJECTION
	mm	INCH	IN/MM	DATE	4:1	INCH	
▽=0	4 PLACES ±---	±---	DRAWN BY	DATE	CATEGORY 5 MODULAR JACK ASSEMBLIES, SINGLE PORT		
▽=0	3 PLACES ±---	±.010	CHECKED BY	DATE			
▽=0	2 PLACES ±0.25	±---	APPROVED BY	DATE	MOLEX INCORPORATED		
▽=0	1 PLACE ±---	±---	ROBERTS	98/04/06			
	ANGULAR ±1/2°		MATERIAL NO.	DOCUMENT NO.	SD-44050-002		
	DRAFT WHERE APPLICABLE MUST REMAIN WITHIN DIMENSIONS		SEE CHART		SHEET NO. 2 OF 2		