

Excellent Integrated System Limited

Stocking Distributor

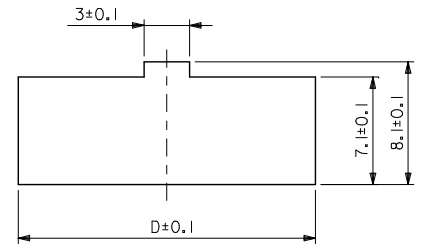
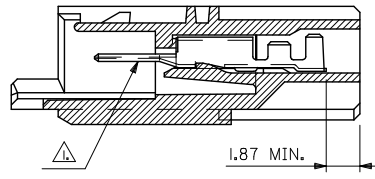
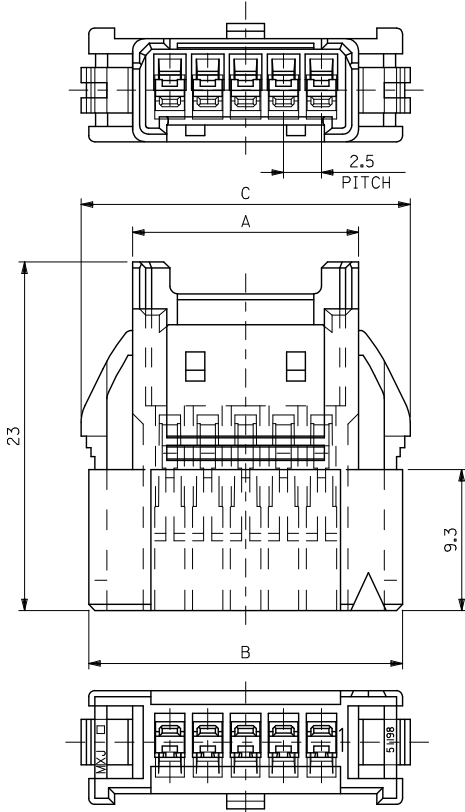
Click to view price, real time Inventory, Delivery & Lifecycle Information:

[Molex Connector Corporation](#)
[0511980200](#)

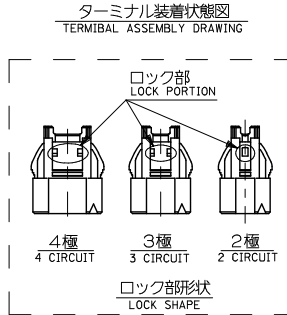
For any questions, you can email us directly:

sales@integrated-circuit.com

CONFIDENTIAL



参考パネルスロット寸法
PANEL SLOT DIM.(REF.)
(パネル厚: 0.8 ~ 2.0)
(THICKNESS : 0.8 ~ 2.0)



注記
NOTES.

- 適合端子 : 50837-8*00
APPLICABLE TERMINAL
- 本図は、5極を示す。
5 CIRCUIT VERSION IS SHOWN
IN THIS DRAWING.
- ハウジングは、パネル打ち抜き側から
挿入すること。
INSERT HOUSING FROM PUNCH
SIDE OF PANEL

44.6	46.7	45.7	39.9	51198-1500	15
42.1	44.2	43.2	37.4	-1400	14
39.6	41.7	40.7	34.9	-1300	13
37.1	39.2	38.2	32.4	-1200	12
32.1	34.2	33.2	27.4	-1000	10
29.6	31.7	30.7	24.9	-0900	9
27.1	29.2	28.2	22.4	-0800	8
24.6	26.7	25.7	19.9	-0700	7
22.1	24.2	23.2	17.4	-0600	6
19.6	21.7	20.7	14.9	-0500	5
17.1	19.2	18.2	12.4	-0400	4
14.6	16.7	15.7	9.9	-0300	3
12.1	14.2	13.2	7.4	51198-0200	2
D	C	B	A	製品番号 MATERIAL NO.	NO. OF CIRCUIT

MATERIAL

ポリエステル(PBT) POLYESTER
色:白 COLOR : WHITE
UL94V-0

REVISED IEC NO. J2016-0730 DRAWN:KOBAYASHI CHKD:SAKIYAMA APPR:IKANEKO 2016/02/02 2016/02/02 2016/02/22	GENERAL TOLERANCES (UNLESS SPECIFIED)			DIMENSION STYLE		SCALE	DESIGN UNITS	THIRD ANGLE PROJECTION	
	0.25 UNDER	UNDER	±0.03	MM ONLY		4:1	METRIC	◎ □	
	0.25 OVER	0.5 UNDER	±0.05	DRAWN BY		DATE	TITLE		
	0.5 OVER	1.0 UNDER	±0.1	M. YAGI		1998/05/14	2.5 WIRE TO BOARD CONN. PANEL MOUNT HSG		
	1.0 OVER	10 UNDER	±0.2	CHECKED BY		DATE	DOCUMENT NO.		
10 OVER	30 UNDER	±0.25	Y. ITO		1998/05/14	SD-51198-002			
30 OVER		±0.3	APPROVED BY		DATE	SHEET NO.			
ANGULAR	±3 °		HIKESUGI		1998/05/14	1 OF 1			
DRAFT WHERE APPLICABLE MUST REMAIN WITHIN DIMENSIONS			SIZE	SEE CHART					
			A3	THIS DRAWING CONTAINS INFORMATION THAT IS PROPRIETARY TO MOLEX ELECTRONIC TECHNOLOGIES, LLC AND SHOULD NOT BE USED WITHOUT WRITTEN PERMISSION					