

Excellent Integrated System Limited

Stocking Distributor

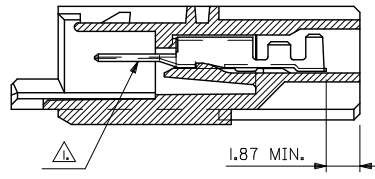
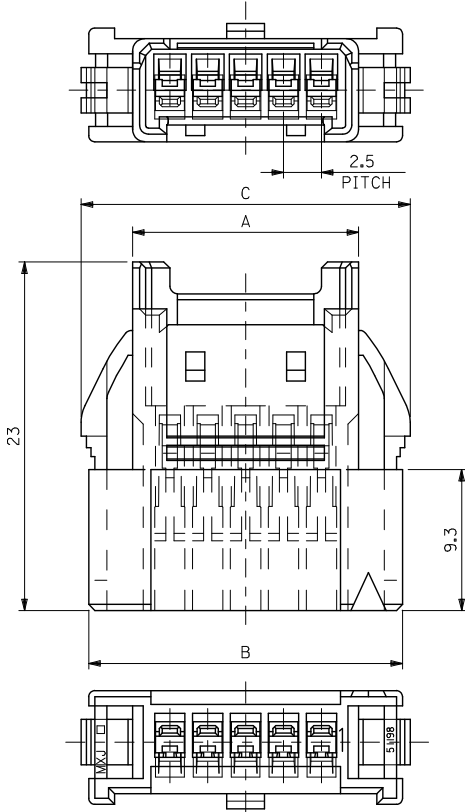
Click to view price, real time Inventory, Delivery & Lifecycle Information:

[Molex Connector Corporation](#)
[0511980300](#)

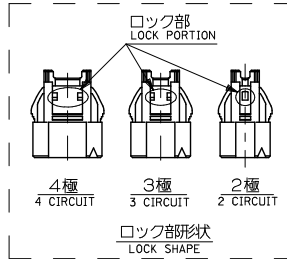
For any questions, you can email us directly:

sales@integrated-circuit.com

CONFIDENTIAL

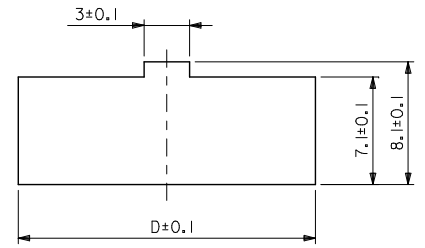


ターミナル装着状態図
TERMINAL ASSEMBLY DRAWING



注記
NOTES.

- 1. 適合端子 : 50837-8*00
APPLICABLE TERMINAL
- 2. 本図は、5種を示す。
5 CIRCUIT VERSION IS SHOWN
IN THIS DRAWING.
- 3. ハウジングは、パネル打ち抜き側から
挿入すること。
INSERT HOUSING FROM PUNCH
SIDE OF PANEL



参考/パネルスロット寸法
PANEL SLOT DIM.(REF.)
(パネル厚: 0.8 ~ 2.0)
(THICKNESS : 0.8 ~ 2.0)

44.6	46.7	45.7	39.9	51198-1500	15
42.1	44.2	43.2	37.4	-1400	14
39.6	41.7	40.7	34.9	-1300	13
37.1	39.2	38.2	32.4	-1200	12
32.1	34.2	33.2	27.4	-1000	10
29.6	31.7	30.7	24.9	-0900	9
27.1	29.2	28.2	22.4	-0800	8
24.6	26.7	25.7	19.9	-0700	7
22.1	24.2	23.2	17.4	-0600	6
19.6	21.7	20.7	14.9	-0500	5
17.1	19.2	18.2	12.4	-0400	4
14.6	16.7	15.7	9.9	-0300	3
12.1	14.2	13.2	7.4	51198-0200	2
D	C	B	A	製品番号 MATERIAL NO.	NO. OF CIRCUIT

MATERIAL

ポリエステル(PBT) POLYESTER
色:白 COLOR : WHITE
UL94V-0

REVISED EC NO. J2016-0730 DRAWN:KOBAYASHI CHKD:SAKIYAMA APPR:IKANEKO 2016/02/02 2016/02/02 2016/02/22	GENERAL TOLERANCES (UNLESS SPECIFIED)		DIMENSION STYLE MM ONLY		SCALE 4:1	DESIGN UNITS METRIC	THIRD ANGLE PROJECTION
	0.25 UNDER	UNDER	±0.03	DRAWN BY M. YAGI	DATE 1998/05/14	2.5 WIRE TO BOARD CONN. PANEL MOUNT HSG molex	
	0.25 OVER	0.5 UNDER	±0.05	CHECKED BY Y. ITO	DATE 1998/05/14		
	0.5 OVER	1.0 UNDER	±0.1	APPROVED BY HIKESUGI	DATE 1998/05/14	DOCUMENT NO. SD-51198-002	SHEET NO. 1 OF 1
	1.0 OVER	10 UNDER	±0.2	SEE CHART		THIS DRAWING CONTAINS INFORMATION THAT IS PROPRIETARY TO MOLEX ELECTRONIC TECHNOLOGIES, LLC AND SHOULD NOT BE USED WITHOUT WRITTEN PERMISSION	
10 OVER	30 UNDER	±0.25					
30 OVER		±0.3					
ANGULAR	±3 °						
DRAFT WHERE APPLICABLE MUST REMAIN WITHIN DIMENSIONS			SIZE A3				