

Excellent Integrated System Limited

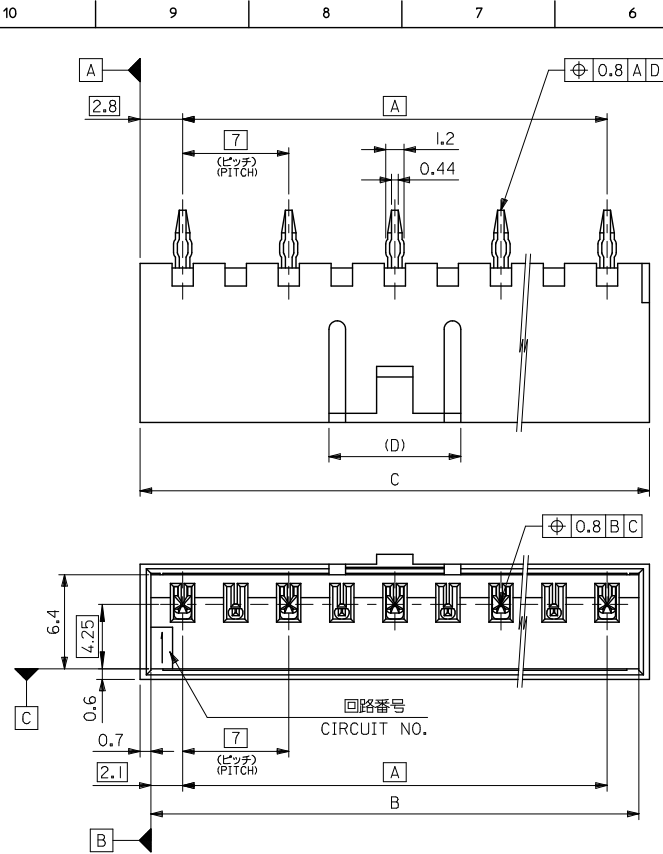
Stocking Distributor

Click to view price, real time Inventory, Delivery & Lifecycle Information:

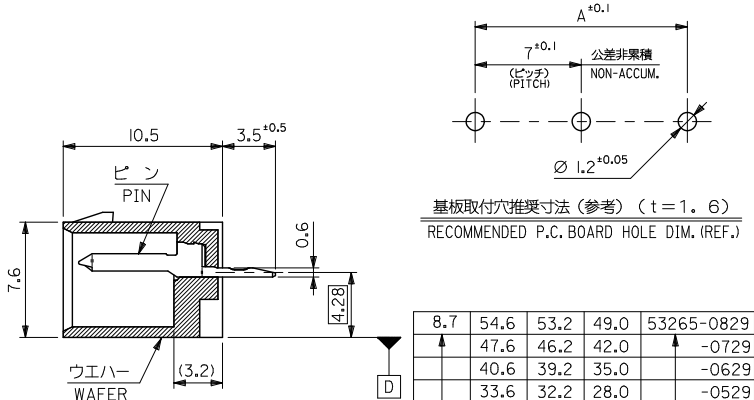
[Molex Connector Corporation](#)
[0532650329](#)

For any questions, you can email us directly:

sales@integrated-circuit.com



- 注記 NOTES**
1. 嵌合相手: 51067 シリーズ
MATE WITH : 51067 SERIES
 2. 材質
MATERIAL
ウエハー : PBTP (ガラス15%入り)、UL94V-0
WAFER : PBTP (G.F 15%), UL94V-0
ピン : 黄銅、ニッケル下地 錫メッキ (t=0.25μ)
PIN : BRASS, TIN OVER NICKEL PLATING (t=0.25μ)
 3. 本製品は53265-***20の鉛フリー品である。
THIS PRODUCT IS LEAD FREE OF 53265-***20.



8.7	54.6	53.2	49.0	53265-0829	8
	47.6	46.2	42.0	-0729	7
	40.6	39.2	35.0	-0629	6
	33.6	32.2	28.0	-0529	5
	26.6	25.2	21.0	-0429	4
8.7	19.6	18.2	14.0	-0329	3
6.1	12.6	11.2	7.0	53265-0229	2
(D)	C	B	A	53265-***29	
				TRAY PACKAGE	CKT. 種数
				ORDER No. オート-番号	

REVISED EC NO. J2009-1054 DRAWN BY CHIKUHYALINA APPROVED BY MUKITA	GENERAL TOLERANCES (UNLESS SPECIFIED)		DIMENSION STYLE MM ONLY		SCALE ---	MODEL NO. 53265-***29
	10 UNDER	±0.2	DRAWN BY Y. WADA	DATE '04/04/22	TITLE 7.0 WIRE TO BOARD CONN. WAFER ASS'Y (ST.) -LEAD FREE-	DESIGN UNITS METRIC
	10 OVER 30 UNDER	±0.25	CHECKED BY M. SASAO	DATE '04/04/22	APPROVED BY M. SASAO	DATE '04/04/22
	30 OVER	±0.3	MATERIAL NO. SEE TABLE		DOCUMENT NO. SD-53265-005	THIRD ANGLE PROJECTION
ANGULAR ±3°		DRAFT WHERE APPLICABLE MUST REMAIN WITHIN DIMENSIONS		MOLEX INCORPORATED		SHEET NO. 1 OF 1
SIZE A3		THIS DRAWING CONTAINS INFORMATION THAT IS PROPRIETARY TO MOLEX INCORPORATED AND SHOULD NOT BE USED WITHOUT WRITTEN PERMISSION				