

## Excellent Integrated System Limited

Stocking Distributor

Click to view price, real time Inventory, Delivery & Lifecycle Information:

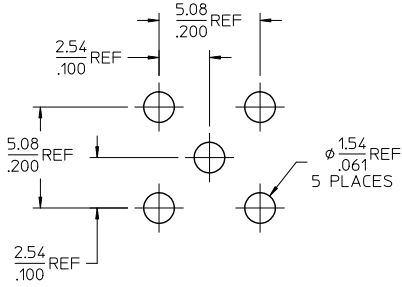
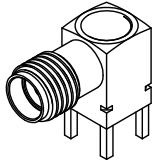
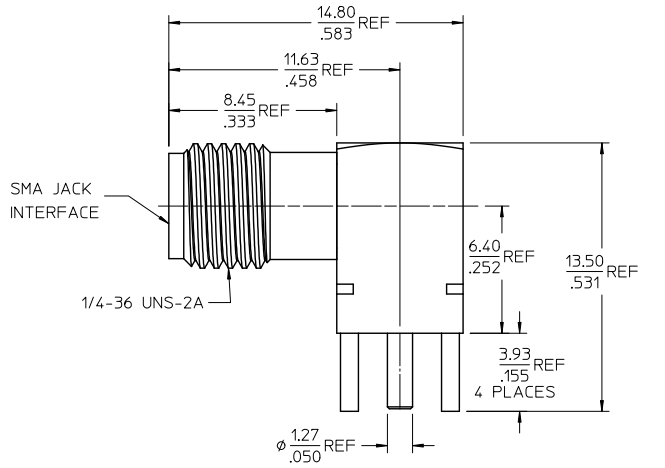
[Molex Connector Corporation](#)  
[0731000115](#)

For any questions, you can email us directly:

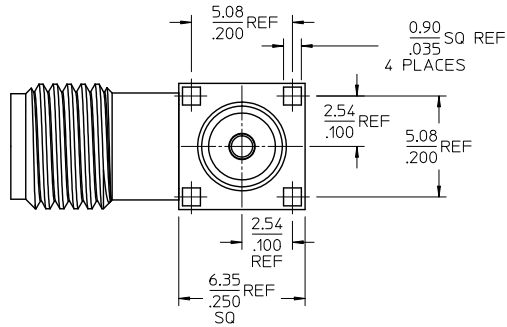
[sales@integrated-circuit.com](mailto:sales@integrated-circuit.com)

MATERIALS AND FINISHES

- BODY BRASS  
PLATED NICKEL
- CENTER CONTACT BERYLLIUM COPPER  
PLATED GOLD
- PCB CONTACT BRASS  
PLATED GOLD
- INSULATOR TEFLON



RECOMMENDED PCB LAYOUT



73251-3131	ONE PER BAG
73100-0115	TRAY
PART NO.	PACKAGING

PS-89675-3460	PRODUCT SPECIFICATION
SPECIFICATION	DESCRIPTION

CHG: ADD SINGLE BAG VERSION PS WAS 73598-0111	REV	DESCRIPTION
EC NO: URF2011-0567	2/11/03/38	DRW: JMTNER
CHK: SSS	2/11/03/30	APP: JMTNER
2/11/03/31		

QUALITY SYMBOLS	GENERAL TOLERANCES (UNLESS SPECIFIED)	DIMENSION STYLE	SCALE	DESIGN UNITS	THIRD ANGLE PROJECTION
▽=0	mm INCH	MM/IN	METRIC		
▽=0	4 PLACES ± ---	DRAWN BY THOMPSON	DATE 1993/10/15	TITLE SMA JACK,R/A PCB,50 OHMS PLATED NICKEL SMA-J/PCB	
	3 PLACES ± ---	CHECKED BY	DATE	MATERIAL NO. MOLEX INCORPORATED	
	2 PLACES ± ---	APPROVED BY MHUANG	DATE 2010/02/22	DOCUMENT NO. SD-73100-0115	
	1 PLACE ± ---	ANGULAR ± 2 °		SHEET NO. 1 OF 1	
	DRAFT WHERE APPLICABLE MUST REMAIN WITHIN DIMENSIONS	SEE TABLE		THIS DRAWING CONTAINS INFORMATION THAT IS PROPRIETARY TO MOLEX INCORPORATED AND SHOULD NOT BE USED WITHOUT WRITTEN PERMISSION	