

Excellent Integrated System Limited

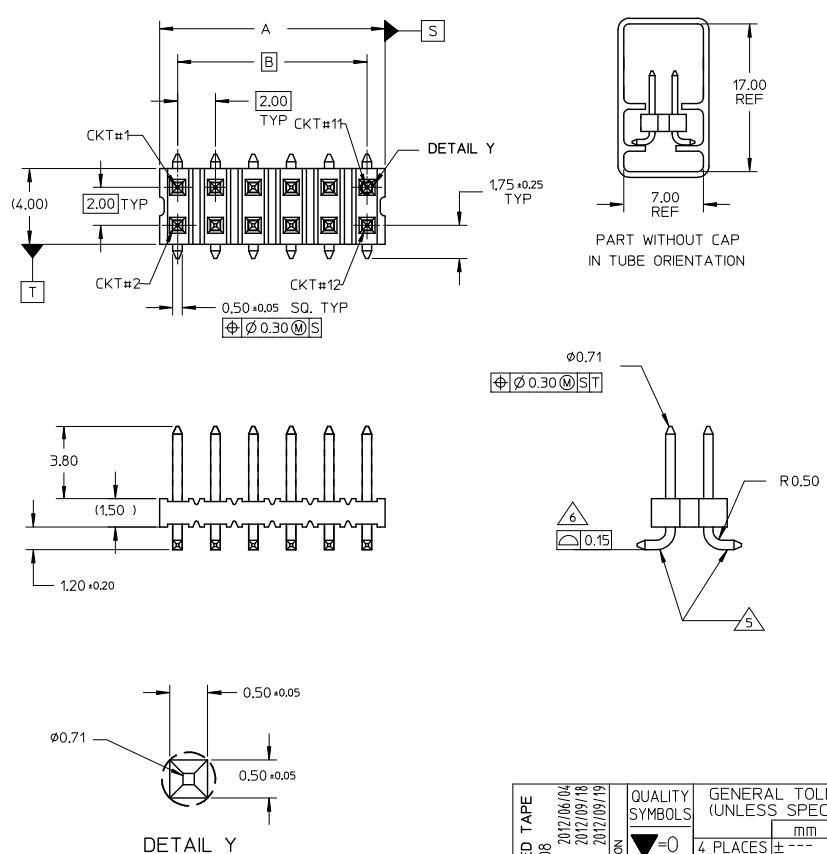
Stocking Distributor

Click to view price, real time Inventory, Delivery & Lifecycle Information:

[Molex Connector Corporation](#)
[0877591414](#)

For any questions, you can email us directly:
sales@integrated-circuit.com

10 9 8 7 6 5 4 3 2 1



- NOTE:
- MATERIAL:
HSG & CAP - NYLON, GLASS FILLED
UL 94V-0, COLOUR BLACK

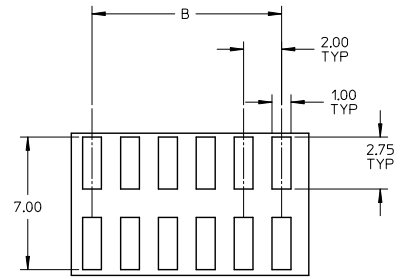
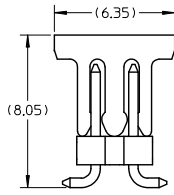
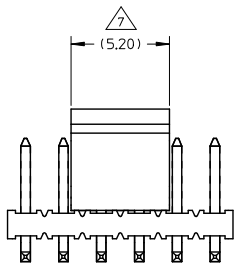
PIN - 0.50 SQ PHOSPHOR BRONZE
 - PLATING OPTION:
(1) 0.38um MIN GOLD PLATE AT CONTACT AREA,
TIN PLATE AT SOLDER AREA,
BOTH OVER NICKEL UNDERPLATE

(2) 0.05 - 0.25um GOLD PLATE AT CONTACT AREA,
TIN PLATE AT SOLDER AREA,
BOTH OVER NICKEL UNDERPLATE
 - PIN PUSHOUT FORCE: 1KG MIN IN EITHER DIRECTION
 - PRODUCT SPEC PS-87761-100 APPLIES.
 - BEND DEPRESSION IS ACCEPTABLE SO LONG AS IT DOES NOT AFFECT THE OVERALL COPLANARITY OF TAIL.
 - COPLANARITY IS TO BE MEASURED BY RESTING THE SOLDER TAIL ON A FLAT SURFACE.
 - CAP TO BE LOCATED AS CENTRAL OF PART AS POSSIBLE
TOP SURFACE OF CAP TO BE FLAT FOR THE PURPOSE OF PICK & PLACE BY VACUUM SUCTION NOZZLE.
 - FOR ILLUSTRATION PURPOSES, 12CKT IS SHOWN.
 - CKT 4 & 6 IS CUT FROM CKT 8 & 12 RESPECTIVELY
ROUGH EDGES ARE EXPECTED ALONG THE CUTTING EDGES.
 - PART TO BE PACKED IN TRAY ONLY.
 - TUBE LENGTH IS 560MM REF STANDARD.

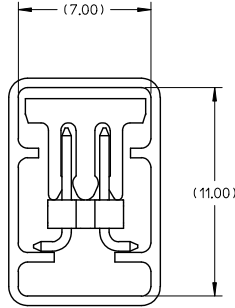
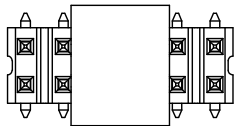
REVISE EMBOSSED TAPE EC NO: S2012-0908 DRAWN: KWANG CHK: DATSEE APPR: HLONG 2012/06/04 2012/09/18 2012/09/19	QUALITY SYMBOLS ▼=0 ▽=0	GENERAL TOLERANCES (UNLESS SPECIFIED)		DIMENSION STYLE MM ONLY		SCALE NTS	DESIGN UNITS METRIC	THIRD ANGLE PROJECTION			
		4 PLACES ± --- ± ---	3 PLACES ± --- ± ---	2 PLACES ± 0.2 ± ---	1 PLACE ± --- ± ---	ANGULAR ± 3 °	DRAWN BY KSEE DATE 2003/12/12	CHECKED BY KCLING DATE 2004/01/12	TITLE CUSTOM HEADER MGRID, 2MM DUAL ROW HDR. SMT		
		DRAFT WHERE APPLICABLE MUST REMAIN WITHIN DIMENSIONS					APPROVED BY SKTOH DATE 2004/01/12	MATERIAL NO. SEE TABLE	DOCUMENT NO. SD-87759-117	MOLEX INCORPORATED	
		SIZE A3					THIS DRAWING CONTAINS INFORMATION THAT IS PROPRIETARY TO MOLEX INCORPORATED AND SHOULD NOT BE USED WITHOUT WRITTEN PERMISSION				

9 8 7 6 5 4 3 2 1

10 9 8 7 6 5 4 3 2 1



RECOMMENDED SOLDER PAD LAYOUT

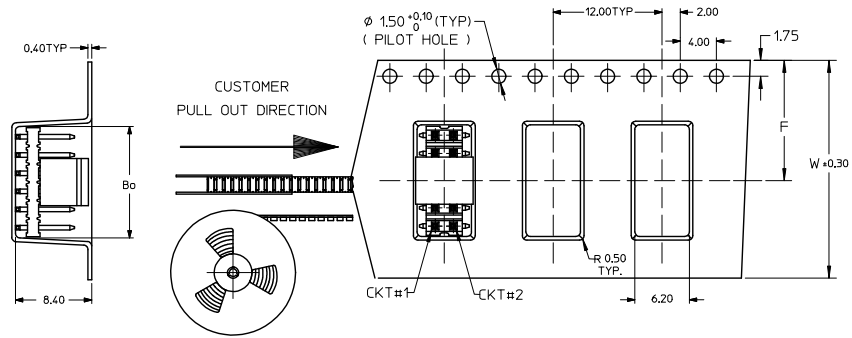


REVISE EMBOSSED TAPE EC NO. S2012-0908 DRAWN BY: DRWNSKANG 2012/06/04 CHECKED BY: CHKDATSEE 2012/09/18 APPROVED BY: APPRMLONG 2012/09/19	QUALITY SYMBOLS ▼=0 ▽=0	GENERAL TOLERANCES (UNLESS SPECIFIED)	DIMENSION STYLE MM ONLY	SCALE NTS	DESIGN UNITS METRIC	THIRD ANGLE PROJECTION																																						
		<table border="1"> <thead> <tr> <th></th> <th>mm</th> <th>INCH</th> </tr> </thead> <tbody> <tr> <td>4 PLACES</td> <td>± ---</td> <td>± ---</td> </tr> <tr> <td>3 PLACES</td> <td>± ---</td> <td>± ---</td> </tr> <tr> <td>2 PLACES</td> <td>± 0.2</td> <td>± ---</td> </tr> <tr> <td>1 PLACE</td> <td>± ---</td> <td>± ---</td> </tr> <tr> <td colspan="3">ANGULAR ± 3°</td> </tr> </tbody> </table>		mm	INCH	4 PLACES	± ---	± ---	3 PLACES	± ---	± ---	2 PLACES	± 0.2	± ---	1 PLACE	± ---	± ---	ANGULAR ± 3°			<table border="1"> <thead> <tr> <th>DRAWN BY</th> <th>DATE</th> <th>TITLE</th> </tr> </thead> <tbody> <tr> <td>KSEE</td> <td>2003/12/12</td> <td rowspan="3">CUSTOM HEADER MGRID, 2MM DUAL ROW HDR. SMT</td> </tr> <tr> <td>CHECKED BY</td> <td>DATE</td> </tr> <tr> <td>KCLING</td> <td>2004/01/12</td> </tr> <tr> <td colspan="2">APPROVED BY</td> <td>DATE</td> </tr> <tr> <td colspan="2">SKTOH</td> <td>2004/01/12</td> </tr> </tbody> </table>	DRAWN BY	DATE	TITLE	KSEE	2003/12/12	CUSTOM HEADER MGRID, 2MM DUAL ROW HDR. SMT	CHECKED BY	DATE	KCLING	2004/01/12	APPROVED BY		DATE	SKTOH		2004/01/12	<table border="1"> <tr> <td>MATERIAL NO.</td> <td>DOCUMENT NO.</td> <td>SHEET NO.</td> </tr> <tr> <td>SEE TABLE</td> <td>SD-87759-117</td> <td>2 OF 7</td> </tr> </table>	MATERIAL NO.	DOCUMENT NO.	SHEET NO.	SEE TABLE	SD-87759-117	2 OF 7
		mm	INCH																																									
	4 PLACES	± ---	± ---																																									
3 PLACES	± ---	± ---																																										
2 PLACES	± 0.2	± ---																																										
1 PLACE	± ---	± ---																																										
ANGULAR ± 3°																																												
DRAWN BY	DATE	TITLE																																										
KSEE	2003/12/12	CUSTOM HEADER MGRID, 2MM DUAL ROW HDR. SMT																																										
CHECKED BY	DATE																																											
KCLING	2004/01/12																																											
APPROVED BY		DATE																																										
SKTOH		2004/01/12																																										
MATERIAL NO.	DOCUMENT NO.	SHEET NO.																																										
SEE TABLE	SD-87759-117	2 OF 7																																										
	DRAFT WHERE APPLICABLE MUST REMAIN WITHIN DIMENSIONS	THIS DRAWING CONTAINS INFORMATION THAT IS PROPRIETARY TO MOLEX INCORPORATED AND SHOULD NOT BE USED WITHOUT WRITTEN PERMISSION		MOLEX INCORPORATED																																								
B7																																												

9 8 7 6 5 4 3 2 1

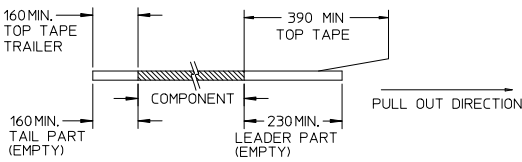
10 9 8 7 6 5 4 3 2 1

EMBOSSED CARRIER TAPE TYPE "A"

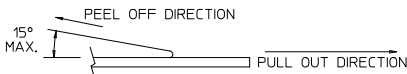


NOTES:

12. LEADER AND TRAILER TAPE



13. PEELING OFF FORCE OF THE TOP TAPE: 20-80gf.
(PEELING DIRECTION AS SHOWN IN FOLLOWING FIGURE)



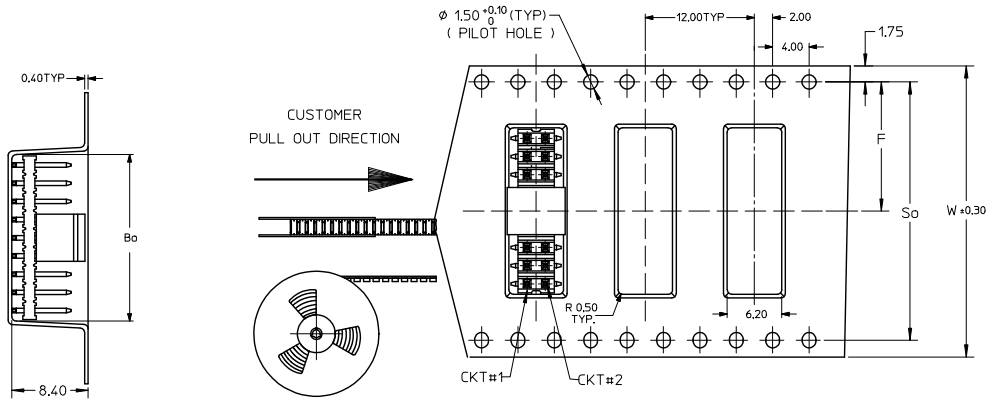
- 14. PACKAGING STANDARD IS AS PER EIA-481.
- 15. TAPE & REEL QUANTITY = SEE TABLE
- 16. THE TAPE IS TREATED FOR ANTI-STATIC

REVISE EMBOSSED TAPE EC. NO.: S2012-0908 DRWN:SKANG CHK'DAT:SEE APPR:MLONG 2012/06/04 2012/09/18 2012/09/19 REV B7	QUALITY SYMBOLS ▼=0 ▽=0	GENERAL TOLERANCES (UNLESS SPECIFIED) 4 PLACES ± --- ± --- 3 PLACES ± --- ± --- 2 PLACES ± 0.2 ± --- 1 PLACE ± --- ± --- ANGULAR ± 3°	DIMENSION STYLE MM ONLY DRAWN BY DATE KSEE 2003/12/12 CHECKED BY DATE KCLING 2004/01/12 APPROVED BY DATE SKTOH 2004/01/12	SCALE NTS DESIGN UNITS METRIC THIRD ANGLE PROJECTION	TITLE CUSTOM HEADER MGRID, 2MM DUAL ROW HDR. SMT	MOLEX INCORPORATED DOCUMENT NO. SD-87759-117	SHEET NO. 3 OF 7	
	DRAFT WHERE APPLICABLE MUST REMAIN WITHIN DIMENSIONS		MATERIAL NO. SEE TABLE	THIS DRAWING CONTAINS INFORMATION THAT IS PROPRIETARY TO MOLEX INCORPORATED AND SHOULD NOT BE USED WITHOUT WRITTEN PERMISSION				
	THIS DRAWING CONTAINS INFORMATION THAT IS PROPRIETARY TO MOLEX INCORPORATED AND SHOULD NOT BE USED WITHOUT WRITTEN PERMISSION							
	THIS DRAWING CONTAINS INFORMATION THAT IS PROPRIETARY TO MOLEX INCORPORATED AND SHOULD NOT BE USED WITHOUT WRITTEN PERMISSION							

9 8 7 6 5 4 3 2 1

10 9 8 7 6 5 4 3 2 1

EMBOSSED CARRIER TAPE TYPE "B"

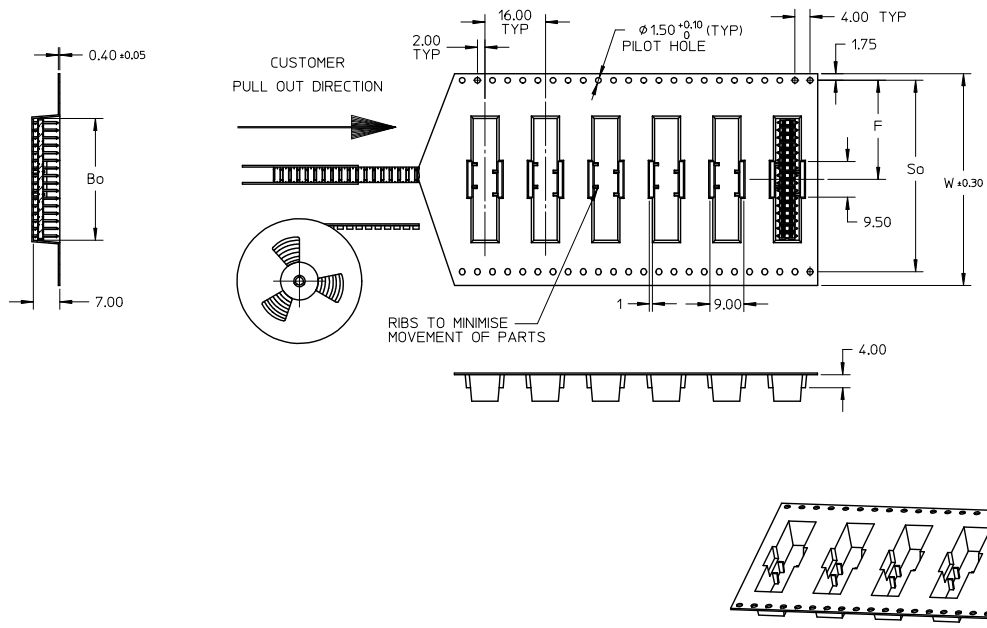


REVISE EMBOSSED TAPE EC NO: S2012-0908 DRAWN: KANG CHK: DATSEE APPR: HLONG 2012/06/04 2012/09/18 2012/09/19	QUALITY SYMBOLS ▽=0 ▽=0	GENERAL TOLERANCES (UNLESS SPECIFIED) <table border="1"> <thead> <tr> <th></th> <th>mm</th> <th>INCH</th> </tr> </thead> <tbody> <tr> <td>4 PLACES</td> <td>± ---</td> <td>± ---</td> </tr> <tr> <td>3 PLACES</td> <td>± ---</td> <td>± ---</td> </tr> <tr> <td>2 PLACES</td> <td>± 0.2</td> <td>± ---</td> </tr> <tr> <td>1 PLACE</td> <td>± ---</td> <td>± ---</td> </tr> <tr> <td colspan="3">ANGULAR ± 3 °</td> </tr> </tbody> </table>		mm	INCH	4 PLACES	± ---	± ---	3 PLACES	± ---	± ---	2 PLACES	± 0.2	± ---	1 PLACE	± ---	± ---	ANGULAR ± 3 °			DIMENSION STYLE MM ONLY	SCALE NTS	DESIGN UNITS METRIC	THIRD ANGLE PROJECTION						
		mm	INCH																											
	4 PLACES	± ---	± ---																											
	3 PLACES	± ---	± ---																											
2 PLACES	± 0.2	± ---																												
1 PLACE	± ---	± ---																												
ANGULAR ± 3 °																														
DESCRIPTION B7	DRAFT WHERE APPLICABLE MUST REMAIN WITHIN DIMENSIONS	<table border="1"> <tr> <td>DRAWN BY</td> <td>DATE</td> <td>TITLE</td> </tr> <tr> <td>KSEE</td> <td>2003/12/12</td> <td>CUSTOM HEADER</td> </tr> <tr> <td>CHECKED BY</td> <td>DATE</td> <td>MGRID, 2MM DUAL ROW HDR.</td> </tr> <tr> <td>KCLING</td> <td>2004/01/12</td> <td>SMT</td> </tr> <tr> <td>APPROVED BY</td> <td>DATE</td> <td></td> </tr> <tr> <td>SKTOH</td> <td>2004/01/12</td> <td></td> </tr> </table>	DRAWN BY	DATE	TITLE	KSEE	2003/12/12	CUSTOM HEADER	CHECKED BY	DATE	MGRID, 2MM DUAL ROW HDR.	KCLING	2004/01/12	SMT	APPROVED BY	DATE		SKTOH	2004/01/12		<table border="1"> <tr> <td>MATERIAL NO.</td> <td>DOCUMENT NO.</td> <td>SHEET NO.</td> </tr> <tr> <td>SEE TABLE</td> <td>SD-87759-117</td> <td>4 OF 7</td> </tr> </table>	MATERIAL NO.	DOCUMENT NO.	SHEET NO.	SEE TABLE	SD-87759-117	4 OF 7	MOLEX INCORPORATED		
DRAWN BY	DATE	TITLE																												
KSEE	2003/12/12	CUSTOM HEADER																												
CHECKED BY	DATE	MGRID, 2MM DUAL ROW HDR.																												
KCLING	2004/01/12	SMT																												
APPROVED BY	DATE																													
SKTOH	2004/01/12																													
MATERIAL NO.	DOCUMENT NO.	SHEET NO.																												
SEE TABLE	SD-87759-117	4 OF 7																												
THIS DRAWING CONTAINS INFORMATION THAT IS PROPRIETARY TO MOLEX INCORPORATED AND SHOULD NOT BE USED WITHOUT WRITTEN PERMISSION																														

9 8 7 6 5 4 3 2 1

10 9 8 7 6 5 4 3 2 1

EMBOSSED CARRIER TAPE TYPE 'B1'

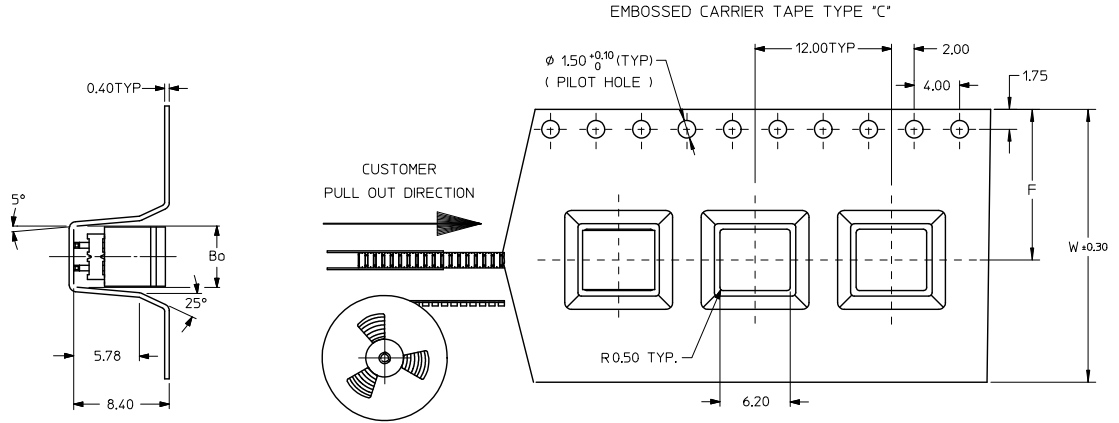


REVISE EMBOSSED TAPE IEC NO: S2012-0908 DRAWN: SKANG 2012/06/04 CHECKED: SEE 2012/09/18 APPROVED: LONG 2012/09/19	QUALITY SYMBOLS	GENERAL TOLERANCES (UNLESS SPECIFIED)		DIMENSION STYLE MM ONLY		SCALE NTS	DESIGN UNITS METRIC	THIRD ANGLE PROJECTION
	√=0	4 PLACES ±	mm	INCH	DRAWN BY KSEE	DATE 2003/12/12	TITLE CUSTOM HEADER	
	√=0	3 PLACES ±			CHECKED BY KCLING	DATE 2004/01/12	MGRID, 2MM DUAL ROW HDR.	
	√=0	2 PLACES ±0.2			APPROVED BY SKTOH	DATE 2004/01/12	SMT	
		1 PLACE ±			MATERIAL NO.	DOCUMENT NO.	SHEET NO.	
		0 PLACE ±			SEE TABLE	SD-87759-117	5 OF 7	
			ANGULAR ± 3 °		THIS DRAWING CONTAINS INFORMATION THAT IS PROPRIETARY TO MOLEX INCORPORATED AND SHOULD NOT BE USED WITHOUT WRITTEN PERMISSION			
			DRAFT WHERE APPLICABLE MUST REMAIN WITHIN DIMENSIONS					

9 8 7 6 5 4 3 2 1

10 9 8 7 6 5 4 3 2 1

THIS TYPE OF CARRIER IS FOR CKT SIZE 8 AND BELOW.

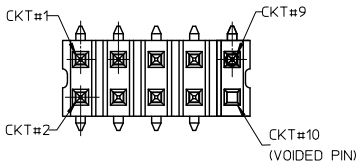


REVISE EMBOSSED TAPE EC NO: S2012-0908 DRAWN: KWANG CHK: DATSEE APPR: HLONG 2012/06/04 2012/09/18 2012/09/19	QUALITY SYMBOLS ▽=0 ▽=0	GENERAL TOLERANCES (UNLESS SPECIFIED) <table border="1"> <thead> <tr> <th></th> <th>mm</th> <th>INCH</th> </tr> </thead> <tbody> <tr> <td>4 PLACES</td> <td>±---</td> <td>±---</td> </tr> <tr> <td>3 PLACES</td> <td>±---</td> <td>±---</td> </tr> <tr> <td>2 PLACES</td> <td>±0.2</td> <td>±---</td> </tr> <tr> <td>1 PLACE</td> <td>±---</td> <td>±---</td> </tr> <tr> <td colspan="3">ANGULAR ± 3°</td> </tr> </tbody> </table>		mm	INCH	4 PLACES	±---	±---	3 PLACES	±---	±---	2 PLACES	±0.2	±---	1 PLACE	±---	±---	ANGULAR ± 3°			DIMENSION STYLE MM ONLY	SCALE NTS	DESIGN UNITS METRIC	THIRD ANGLE PROJECTION
		mm	INCH																					
	4 PLACES	±---	±---																					
	3 PLACES	±---	±---																					
2 PLACES	±0.2	±---																						
1 PLACE	±---	±---																						
ANGULAR ± 3°																								
REV B7	DESCRIPTION DRAFT WHERE APPLICABLE MUST REMAIN WITHIN DIMENSIONS	<table border="1"> <thead> <tr> <th>DRAWN BY</th> <th>DATE</th> <th>TITLE</th> </tr> </thead> <tbody> <tr> <td>KSEE</td> <td>2003/12/12</td> <td rowspan="3"> CUSTOM HEADER MGRID, 2MM DUAL ROW HDR. SMT </td> </tr> <tr> <td>CHECKED BY</td> <td>DATE</td> </tr> <tr> <td>KCLING</td> <td>2004/01/12</td> </tr> <tr> <td>APPROVED BY</td> <td>DATE</td> <td> MOLEX INCORPORATED </td> </tr> <tr> <td>SKTOH</td> <td>2004/01/12</td> <td> MATERIAL NO. SEE TABLE DOCUMENT NO. SD-87759-117 </td> </tr> </tbody> </table>	DRAWN BY	DATE	TITLE	KSEE	2003/12/12	CUSTOM HEADER MGRID, 2MM DUAL ROW HDR. SMT	CHECKED BY	DATE	KCLING	2004/01/12	APPROVED BY	DATE	MOLEX INCORPORATED	SKTOH	2004/01/12	MATERIAL NO. SEE TABLE DOCUMENT NO. SD-87759-117	THIS DRAWING CONTAINS INFORMATION THAT IS PROPRIETARY TO MOLEX INCORPORATED AND SHOULD NOT BE USED WITHOUT WRITTEN PERMISSION	SHEET NO. 6 OF 7				
DRAWN BY	DATE	TITLE																						
KSEE	2003/12/12	CUSTOM HEADER MGRID, 2MM DUAL ROW HDR. SMT																						
CHECKED BY	DATE																							
KCLING	2004/01/12																							
APPROVED BY	DATE	MOLEX INCORPORATED																						
SKTOH	2004/01/12	MATERIAL NO. SEE TABLE DOCUMENT NO. SD-87759-117																						

9 8 7 6 5 4 3 2 1

	10	9	8	7	6	5	4	3	2	1					
	PART NUMBER WITHOUT CAP IN TUBE	PART NUMBER WITH CAP IN TUBE	PART NUMBER WITH CAP IN TAPE AND REEL.	PART NUMBER WITHOUT CAP IN TAPE AND REEL.	CKT SIZE	VOID CKTS	A	B	Bo	F	So	W	EMBOSSED TYPE	QTY/ REEL	PLATING OPTION
F	87759-0414 \triangle	87759-0464	87759-0474	-	4	--	NA	2.00	5.40	11.50	-	24.00	C	750	1
	87759-0614 \triangle	87759-0664	87759-0674	-	6	--	NA	4.00	7.20	11.50	-	24.00	C		
	87759-0814	87759-0864	87759-0874	-	8	--	7.90	6.00	8.20	11.50	-	24.00	C		
	87759-1014	87759-1064	87759-1074	-	10	--	9.90	8.00	10.20	11.50	-	24.00	A		
	87759-1002 \triangle	87759-1003 \triangle	87759-1004 \triangle	-	10	10	9.90	8.00	10.20	11.50	-	24.00	A		
	87759-1214	87759-1264	87759-1274	-	12	--	11.90	10.00	12.20	11.50	-	24.00	A		
E	87759-1414	87759-1464	87759-1474	-	14	--	13.90	12.00	14.20	11.50	-	24.00	A		
	87759-1614	87759-1664	87759-1674	-	16	--	15.90	14.00	16.20	14.20	28.40	32.00	B		
	87759-1814	87759-1864	87759-1874	-	18	--	17.90	16.00	18.20	14.20	28.40	32.00	B		
	87759-2014	87759-2064	87759-2074	-	20	--	19.90	18.00	20.20	14.20	28.40	32.00	B		
	87759-2214	87759-2264	87759-2274	-	22	--	21.90	20.00	22.20	20.20	40.40	44.00	B		
	87759-2414	87759-2464	87759-2474	-	24	--	23.90	22.00	24.20	20.20	40.40	44.00	B		
D	87759-2614	87759-2664	87759-2674	-	26	--	25.90	24.00	26.20	20.20	40.40	44.00	B		
	87759-2814	87759-2864	87759-2874	-	28	--	27.90	26.00	28.20	20.20	40.40	44.00	B		
	87759-3014	87759-3064	87759-3074	-	30	--	29.90	28.00	30.20	20.20	40.40	44.00	B		
	87759-3214	87759-3264	87759-3274	-	32	--	31.90	30.00	32.20	20.20	40.40	56.00	B		
	87759-3414	87759-3464	87759-3474	-	34	--	33.90	32.00	34.20	26.20	52.40	56.00	B		
	87759-3614	87759-3664	87759-3674	-	36	--	35.90	34.00	36.20	26.20	52.40	56.00	B		
C	-	-	-	87759-3679	36	--	35.90	34.00	36.20	26.20	52.40	56.00	B1	500	
	87759-3814	87759-3864	87759-3874	-	38	--	37.90	36.00	38.20	26.20	52.40	56.00	B	750	
	87759-4014	87759-4064	87759-4074	-	40	--	39.90	38.00	40.20	26.20	52.40	56.00	B		
	87759-4214	87759-4264	87759-4274	-	42	--	41.90	40.00	42.20	26.20	52.40	56.00	B		
	87759-4414	87759-4464	87759-4474	-	44	--	43.90	42.00	44.20	26.20	52.40	56.00	B		
	87759-4614	87759-4664	87759-4674	-	46	--	45.90	44.00	46.20	26.20	52.40	56.00	B		
	87759-4814	87759-4864	87759-4874	-	48	--	47.90	46.00	48.20	26.20	52.40	56.00	B		
B	87759-5014	87759-5064	87759-5074	-	50	--	49.90	48.00	50.20	34.20	68.40	72.00	B		

\triangle NOTES:
VOIDED PIN CKT#10 FOR PART#87759-1002



REVERSE EMBOSSED TAPE
EC. NO. S2012-0908
DRAWN:SKMG 2012/06/04
CHKD:ATSEE 2012/09/18
APPR:MLONG 2012/09/19

QUALITY SYMBOLS
▽=0
▽=0

GENERAL TOLERANCES (UNLESS SPECIFIED)	
	mm
4 PLACES	± ---
3 PLACES	± ---
2 PLACES	± 0.2
1 PLACE	± ---
ANGULAR ± 3°	

DIMENSION STYLE	
MM ONLY	
DRAWN BY	DATE
KSEE	2003/12/12
CHECKED BY	DATE
KCLING	2004/01/12
APPROVED BY	DATE
SKTOH	2004/01/12
MATERIAL NO.	SEE TABLE

SCALE	DESIGN UNITS	THIRD ANGLE PROJECTION
NTS	METRIC	\odot
TITLE		
CUSTOM HEADER		
MGRID, 2MM DUAL ROW HDR.		
SMT		
MOLEX INCORPORATED		
DOCUMENT NO.	SD-87759-117	SHEET NO.
		7 OF 7

	10	9	8	7	6	5	4	3	2	1
--	----	---	---	---	---	---	---	---	---	---