



Distributor of Molex Connector Corporation: Excellent Integrated System Limited
Datasheet of 1050570001 - Connector Receptacle USB TypeA 4 Position Through Hole,
Vertical

Contact us: sales@integrated-circuit.com Website: www.integrated-circuit.com

Excellent Integrated System Limited

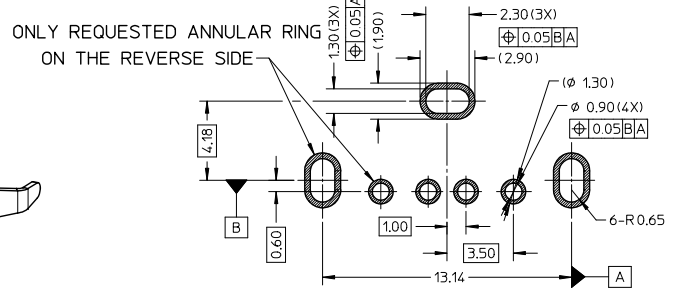
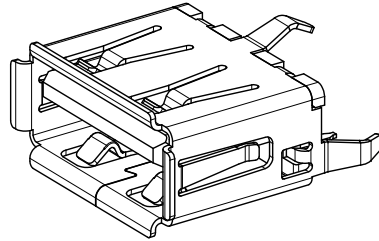
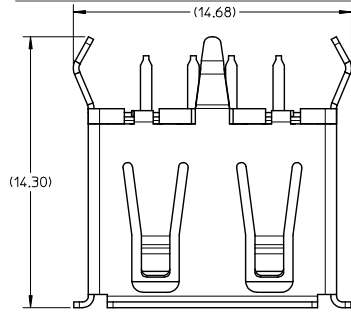
Stocking Distributor

Click to view price, real time Inventory, Delivery & Lifecycle Information:

[Molex Connector Corporation](#)
[1050570001](#)

For any questions, you can email us directly:
sales@integrated-circuit.com

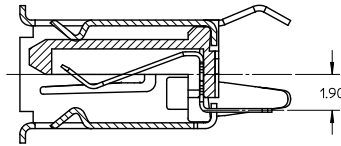
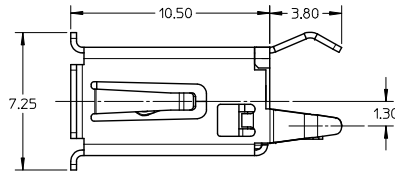
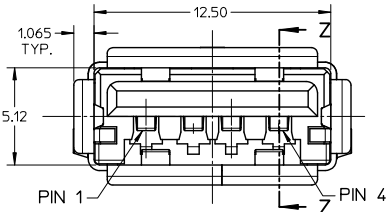
Contact us: sales@integrated-circuit.com Website: www.integrated-circuit.com



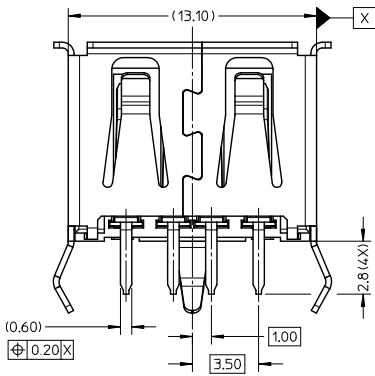
COMPONENT MOUNT SIDE
PWB THICKNESS 1.60MM
(DEFAULT TOLERANCE ±0.05MM)

NOTE :

- MATERIAL :
HOUSING : THERMOPLASTIC 30% GLASS FILLED , BLACK,UL94V-0
TERMINAL : COPPER ALLOY THICKNESS 0.20mm,
SHELL : STAINLESS STEEL THICKNESS 0.30mm.
- PLATING :
TERMINAL:
CONTACT AREA : GOLD 0.76 MICROMETER MIN.
SOLDERING AREA : MATTE TIN 3.8 MICROMETER MIN.
UNDERPLATING : NICKEL 1.27 MICROMETER MIN.
SHELL:
OVERALL SOLDERING NICKEL 1.27 MICROMETER MIN.
- PRODUCT CHARACTERS SPEC: PER PS-105057-001.
- PACKAGE INFORMATION: PER PK-105057-001.
- THE PART COMPLIANT TO RoHS DIRECTIVE 2002/95/EC AND ELV 2000/53/EC.



SECTION Z-Z



NEW RELEASE EC NO: SH2009-0472 DRAWN: ZHANG CHKD: CHANG APPR: HANG 2009/01/20 2009/01/21 2009/02/25	QUALITY SYMBOLS	GENERAL TOLERANCES (UNLESS SPECIFIED)	DIMENSION STYLE	SCALE	DESIGN UNITS	THIRD ANGLE PROJECTION
	▼=0 ▽=0	mm INCH 4 PLACES ± --- ± --- 3 PLACES ± --- ± --- 2 PLACES ± 0.25 ± --- 1 PLACE ± 0.25 ± --- ANGULAR ± 3 °	MM ONLY	5:1	METRIC	
	DESCRIPTION	DRAFT WHERE APPLICABLE MUST REMAIN WITHIN DIMENSIONS	DRAWN BY DATE	TITLE		
	REV		DAVID HU 2008/06/05	VERTICAL USB TYPE LEAD FREE		
			CHECKED BY DATE	MOLEX INCORPORATED		
			ROST ZHANG 2008/06/05	MATERIAL NO. 1050570001		
			APPROVED BY DATE	DOCUMENT NO. SD-105057-001		
			HARVEY 2008/06/05	SHEET NO. 1 OF 1		
				THIS DRAWING CONTAINS INFORMATION THAT IS PROPRIETARY TO MOLEX INCORPORATED AND SHOULD NOT BE USED WITHOUT WRITTEN PERMISSION		