

Excellent Integrated System Limited

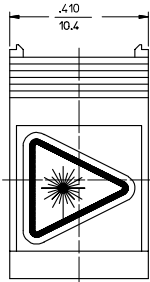
Stocking Distributor

Click to view price, real time Inventory, Delivery & Lifecycle Information:

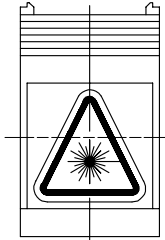
[Molex Connector Corporation](#)
[1061702400](#)

For any questions, you can email us directly:
sales@integrated-circuit.com

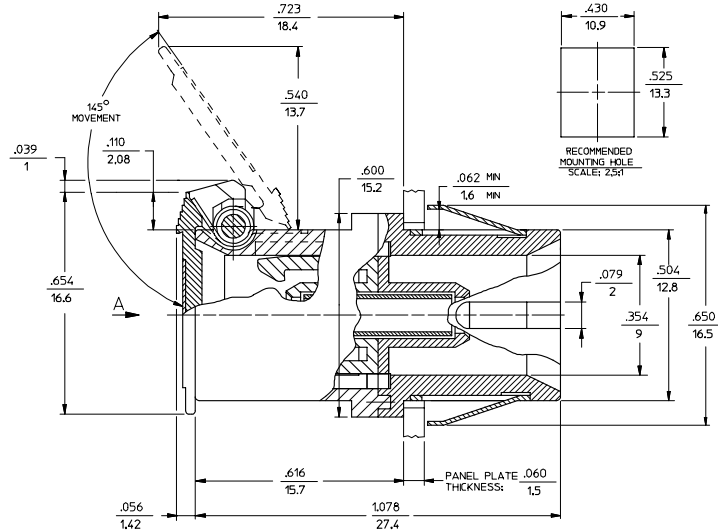
ADAPTER P/N	SPLIT SLEEVE MATERIAL	COLOR OF ADAPTER	DUST CAP COLOR
106170-2400	ZR	BLACK	GRAY
106170-2420		GREEN	
106170-2430		RED	
106171-2400	PHOSPHOR BRONZE	BLACK	GRAY
106171-2420		GREEN	
106171-2430		RED	
106192-1440		BLACK	YELLOW



VIEW A
VERSION 1



VIEW A
VERSION 2



NOTES:

1. ALL DIMENSIONS ARE GIVEN IN $\frac{\text{INCHES}}{\text{mm}}$
2. LABEL MUST BE INSTALLED AND ORIENTED BY CUSTOMER, (SEE VIEW A)
3. DUST CAP NOT SHOWN.

ENTER DESCRIPTION EC NO: MF2007-0207 DRAWN BY: ZNR CHKD: LGMIN APPR: LGMIN DATE: 2006/09/22	QUALITY SYMBOLS ▽=0 ▽=0	GENERAL TOLERANCES (UNLESS SPECIFIED)		DIMENSION STYLE IN/MM	SCALE 4:1	DESIGN UNITS INCH	THIRD ANGLE PROJECTION	
		4 PLACES ± --- ± ---	3 PLACES ± --- ± ---	DRAWN BY	DATE	TITLE BSC- 2 ADAPTER WITH SHUTTER		
A1	DESCRIPTION	2 PLACES ± --- ± ---	1 PLACE ± --- ± ---	CHECKED BY	DATE	MATERIAL NO. MOLEX INCORPORATED		
		ANGULAR ±1/2°		APPROVED BY	DATE	DOCUMENT NO. SD-10617Y-24Y0	SHEET NO. 1 OF 1	
DRAFT WHERE APPLICABLE MUST REMAIN WITHIN DIMENSIONS		SIZE C		THIS DRAWING CONTAINS INFORMATION THAT IS PROPRIETARY TO MOLEX INCORPORATED AND SHOULD NOT BE USED WITHOUT WRITTEN PERMISSION				