

Excellent Integrated System Limited

Stocking Distributor

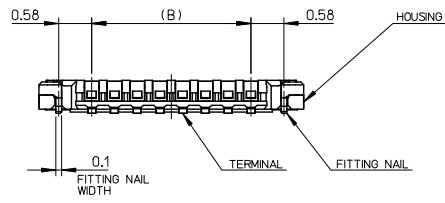
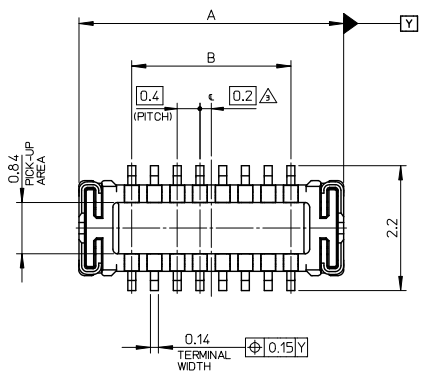
Click to view price, real time Inventory, Delivery & Lifecycle Information:

[Molex Connector Corporation](#)
[5035521820](#)

For any questions, you can email us directly:

sales@integrated-circuit.com

10 9 8 7 6 5 4 3 2 1



注記 NOTES

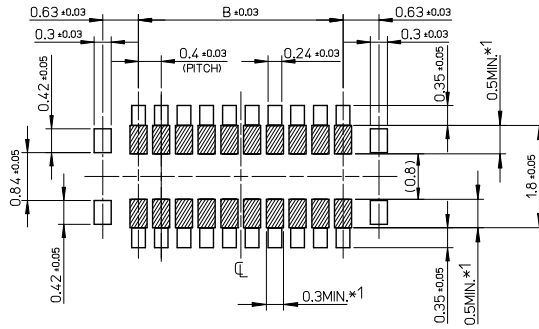
1. 使用材料 MATERIAL
 ハウジング : 液晶ポリマー (LCP) UL94V-0 (黒)
 HOUSING LIQUID CRYSTAL POLYMER UL94V-0 (COLOR:BLACK)
 ターミナル : 銅合金
 TERMINAL : COPPER ALLOY
 金具 : 銅合金
 FITTING NAIL : COPPER ALLOY
2. メッキ仕様 PLATING
 ターミナル TERMINAL
 金メッキ
 GOLD
 下地メッキ : ニッケルメッキ
 UNDER PLATING : NICKEL
 ※コンタクト部とテール部はニッケルメッキによって分断されている金メッキです。
 DIVIDE INTO PARTS THE GOLD PLATING OF THE CONTACT AND THE TAIL PART BY THE NICKEL PLATING.
 金具 FITTING NAIL
 金メッキ (テール部のみ)
 GOLD (ONLY TAIL PART)
 下地メッキ : ニッケルメッキ
 UNDER PLATING : NICKEL
3. 公差 (全極数 / 2) = 偶数の場合に適用。
 APPLY FOR (CIRCUIT/2)=EVEN.
4. 嵌合相手 : 503548 シリーズ
 MATE WITH : 503548 SERIES.
5. テール平坦度は、0.08 以下
 テール及び金具の平坦度は、0.1 以下
 TAIL COPLANARITY TO BE 0.08 MAXIMUM.
 TAIL AND FITTING NAIL COPLANARITY TO BE 0.1 MAXIMUM.

3.2	5.06	503552-1820	18
2.8	4.66	503552-1620	16
2.4	4.26	503552-1420	14
2.0	3.86	503552-1220	12
1.6	3.46	503552-1020	10
0.8	2.66	503552-0620	6
B	A	EMBOSSED PACKAGE	極数
		オーダー番号 ORDER No.	CIRCUITS
CONNECTOR SERIES No. : 503552-**-19			

REVISED EC NO. J2013-1507 DRAWN: FUJIMAKI 2013/06/13 CHKD: TASEKAWA 2013/06/13 APPR: MORIKAWA 2013/06/14	GENERAL TOLERANCES (UNLESS SPECIFIED)		DIMENSION STYLE	SCALE	DESIGN UNITS	THIRD ANGLE PROJECTION
			MM ONLY	15:1	METRIC	◎ □
	10 UNDER	± 0.2	DRAWN BY	DATE	TITLE	
	10 OVER 30 UNDER	± 0.25	RTAKEUCHI	2010/04/08	0.4 B-TO-B CONN HGT=0.7 W=2.6 HI-RETENTION PLUG ASSY	
	30 OVER	± 0.3	CHECKED BY	DATE		
ANGULAR	± 1 °	THIRATA	2010/04/08			
DRAFT WHERE APPLICABLE MUST REMAIN WITHIN DIMENSIONS		APPROVED BY	DATE			
A		MSASAO	2010/09/15	MATERIAL NO.	DOCUMENT NO.	SHEET NO.
		SEE CHART		SD-503552-005	1 OF 2	
THIS DRAWING CONTAINS INFORMATION THAT IS PROPRIETARY TO MOLEX INCORPORATED AND SHOULD NOT BE USED WITHOUT WRITTEN PERMISSION						

9 8 7 6 5 4 3 2

10 9 8 7 6 5 4 3 2 1



RECOMMENDED P.W. BOARD PATTERN LAYOUT

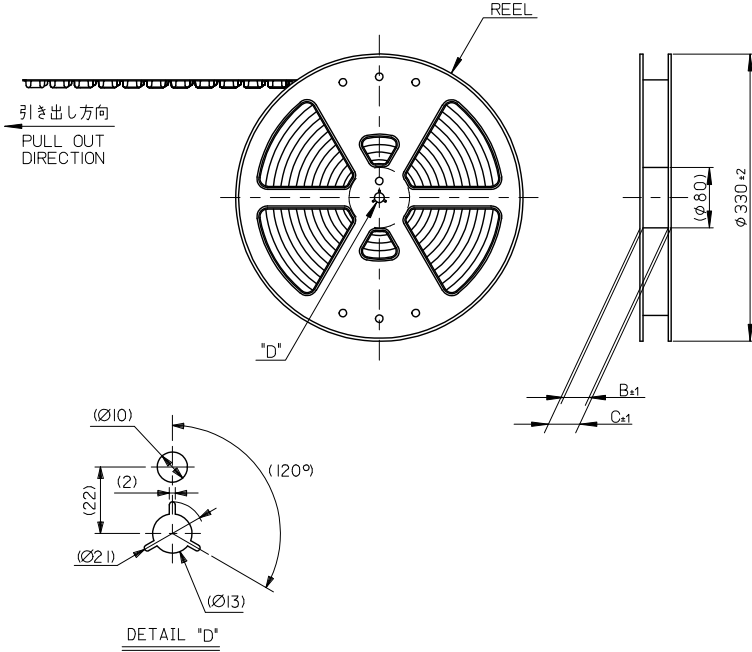
*1 パターン引き出し、および半田禁止エリア
(当該箇所においては、これと接する回路以外の配線を禁止する。
また、接する回路を配線する場合はレジストを施し、この部分に半田は無きこととする。)

*1 PROHIBITED AREA OF PATTERN WIRING AND SOLDER
(FOR EACH AREA, THE WIRING THAT TOUCHES ON THE SOLDER CAN BE ATTACHED, THEN COVERED WITH A FILM TO KEEP SOLDER OUT.)

REVISED EC NO. J2013-1507 DRWN: FUJIMAKI 2013/06/13 CHKD: TASHIKAWA 2013/06/13 APPR: MORIKAWA 2013/06/14	GENERAL TOLERANCES (UNLESS SPECIFIED)		DIMENSION STYLE MM ONLY		SCALE 15:1	DESIGN UNITS METRIC	THIRD ANGLE PROJECTION
	10 UNDER	± 0.2	DRAWN BY RTAKEUCHI	DATE 2010/04/08	TITLE 0.4 B-TO-B CONN HGT=0.7 W=2.6 HI-RETENTION PLUG ASSY		
	10 OVER 30 UNDER	± 0.25	CHECKED BY THIRATA	DATE 2010/04/08	molex		
	30 OVER	± 0.3	APPROVED BY MSASAO	DATE 2010/09/15			
ANGULAR	± 1 °	MATERIAL NO. SEE SHEET1		DOCUMENT NO. SD-503552-005	SHEET NO. 2 OF 2		
A	DRAFT WHERE APPLICABLE MUST REMAIN WITHIN DIMENSIONS		THIS DRAWING CONTAINS INFORMATION THAT IS PROPRIETARY TO MOLEX INCORPORATED AND SHOULD NOT BE USED WITHOUT WRITTEN PERMISSION				

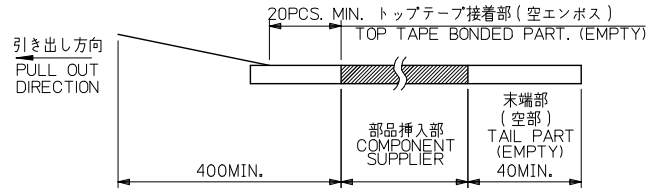
9 8 7 6 5 4 3 2 1

10 9 8 7 6 5 4 3 2 1



注記 NOTES

- 製品詳細寸法については製品単体図面を参照下さい。
RE DETAILED DIMENSION, SEE PRODUCT DRAWING.
- 梱包数量: 3000 個/リール
NUMBER OF CONNECTORS: 3000PCS/REEL
- リードテープ長さ LEAD TAPE LENGTH



- トップテープの剥離強度: $0.1N \sim 1.3N(10gf \sim 130gf)$
(剥離方向は下図参照)
尚、本規格値は出荷時に適用。(但し、輸送時に剥離が発生しないこと。)
PEELING OFF FORCE OF TOP TAPE: $0.1N \sim 1.3N(10gf \sim 130gf)$
(PEELING DIRECTION AS SHOWN IN FOLLOWING FIG.)
THIS REQUIREMENT SHOULD BE APPLIED AT SHIPMENT.
PEEL OFF SHOULD NOT BE ALLOWED, DURING TRANSPORTION.

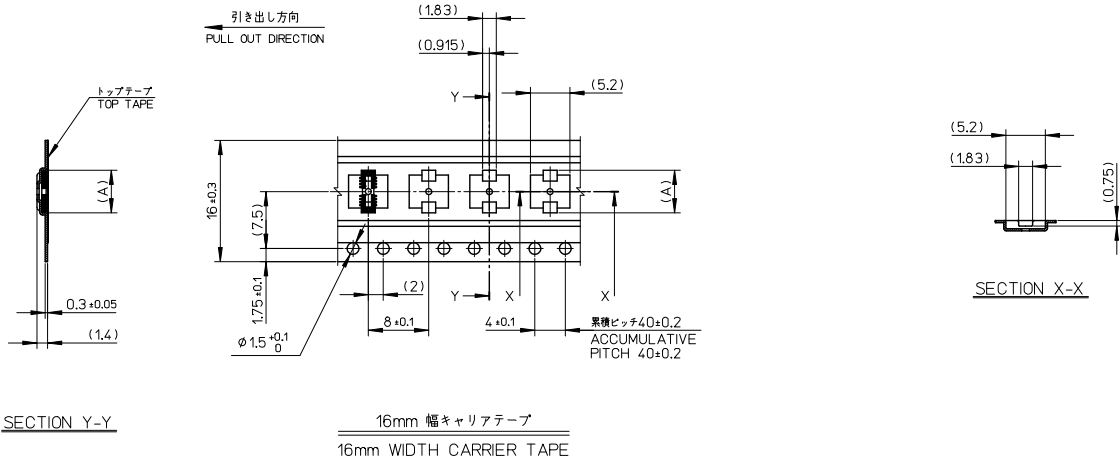


- 材料 MATERIAL
キャリアテープ (CARRIER TAPE): ポリスチレン (POLYSTYRENE)
トップテープ (TOP TAPE): PET, OTHER
リール (REEL): ポリスチレン (PS) <リサイクル材を含む>
POLYSTYRENE (PS) <RECYCLE MATERIAL CONTAINED>
- ELV 及び RoHS適合品
ELV AND RoHS COMPLIANT

REVISED EC NO. J2013-1507 DRAWN BY FUJIMAKI 2013/06/13 CHKD: TASAKAWA 2013/06/13 APPR: KIMORI KAWA 2013/06/14	GENERAL TOLERANCES (UNLESS SPECIFIED)		DIMENSION STYLE MM ONLY	SCALE 1:1	DESIGN UNITS METRIC	MODEL NO. 503552-***20
	10 UNDER	±---	DRAWN BY RTAKEUCHI	DATE 2010/02/08	TITLE 0.4 B-TO-B CONN. HGT=0.7 HI-RETENTION PLUG ASSY EMBSTP PKG	THIRD ANGLE PROJECTION
	10 OVER	30 UNDER	CHECKED BY THIRATA	DATE 2010/02/08	molex	DOCUMENT NO. SD-503552-006
	30 OVER	±---	APPROVED BY MSASAO	DATE 2010/02/08		
A	ANGULAR	±---	MATERIAL NO. SEE SHEET 2	THIS DRAWING CONTAINS INFORMATION THAT IS PROPRIETARY TO MOLEX INCORPORATED AND SHOULD NOT BE USED WITHOUT WRITTEN PERMISSION		

9 8 7 6 5 4 3 2 1

10 9 8 7 6 5 4 3 2 1



16	21.4	17.4	5.21	503552-1820	18
			4.81	503552-1620	16
			4.41	503552-1420	14
			4.01	503552-1220	12
			3.61	503552-1020	10
2.81	503552-0620	6			
キャリアテープ幅 CARRIER TAPE WIDTH			(A)	MATERIAL No.	CKT.
				MODEL No.	503552-**20

REVISED EC No.: J2013-1507 DRAWN: FUJIMAKI 2013/06/13 CHKD: TASEKAWA 2013/06/13 APPR: KOBAYASHI 2013/06/14	DESCRIPTION	GENERAL TOLERANCES (UNLESS SPECIFIED)	DIMENSION STYLE MM ONLY	SCALE 1:1	DESIGN UNITS METRIC	THIRD ANGLE PROJECTION
		10 UNDER ± --	DRAWN BY RTAKEUCHI	DATE 2010/02/08	TITLE 0.4 B-TO-B CONN. HGT=0.7 HI-RETENTION PLUG ASSY EMBSTP PKG	
		10 OVER 30 UNDER ± ---	CHECKED BY HIRATA	DATE 2010/02/08	molex	
		30 OVER ± ---	APPROVED BY MSASAO	DATE 2010/02/08		
		ANGULAR ± --- °	MATERIAL NO.	DOCUMENT NO.	SHEET NO. 2 OF 2	
DRAFT WHERE APPLICABLE MUST REMAIN WITHIN DIMENSIONS		SEE CHART		SD-503552-006		
A		SIZE A3		THIS DRAWING CONTAINS INFORMATION THAT IS PROPRIETARY TO MOLEX INCORPORATED AND SHOULD NOT BE USED WITHOUT WRITTEN PERMISSION		

9 8 7 6 5 4 3 2 1