

Excellent Integrated System Limited

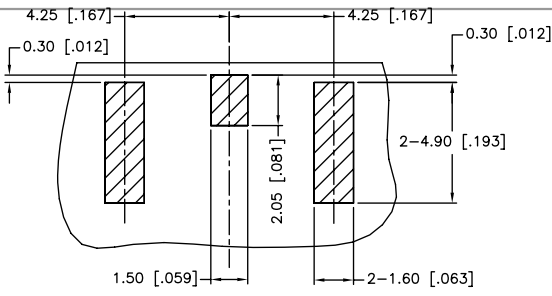
Stocking Distributor

Click to view price, real time Inventory, Delivery & Lifecycle Information:

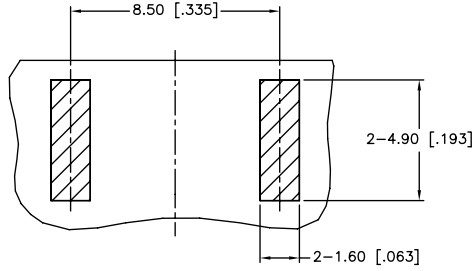
[Amphenol RF](#)
[132413](#)

For any questions, you can email us directly:
sales@integrated-circuit.com

REV.	DATE	ECR NO.	DESCRIPTION
NC	10/20/10	XXXXXX	INITIAL RELEASE

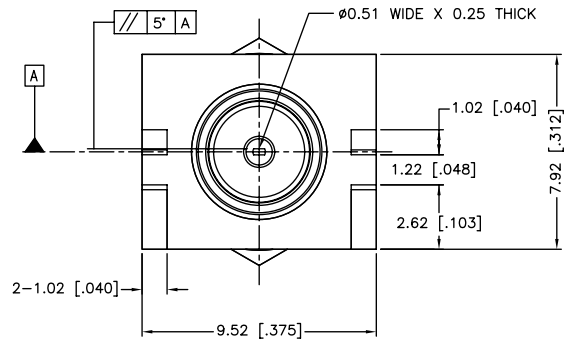
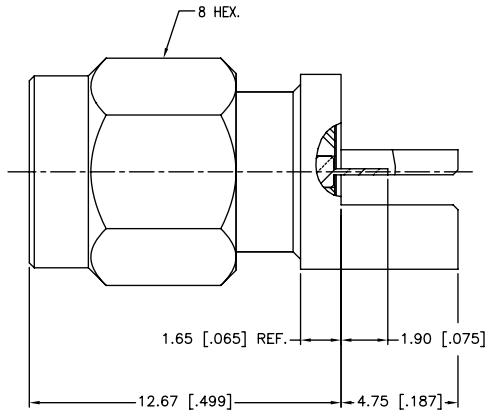


TOP VIEW



BOTTOM VIEW

RECOMMENDED PCB LAYOUT



QTY	DESCRIPTION	MATERIAL	FINISH	QTY
8	RING	BRASS	GOLD	1
7	INSULATOR	PTFE	NATURAL	1
6	BODY	BRASS	GOLD	1
5	INSULATOR	PTFE	NATURAL	1
4	RETAINER RING	SUS 304	NATURAL	1
3	GASKET	SILICONE	RED	1
2	CONTACT PIN	BRASS	GOLD	1
1	SHELL	BRASS	GOLD	1
	DESCRIPTION	MATERIAL	FINISH	QTY

UNLESS OTHERWISE SPECIFIED DIMENSIONS ARE IN MILLIMETERS. DIMENSIONS IN [] ARE IN INCHES AND FOR CUSTOMER REFERENCE ONLY.
 UNLESS OTHERWISE SPECIFIED TOLERANCES FOR MILLIMETERS ARE:
 0.5 - 8mm ± 0.20mm
 8 - 30mm ± 0.40mm
 30 - 120mm ± 0.50mm
 UNLESS OTHERWISE SPECIFIED TOLERANCES FOR INCHES ARE:
 .020 - .315 = ± 0.007"
 .315 - 1.180 = ± 0.015"
 1.180 - 4.724 = ± 0.020"
 DO NOT SCALE DRAWING

APPROVALS	DATE
DRAWN M.ZHANG	10/20/10
CHECKED	
ISSUED	
SHEET 1 OF 1	
CAD FILE C:/CONNEX/132413.DWG	

<h1>Amphenol Connex</h1>			
PART DESCRIPTION SMA END LAUNCH RECEPT. PLUG (FOR .042" BOARD THICKNESS)			
PART NO. 132413			
DWG. NO. 132413.DWG	REV. B	SIZE A	SCALE NA