



Distributor of CNC Tech: Excellent Integrated System Limited

Datasheet of 1001-004-01010 - Connector Receptacle USB TypeA, Stacked 1.1 8 Position
Through Hole, Right Angle, Horizontal

Contact us: sales@integrated-circuit.com Website: www.integrated-circuit.com

Excellent Integrated System Limited

Stocking Distributor

Click to view price, real time Inventory, Delivery & Lifecycle Information:

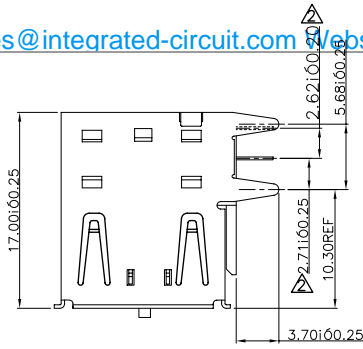
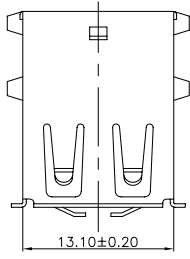
[CNC Tech](#)

[1001-004-01010](#)

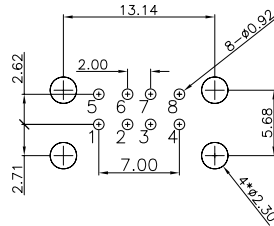
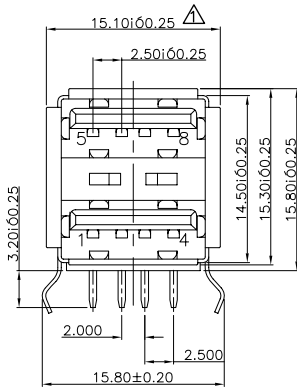
For any questions, you can email us directly:

sales@integrated-circuit.com

Contact us: sales@integrated-circuit.com / [website: www.integrated-circuit.com](http://www.integrated-circuit.com)



NOTES:
 MATERIAL:
 CONTACTS:BRASS T=0.25mm
 INSULATOR:PBT+30%G.F. UL 94V-0
 FRONT SHELL:BRASS T=0.30mm
 BACK SHELL:SPCC T=0.30mm
 SPRING:SPCC
 MECHANICAL:
 MATING:35N MA
 WITHDRAWAL FORCE:10N MIN
 DURABILITY:1500CYCLES MIN
 ELECTRICAL:
 CURRENT RATING1.5A
 VOLTAGE RATING:30V
 WITHSTANDING VOLTAGE:750V AC
 CONTACT RESISTANCE:25mΩ MAX
 INSULATION RESISTANCE:1000MΩ MIN
 PLATING
 CONTACTS:GOLD FLASH AND TIN OVER NICKEL PLATED
 SHELL:NICKEL OVER ALL PLATING
 ENVIRONMENTAL:
 TEMPERATURE RANGE:-55±XC TO+85±XC



P.C.B LAYOUT

10/01/30	ING	EG-N1012072			A3
09/12/29	BENDEE	EG-H12067	變更尺寸標注位置		A2
DATE	DR.BY	ECN.NO.	DESCRIPTION	MARK	VER.
-TOLERANCES- UNLESS OTHERWISE SPECIFIED 公差參考表			CnC Tech,LLC		
X.X	±0.38	X.X'	±2.0'	TITLE: USB 8P A/F 雙層DIP 90°雙彈片5U"成品	
X.XX	±0.25	X.XX'	±1.0'	APPD:	PRODUCT NO: 1001-004-01010
X.XXX	±0.13	X.XXX'	±0.5'	CHECK:	DATE SCALE UNIT TYPE PAGE
				DRAW:	2010.01.30 1:1 mm CD 1/1