

Excellent Integrated System Limited

Stocking Distributor

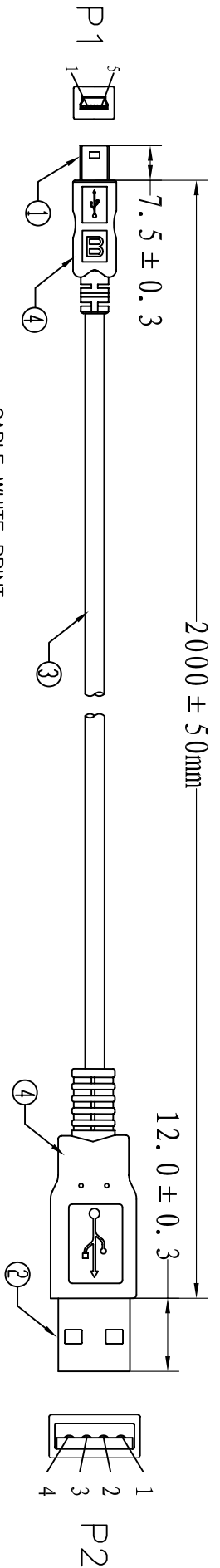
Click to view price, real time Inventory, Delivery & Lifecycle Information:

[CNC Tech](#)
[102-1031-BL-00200](#)

For any questions, you can email us directly:

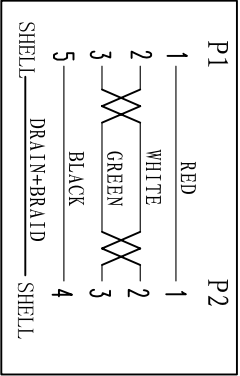
sales@integrated-circuit.com

UNIT:mm

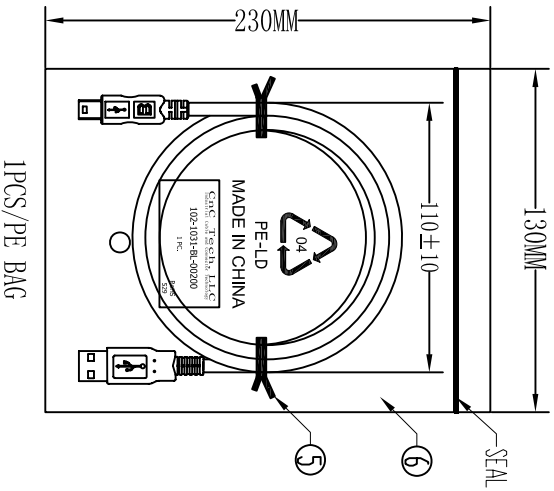


CABLE WHITE PRINT
 HI-SPEED USB Revision 2.0 SHIELDED 28AWG/1P+28AWG/2C
 E189529 AWM STYLE 2725 80°C 30V VW-1 VEGA TECH

PIN ASSIGNMENT:




Electrical test:
 1. 100% short, open, miswire test
 2. Conduct resistance: 2 Ohm(max)
 3. Insulation resistance: 10Mohm(min)
 4. dielectric test: DC 300V



1PCS/PE BAG

①	PE BAG	1/10	CLEAR SIZE: 280*330*0.05mm PRINT BLACK"MADE IN CHINA"+"10PCS"及印生产日期, 有透气孔.
②	PE BAG	1	CLEAR SIZE: 130*230*0.05mm PRINT BLACK"MADE IN CHINA"+"1PC"及印生产日期, 有透气孔.
③	TIE	1	BLACK L=80mm
④	OUT JACKET	12g	BLACK PVC-50P (MOULD NO:WM-40 & WM-88)
⑤	CABLE	1	BLACK USB2.0 UL2725 28#/1P+28#/2C+AEB OD:3.8mm L=2000±15
⑥	CONN	1set	USB2.0 刺破式 ATYPPE MALE SHELL:NICKEL PIN:GF 4PCS TYPE INSULATOR COLOR:WHITE
⑦	CONN	1set	USB2.0 刺破式 MINI 5P MALE SHELL:NICKEL PIN:GF 3PCS INSULATOR COLOR:BLACK

CNC Tech, LLC			
Industrial Cable and Connector Technology			
DRAWN	ZHONGHS	DRAWING NO	
CHECKED		CUSTOMER	
APPROVAL		ITEM NO.	102-1031-BL-0020
DECIDED		DATE	2012-02-16
VERSIONS/EDITION	A/0	PROJECTION	

4

3

2

1