

Excellent Integrated System Limited

Stocking Distributor

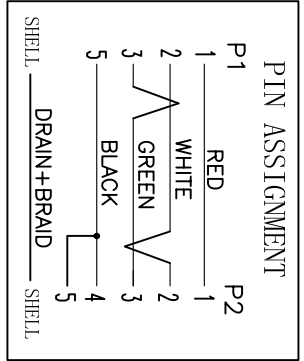
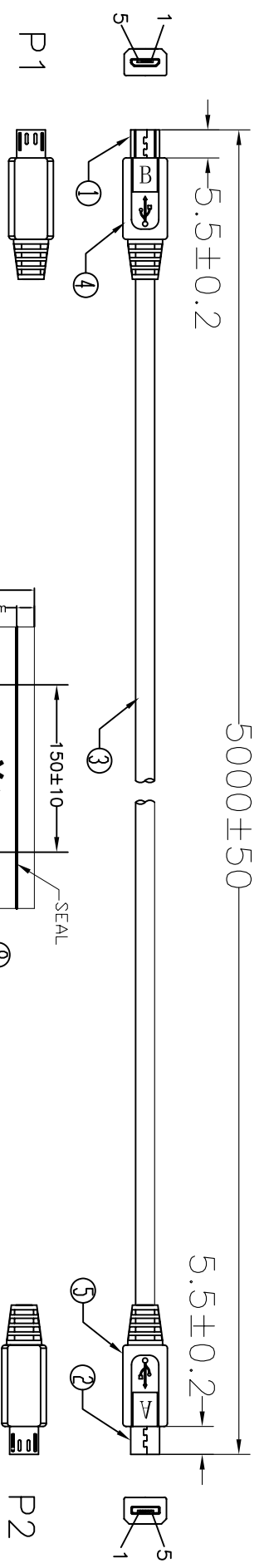
Click to view price, real time Inventory, Delivery & Lifecycle Information:

[CNC Tech](#)
[102-1102-BL-00500](#)

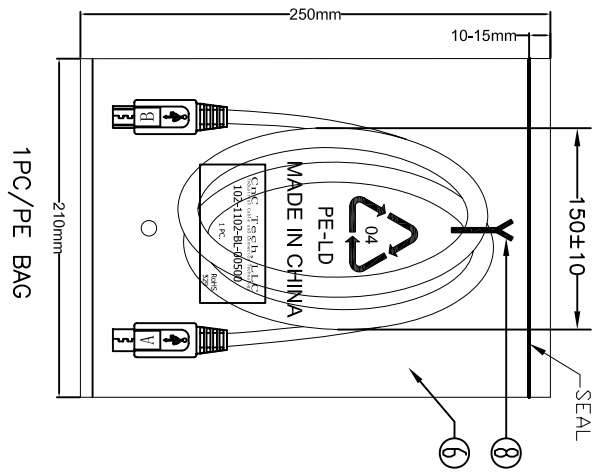
For any questions, you can email us directly:

sales@integrated-circuit.com


UNIT:mm



Electrical test:
 1. 100% short, open, miswire test
 2. Conduct resistance: 5 Ohm(max)
 3. Insulation resistance: 10Mohm(min)
 4. dielectric test: DC 300V



⑧	TIE	1	BLACK L=120mm
⑦	PE BAG	1/5	CLEAR SIZE: 330*380*0.05mm PRINT BLACK"MADE IN CHINA"+"5PCS"及印生产周期,有透气孔.
⑥	PE BAG	1	CLEAR SIZE: 210*250*0.05mm PRINT BLACK"MADE IN CHINA"+"1PC"及印生产周期,有透气孔.
⑤	OUT JACKET	6g	BLACK PVC-40P (MOULD NO:WM-173)
④	OUT JACKET	6g	BLACK PVC-40P (MOULD NO:WM-116)
③	CABLE	1	USB2.0 UL2725 [28AWG(7/0.12TC+AL)*1P+28AWG(7/0.12TC)*2C]+AEB(48B TC) JACKET:BLACK OD:3.5mm L=5000±15mm
②	CONN	1	MICRO USB 5P A/M SOLDER TYPE SHELL:NICKEL PIN:G/G/F INSULATOR COLOR:BLACK
①	CONN	1	MICRO USB 5P B/M SOLDER TYPE SHELL:NICKEL PIN:G/G/F INSULATOR COLOR:BLACK

CNC Tech, LLC		VERSIONS/EDITION	A/0	PROJECTION	
		INDUSTRIAL Cable and Connector Technology			
DRAWN	ZHONGHS	DRAWING NO			
CHECKED		CUSTOMER			
APPROVAL		ITEM NO.	102-1102-BL-00500		
DECIDED		DATE	2012-02-16		

4

3

2

1