

Excellent Integrated System Limited

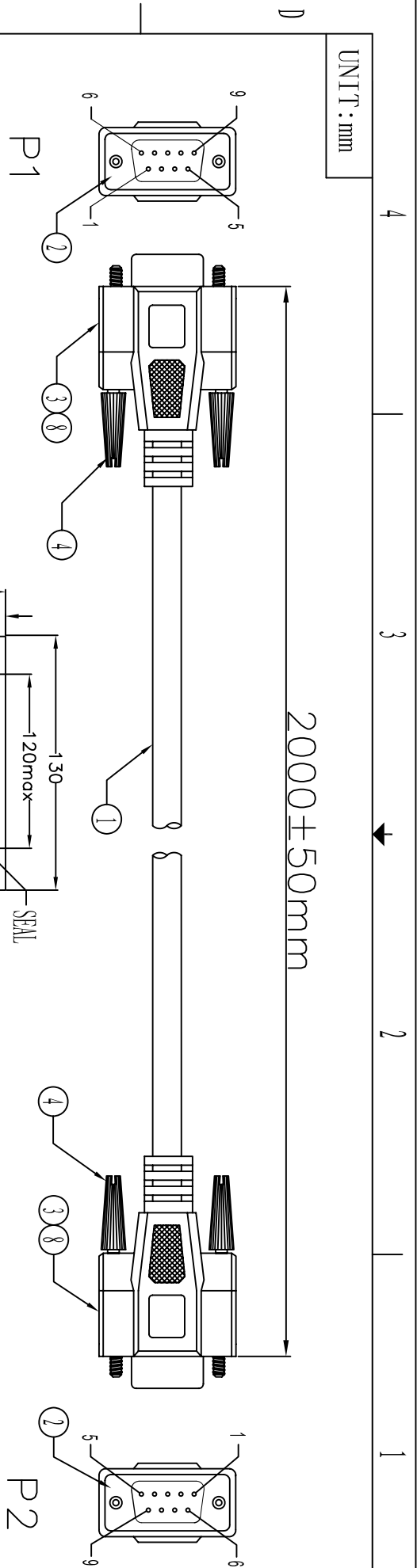
Stocking Distributor

Click to view price, real time Inventory, Delivery & Lifecycle Information:

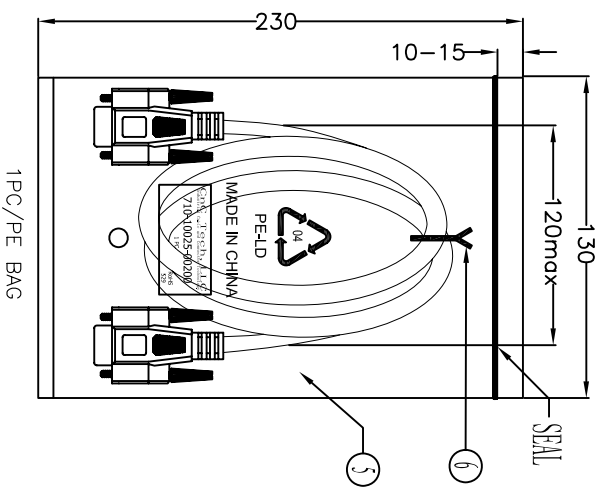
[CNC Tech](#)
[710-10025-00200](#)

For any questions, you can email us directly:

sales@integrated-circuit.com



Electronic Test:
 1. 100% Test, (Open, Short, Miss Wire)
 2. Contact Resistance: 2 ohm max.
 3. Insulation Resistance: 5M ohm min.
 4. Hi-Pot: 100V DC/10ms



PIN ASSIGNMENT

P1	1	BLACK	P2	1
2	GREY	2	2	
3	YELLOW	3	3	
4	PURPLE	4	4	
5	ORANGE	5	5	
6	RED	6	6	
7	BROWN	7	7	
8	GREEN	8	8	
9	BLUE	9	9	
SHELL	D.W	SHELL	9	

⑧	TUBE	2	HEAT SHRINK TUBE BLACK OD:1.5*1.15MM
⑦	PE BAG	1/10	CLEAR SIZE:280*330*0.05mm PRINT BLACK*MADE IN CHINA*10PCS*及印生产日期,有透气孔.
⑥	TIE	1	WHITE L=100mm
⑤	PE BAG	1	CLEAR SIZE:130*230*0.05mm PRINT BLACK*MADE IN CHINA*1PC*及印生产日期,有透气孔.
④	OUT JACKET	10.7g	BEIGE(V-29) 30P PVC(LS-003)
③	SCREW	4	SCREW:#4-40UNC L47mm,NICKEL PLATED
②	IN JACKET	43.5g	BEIGE(V-29) 40P PVC(MOULD NO:WM-113)
①	CONIN	8g	CLEAR LDPE(MOULD NO:NM-049)
①	CABLE	1	DB 9PIN FEMALE PIN G/F SHELL-NICKEL SOLDER TYPE INSULATION COLOR BLUE NOUL 30AMG(7.0.10)*9C+D+W+L/MY-JACKET COROL:BEIGE(V-29) OD:5.0mm. L2000±10mm.

Industrial Cable and Connector Technology

DRAWN BY		ZHONGHS	DARWING NO.	
CHECKED BY			CUSTOMER	
APPROVAL BY			ITEM NO.	
DECIDE BY			DATE	
VERSIONS/EDITION		A/0	PROJECTION	

710-10025-00200
 2012-02-06

4 3 2 1

UNIT : mm

2000±50mm

P1

P2

②

⑤

⑨

①

⑥

③

⑧

④

⑦

⑩

⑪

⑫

⑬

⑭

⑮

⑯

⑰

⑱

⑲

⑳

㉑

㉒

㉓

㉔

㉕

㉖

㉗

㉘

㉙

㉚

㉛

㉜

㉝

㉞

㉟

㊱

㊲

㊳

㊴

㊵

㊶

㊷

㊸

㊹

㊺

㊻

㊼

㊽

㊾

㊿

0

1

2

3

4

5

6

7

8

9

10

11

12

13

14

15

16

17

18

19

20

21

22

23

24

25

26

27

28

29

30

31

32

33

34

35

36

37

38

39

40

41

42

43

44

45

46

47

48

49

50

51

52

53

54

55

56

57

58

59

60

61

62

63

64

65

66

67

68

69

70

71

72

73

74

75

76

77

78

79

80

81

82

83

84

85

86

87

88

89

90

91

92

93

94

95

96

97

98

99

100