

Excellent Integrated System Limited

Stocking Distributor

Click to view price, real time Inventory, Delivery & Lifecycle Information:

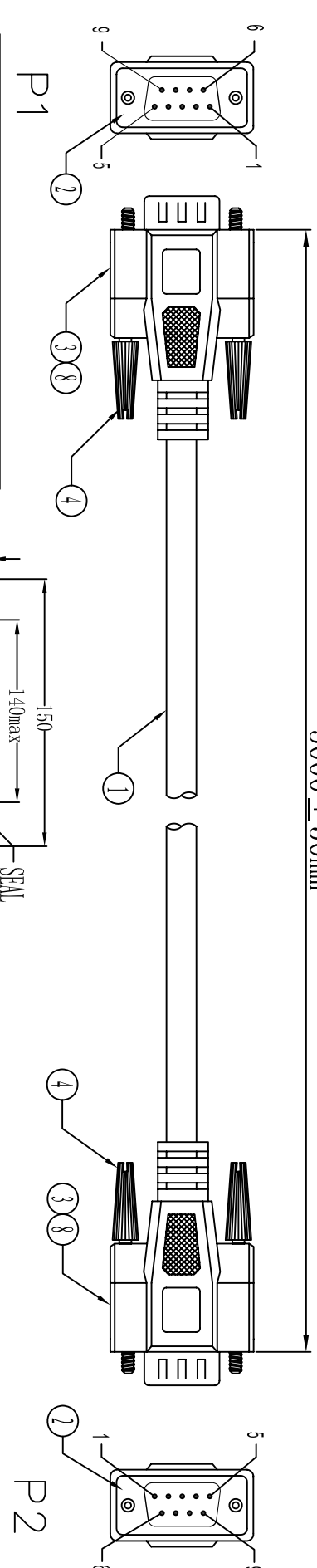
[CNC Tech](#)
[710-10036-00300](#)

For any questions, you can email us directly:

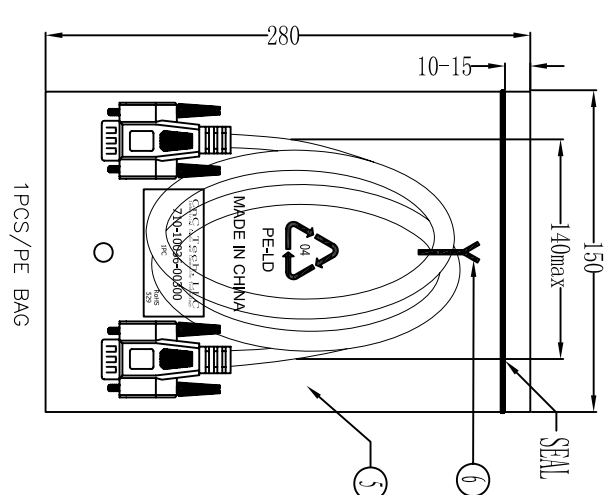
sales@integrated-circuit.com

UNIT : mm

3000 ± 50mm



Electronic Test:
 1.100% Test,(Open,Short,Miss Wire)
 2.Contact Resistance:2 ohm max.
 3.Insulation Resistance:5M ohm min.
 4.Hi-Pot:300V DC.



PIN ASSIGNMENT	
P1	P2
1	1
2	2
3	3
4	4
5	5
6	6
7	7
8	8
9	9
SHELL	SHELL

NO.	NAME	Q'TY	SPECIFICATION
⑧	TUBE	2	HEAT SHRINK TUBE BLACK OD1.5*1.15MM
⑦	PE BAG	1/10	CLEAR SIZE:360*380*0.05mm PRINT BLACK*MADE IN CHINA*+*10PCS* 及生产*周期, 有透气孔.
⑥	TIE	1	WHITE L=130mm
⑤	PE BAG	1	CLEAR SIZE:150*280*0.05mm PRINT BLACK*MADE IN CHINA* 及生产*周期, 有透气孔.
④	SCREW	4	SCREW:#4-40UNC D-E L32.5mm,NICKEL PLATED,INSULATION COLOR BEIGE(V-29).
③	OUT JACKET	43.5g	BEIGE(V-29) 40P PVC(MOULD NO:WM-113)
②	CONIN	2	DB 9PIN MALE PIN G/F SHELL-NICKEL SOLDER TYPE INSULATION COLOR BLUE
①	CABLE	1	NOUL 30AMG(7.0.10)*9C+D+W+A/L/MY+JACKET COROL:BEIGE(V-29) OD:5.0mm. L3000±15mm.

CNC Tech, LLC Industrial Cable and Connector Technology			
CHECKED BY		CUSTOMER	
APPROVAL BY		ITEM NO.	710-10036-00300
DECIDE BY		DATE	2012-02-06
VERSIONS/EDITION	A/0	PROJECTION	