

Excellent Integrated System Limited

Stocking Distributor

Click to view price, real time Inventory, Delivery & Lifecycle Information:

[CNC Tech](#)

[800-1601-0-SJT0-BL-00150](#)

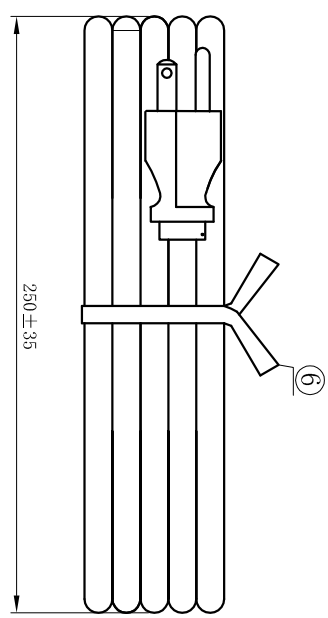
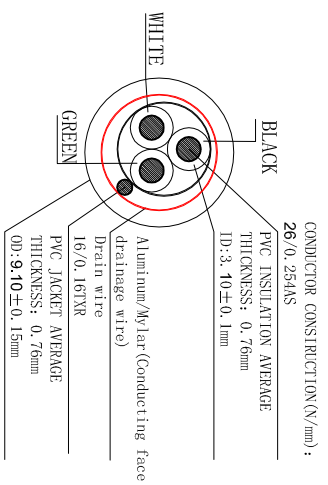
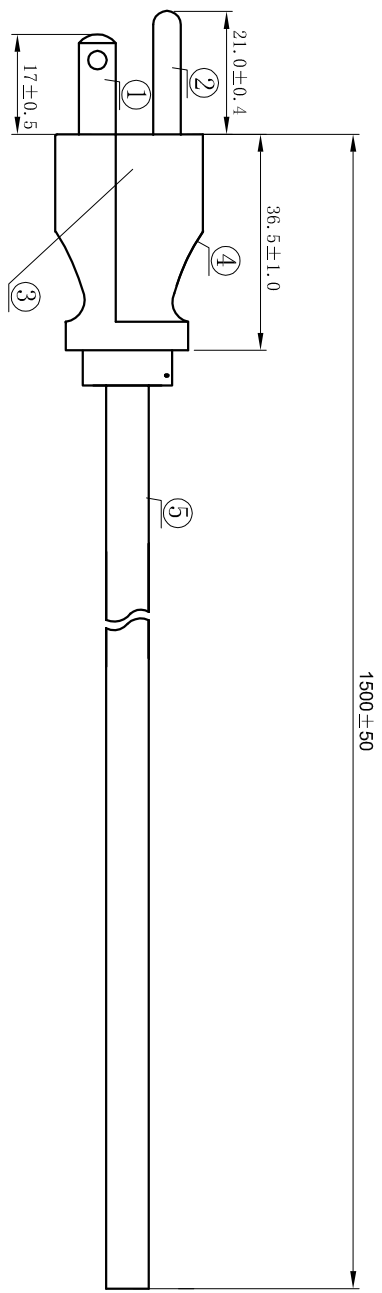
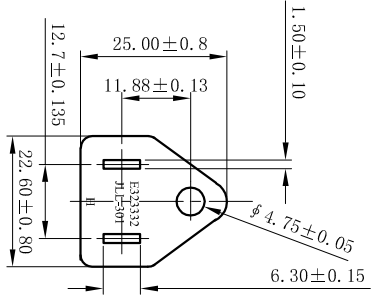
For any questions, you can email us directly:

sales@integrated-circuit.com

CnC Tech, LLC
 Industrial Cable and Connector Technology

Engineer drawing

PART NO.	JLL-301	WIRE	SCALE	1 : 1
DESCRIPTION	SJT#16*3C 60C SHIELDED	UNIT:	mm	
DWG No.	800-1601-0-SJT0-BL-00150			



- NOTES:**
- 1) JACKET COLOR: BLACK
 - 2). E-GREEN; L-BLACK ; N-WHITE
- TESTING:**
- 1) 100% OPEN & SHORT TESTING
 - 2) INSULATION RESISTANCE: 100M ohm (min)
 - 3) VOLTAGE: DC500V/1min
 - 4) ROHS COMPLIANT

Printing the contents of wire	The use of printing ink replenish wire
E243929 (UL) SJT 3X16AWG(1.31mm) VW-1 SHIELDED T 3X16AWG(1.31mm) F12 SHIELDED 60 C 300V -1P-	60 C 300V CSA 228191 SJ

REV	DATE	DESCRIPTION	SYMBOL
DRAWN/DATE		CHECKED/DATE	
GONG/10.11.3		ZHUYING/10.11.3	

NO.	SPECIFICATION	COLOR	MATERIAL	AMOUNT
①	Load terminals 98661	Silver	Cu	2P
②	Grounding terminal 97475	Silver	Cu	1P
③	Model aircraft 8661AW-3P	WHITE	PBT	1PCS
④	Plug JLL-301	BLACK	PVC Cu	1PCS
⑤	Wire SJT 16AWG/3C 60°	BLACK	PVC Cu	1PCS
⑥	Ties	BLACK		1PCS