



Distributor of CNC Tech: Excellent Integrated System Limited

Datasheet of 800-18-4-0-SVT0-BL-00200 - CORD PWR MALE-FML 18AWG X 3C 2M

Contact us: sales@integrated-circuit.com Website: www.integrated-circuit.com

Excellent Integrated System Limited

Stocking Distributor

Click to view price, real time Inventory, Delivery & Lifecycle Information:

[CNC Tech](#)

[800-18-4-0-SVT0-BL-00200](#)

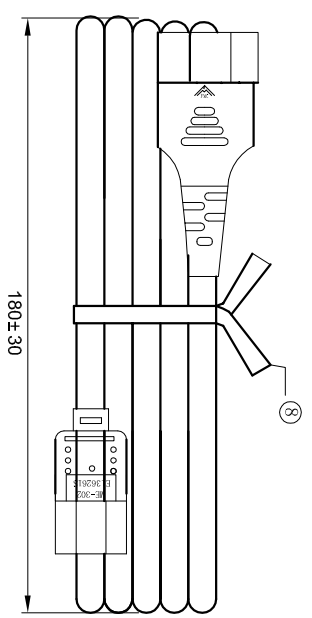
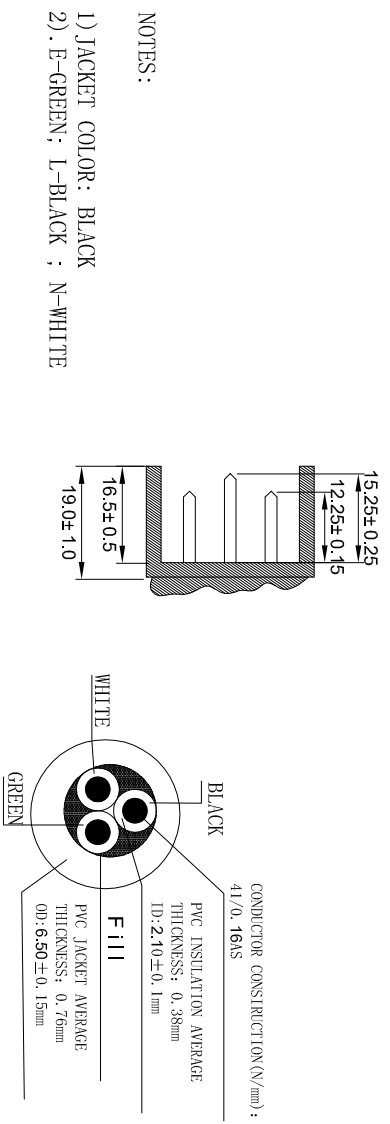
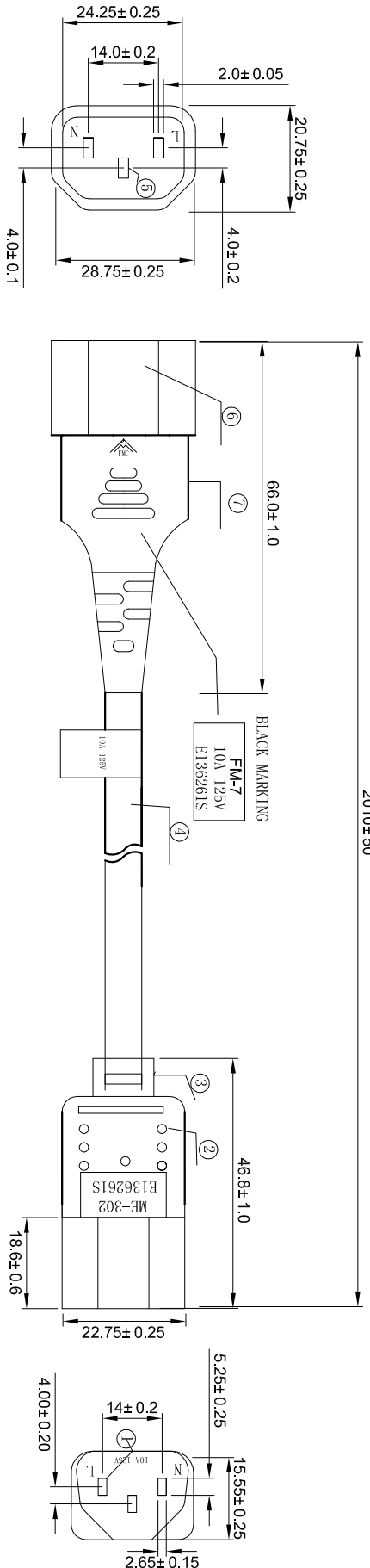
For any questions, you can email us directly:

sales@integrated-circuit.com

CnC Tech, LLC
 Industrial Cable and Connector Technology

Engineer
 drawing

PART NO.	FM-7 ME-302	WIRE	SCALE	1 : 1
DESCRIPTION	SVT#18*3C 60C		UNIT:	mm
DWG No.	800-18-4-0-SVT0-BL-00200			



Printing the contents of wire

The use of printing ink replenish Wire

REV	DATE	DESCRIPTION	SYMBOL
DRAWN/DATE	CHECKED/DATE	GONG/11.05.13	
CAL/10.05.10			

NO.	SPECIFICATION	COLOR	MATERIAL	AMOUNT
①	play home terminals	Silver	Cu	3P
②	Model airtcraft	WHITE	PBT	1PCS
③	Mother play MF-302	BLACK	PVC Cu	1PCS
④	Wire SVT 18AWG/3C 60°C	BLACK	PVC Cu	1PCS
⑤	Interpolation public terminal	Silver	Cu	3P
⑥	Moldbase inserted within the public	WHITE	PBT	1PCS
⑦	Public play FM-7	BLACK	PVC Cu	1PCS
⑧	Ties	BLACK	IPCS	1PCS

E243714 (UL) SVT 3X18AWG(0.824mm²) VW-1 60°C 300V CSA 228191 SVT 3X18 AWG(0.824mm²) FT2 60°C 300V -1F-