

Excellent Integrated System Limited

Stocking Distributor

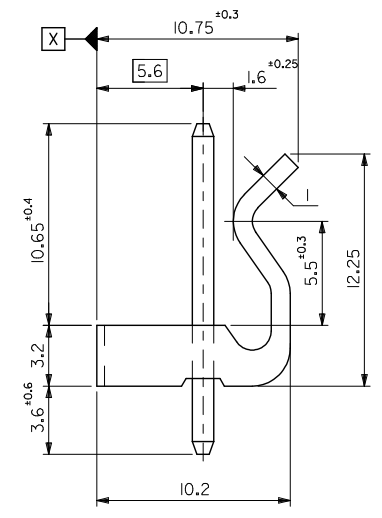
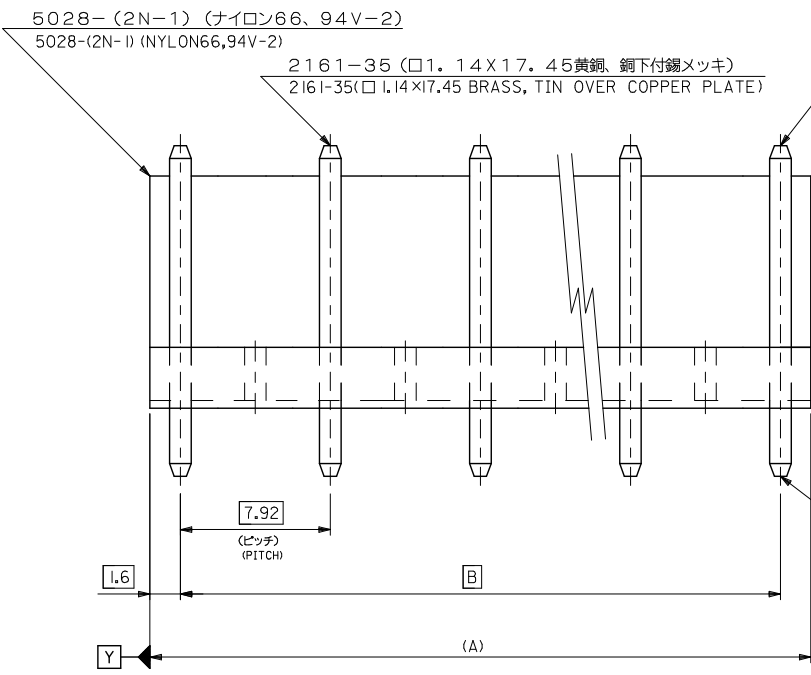
Click to view price, real time Inventory, Delivery & Lifecycle Information:

[Molex Connector Corporation](#)
[0010634047](#)

For any questions, you can email us directly:

sales@integrated-circuit.com

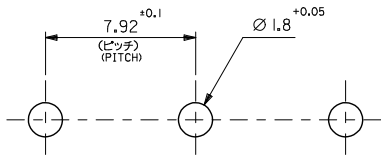
10 9 8 7 6 5 4 3 2 1



注記
NOTE

ウェハーのそりは、長さ25.4に対して0.24最大。
CAMBER OF WAFER MUST BE 0.24mm MAX. PER 25.4mm.

39.6	42.8	10-63-4067	5096-06C	6
31.68	34.88	10-63-4057	5096-05C	5
23.76	26.96	10-63-4047	5096-04C	4
15.84	19.04	10-63-4037	5096-03C	3
7.92	11.12	10-63-4027	5096-02C	2
B	(A)	EDP.NO.	MATERIAL NO.	NO. OF CTS.



基板取付穴推奨寸法
RECOMMENDED PC BOARD HOLE DIMENSION

REVISED REV. NO. J2014-1224 DRAWN:TAJIMA01 2014/02/04 CHKD:KASAKAWA 2014/02/10 APPR:MIKITA 2014/02/10	GENERAL TOLERANCES (UNLESS SPECIFIED)		DIMENSION STYLE	SCALE	DESIGN UNITS	MODEL NO. 5096-NC THIRD ANGLE PROJECTION
	10 UNDER ±0.2		MM ONLY	5:1	METRIC	
	10 OVER 30 UNDER ±0.25		DRAWN BY M. HARA DATE '96/6/20	TITLE		
	30 OVER ±0.3		CHECKED BY M. FUKUSHIMA DATE '96/6/20	KK7.92 WAFER ASSY WITH LOCK		
ANGULAR ±3°		APPROVED BY M. ENOMOTO DATE '96/6/20	MATERIAL NO.	DOCUMENT NO.	SHEET NO. 1 OF 1	
DRAFT WHERE APPLICABLE MUST REMAIN WITHIN DIMENSIONS		SEE TABLE				
THIS DRAWING CONTAINS INFORMATION THAT IS PROPRIETARY TO MOLEX INCORPORATED AND SHOULD NOT BE USED WITHOUT WRITTEN PERMISSION						

9 8 7 6 5 4 3 2