



**Distributor of Molex Connector Corporation: Excellent Integrated System Limited**  
Datasheet of 0010845091 - Connector Header 9 Position 0.250" (6.35mm) Tin Through Hole

Contact us: [sales@integrated-circuit.com](mailto:sales@integrated-circuit.com) Website: [www.integrated-circuit.com](http://www.integrated-circuit.com)

---

## **Excellent Integrated System Limited**

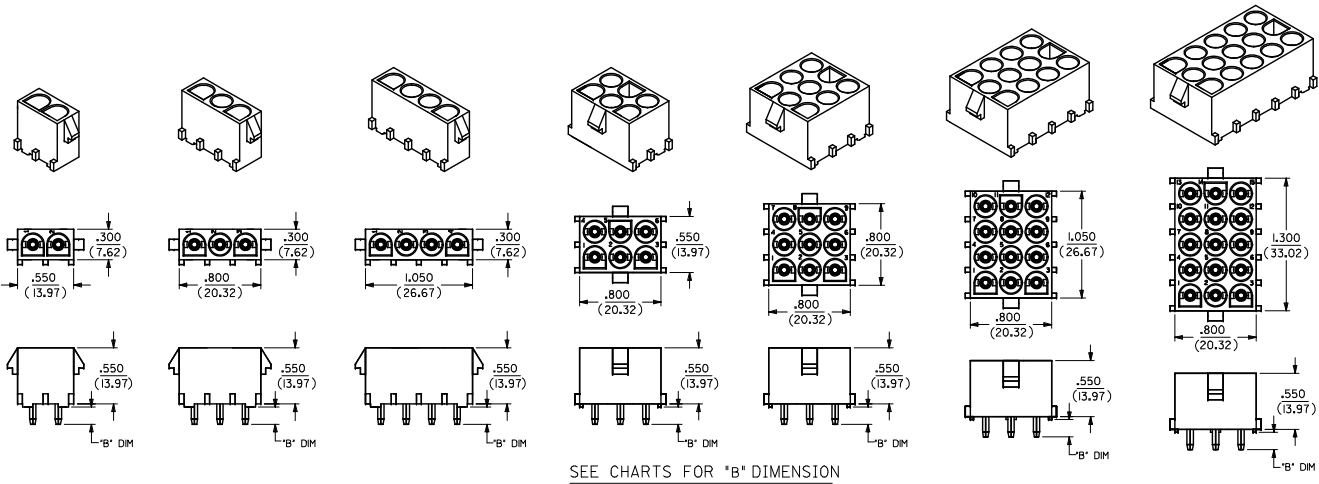
Stocking Distributor

Click to view price, real time Inventory, Delivery & Lifecycle Information:

[Molex Connector Corporation](#)  
[0010845091](#)

For any questions, you can email us directly:

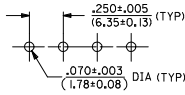
[sales@integrated-circuit.com](mailto:sales@integrated-circuit.com)



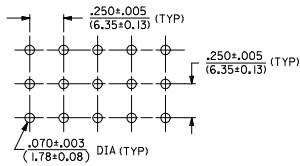
SEE CHARTS FOR \*B\* DIMENSION

P.C. BOARD  
MOUNTING DIMENSIONS

2, 3, & 4 POSITION HEADER ASSEMBLIES



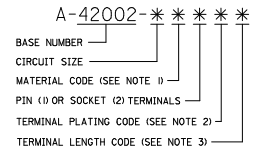
6, 9, 12 & 15 POSITION HEADER ASSEMBLIES



NOTES:

- MATERIAL CODES:  
 \*A\* = NYLON (PA66), UL94V-2, COLOUR: NATURAL  
 \*C\* = POLYESTER (PBT), UL94V-0, COLOR: NATURAL(WHITE)  
 \*D\* = NYLON (PA66), UL94V-2, COLOR: BLACK
- PLATING CODES: A = ES-88-P921  
 140 Hx3.54 MIN 240 Hx16H MAX OVERALL TIN HOT-DIPPED
- TERMINAL LENGTH CODES:  
 1 = TERMINAL FOR .062(1.57) THICK PC BOARD
- DIMENSIONS ARE FOR REFERENCE ONLY UNLESS INDICATED OTHERWISE
- HEADER ASSEMBLY HOUSING MATE WITH:  
 PLUG HOUSINGS, .084(2.13) DIA. SERIES 42021
- CONTACTS ARE ON .250(6.35) GRID CENTERLINE SPACING
- REFER PACKAGING SPECIFICATION  
 - PK-43255-001 FOR 2,3 & 4 CIRCUIT  
 - PK-43255-003 FOR 6,9,12 & 15 CIRCUIT

LEGEND:



RoHS COMPLIANT

REMOVED SERIES 36757 EC NO: 12016-0100 DRW: MS306 CHKD: APPR: LSHWARG REV: 2016/01/20	QUALITY SYMBOLS	GENERAL TOLERANCES (UNLESS SPECIFIED)	DIMENSION STYLE IN/MM	SCALE NTS	DESIGN UNITS INCH	THIRD ANGLE PROJECTION	
	▽=0	m m INCH	DRAWN BY SSUDHIR DATE 2004/06/08	TITLE	HEADER HOUSING ASSEMBLY .084(2.13) DIA. SERIES		
	▽=0	4 PLACES ±--- ±--- 3 PLACES ±--- ±.005 2 PLACES ±0.13 ±.010 1 PLACE ±0.25 ±--- 0 PLACE ±--- ±---	CHECKED BY GJLOWE DATE 2004/06/08	APPROVED BY GJLOWE DATE 2004/06/08			
	▽=0	ANGULAR ±---°	MATERIAL NO. SEE CHART	DOCUMENT NO. SDA-42002-*****			
D5	DRAFT WHERE APPLICABLE MUST REMAIN WITHIN DIMENSIONS	SIZE A Z	THIS DRAWING CONTAINS INFORMATION THAT IS PROPRIETARY TO MOLEX INCORPORATED AND SHOULD NOT BE USED WITHOUT WRITTEN PERMISSION				

PART NO.	ENG. NO.	CIRCUIT SIZE	MATERIAL (SEE NOTE 1)	HOUSING PART NO.	PLATING (SEE NOTE 2)	TERMINAL PART NO.	'B' DIM ±.015
10-84-4020	A-42002-2A1A1	2	A	42002-2A	A	42005-P921A	.17/(4,3)
10-84-5020	A-42002-2C1A1		C	42002-2C	A	42005-P921A	
10-84-4022	A-42002-2A2A1		A	42002-2A	A	42006-P921A	
10-84-5022	A-42002-2C2A1		C	42002-2C	A	42006-P921A	
367590101	36759-0101		D	366480042	A	42005-P921A	
367590141	36759-0141	D	366480042	A	42006-P921A		
10-84-4030	A-42002-3A1A1	3	A	42002-3A	A	42005-P921A	.17/(4,3)
10-84-5030	A-42002-3C1A1		C	42002-3C	A	42005-P921A	
10-84-4032	A-42002-3A2A1		A	42002-3A	A	42006-P921A	
10-84-5032	A-42002-3C2A1		C	42002-3C	A	42006-P921A	
367590102	36759-0102		D	366480043	A	42005-P921A	
367590142	36759-0142	D	366480043	A	42006-P921A		
10-84-4040	A-42002-4A1A1	4	A	42002-4A	A	42005-P921A	.17/(4,3)
10-84-5040	A-42002-4C1A1		C	42002-4C	A	42005-P921A	
10-84-4042	A-42002-4A2A1		A	42002-4A	A	42006-P921A	
10-84-5042	A-42002-4C2A1		C	42002-4C	A	42006-P921A	
367590103	36759-0103		D	366480044	A	42005-P921A	
367590143	36759-0143	D	366480044	A	42006-P921A		
10-84-4060	A-42002-6A1A1	6	A	42002-6A	A	42005-P921A	.17/(4,3)
10-84-5060	A-42002-6C1A1		C	42002-6C	A	42005-P921A	
10-84-4062	A-42002-6A2A1		A	42002-6A	A	42006-P921A	
10-84-5062	A-42002-6C2A1		C	42002-6C	A	42006-P921A	
367590104	36759-0104		D	366480045	A	42005-P921A	
367590144	36759-0144	D	366480045	A	42006-P921A		
10-84-4090	A-42002-9A1A1	9	A	42002-9A	A	42005-P921A	.17/(4,3)
10-84-5090	A-42002-9C1A1		C	42002-9C	A	42005-P921A	
10-84-4092	A-42002-9A2A1		A	42002-9A	A	42006-P921A	
10-84-5092	A-42002-9C2A1		C	42002-9C	A	42006-P921A	
367590105	36759-0105		D	366480046	A	42005-P921A	
367590145	36759-0145	D	366480046	A	42006-P921A		
10-84-4120	A-42002-12A1A1	12	A	42002-12A	A	42005-P921A	.17/(4,3)
10-84-5120	A-42002-12C1A1		C	42002-12C	A	42005-P921A	
10-84-4122	A-42002-12A2A1		A	42002-12A	A	42006-P921A	
10-84-5122	A-42002-12C2A1		C	42002-12C	A	42006-P921A	
367590106	36759-0106		D	366480047	A	42005-P921A	
367590146	36759-0146	D	366480047	A	42006-P921A		
10-84-4150	A-42002-15A1A1	15	A	42002-15A	A	42005-P921A	.17/(4,3)
10-84-5150	A-42002-15C1A1		C	42002-15C	A	42005-P921A	
10-84-4152	A-42002-15A2A1		A	42002-15A	A	42006-P921A	
10-84-5152	A-42002-15C2A1		C	42002-15C	A	42006-P921A	
367590107	36759-0107		D	366480048	A	42005-P921A	
367590147	36759-0147	D	366480048	A	42006-P921A		

RoHS COMPLIANT

REMOVED SERIES 36757 EC NO. 2016-0100 APPROVED BY: [Signature] DATE: 2016/06/08 CHECKED: [Signature] DATE: 2016/06/08 APPROVED BY: [Signature] DATE: 2016/06/08	QUALITY SYMBOLS □=0 □=1 □=2	GENERAL TOLERANCES (UNLESS SPECIFIED) 2 PLACES ±.005 3 PLACES ±.010 2 PLACES ±.013 1 PLACE ±.025 0 PLACE ±.000	DIMENSION STYLE IN/MM DRAWN BY: S.SUJHIR DATE: 2004/06/08 CHECKED BY: G.JLOWE DATE: 2004/06/08 APPROVED BY: G.JLOWE DATE: 2004/06/08	SCALE: NTS DESIGN UNITS: INCH THIRD ANGLE PROJECTION	TITLE: HEADER HOUSING ASSEMBLY .084/(2,13) DIA. SERIES	MATERIAL NO.: DOCUMENT NO.: SDA-42002-***** SHEET NO.: 2 OF 2
	DRAFT WHERE APPLICABLE MUST REMAIN WITHIN DIMENSIONS		SEE CHART		THIS DRAWING CONTAINS INFORMATION THAT IS PROPRIETARY TO MOLEX INCORPORATED AND SHOULD NOT BE USED WITHOUT WRITTEN PERMISSION	