

Excellent Integrated System Limited

Stocking Distributor

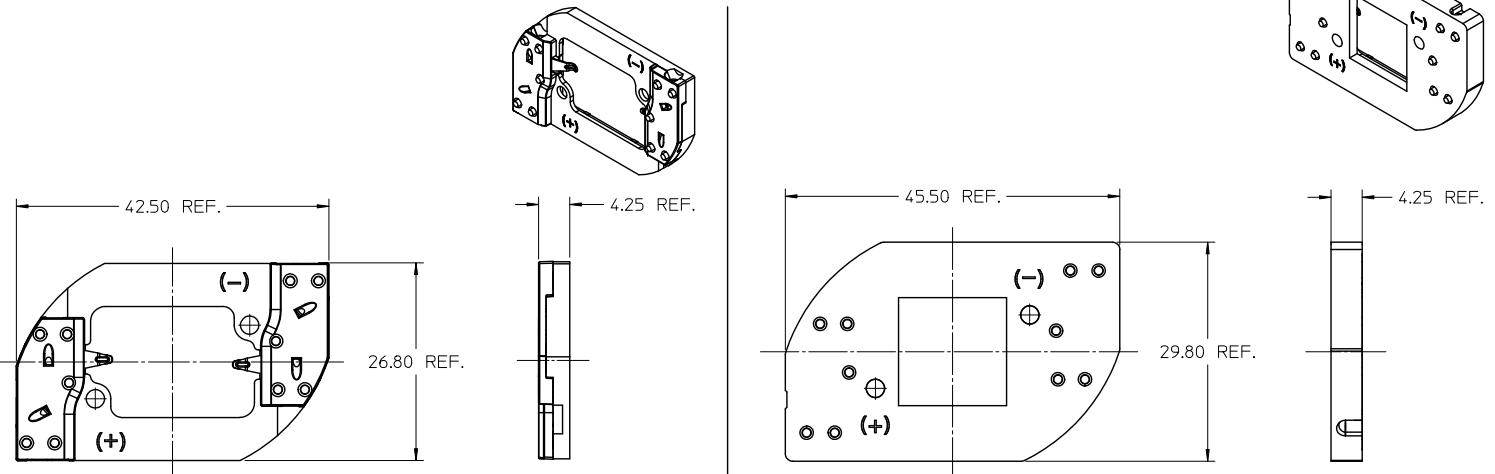
Click to view price, real time Inventory, Delivery & Lifecycle Information:

[Molex Connector Corporation](#)
[1802500001](#)

For any questions, you can email us directly:

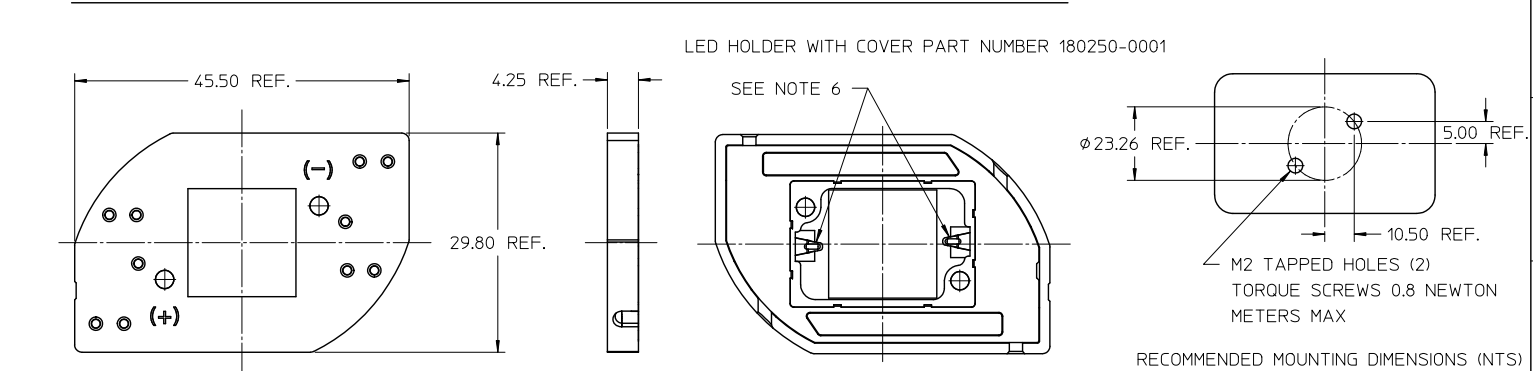
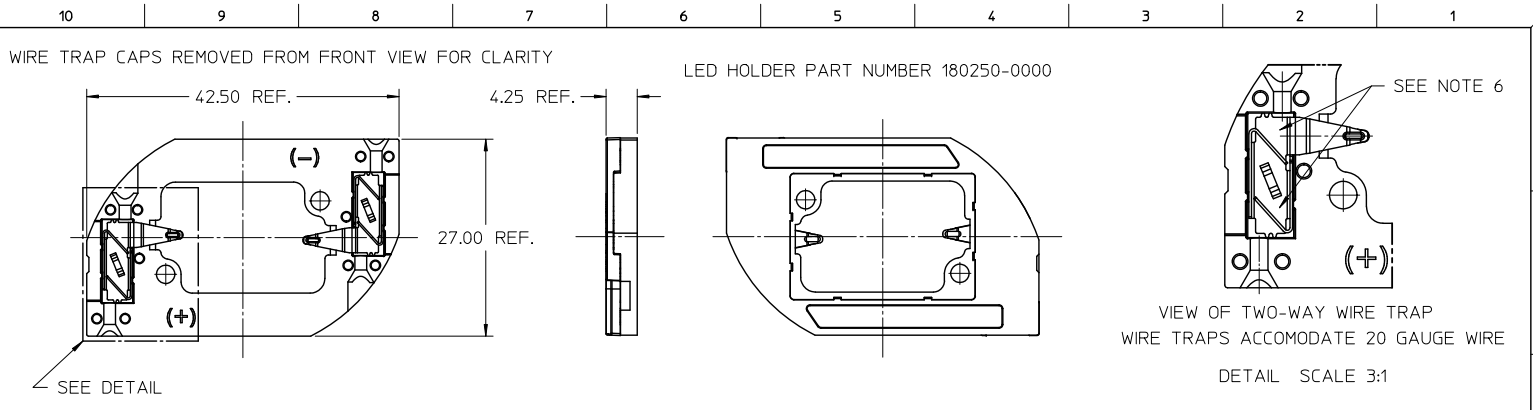
sales@integrated-circuit.com

PART NUMBER	DESCRIPTION
180250-0000	ILLUMITEX 500 LED HOLDER WITHOUT COVER
180250-0001	ILLUMITEX 500 LED HOLDER WITH COVER



- NOTES:
- MATERIALS:
 - CAPS: NATURAL COLOR PA66 NYLON 25% GF UL94V-0
 - HOUSING: NATURAL COLOR PA66 NYLON 25% GF UL94V-0
 - COVER: NATURAL COLOR PA66 NYLON 25% GF UL94V-0
 - WIRE TRAP TERMINALS: COPPER ALLOY
 - FINISH: GOLD OVER NICKEL
 - THIS PRODUCT IS ELV AND ROHS COMPLIANT
 - APPLICABLE WIRE GAUGE - 20 AWG
 - SOLID WIRE IS RECOMMENDED
 - IF STRANDED WIRE IS USED, PRE-TINNED IS RECOMMENDED
 - 1 cm STRIP LENGTH IS RECOMMENDED
 - MOUNT HOLDER USING M2 SCREWS (2), 0.8 NEWTON METERS MAX TORQUE
 - FOR POTTED APPLICATIONS, THE ENCAPSULANT MUST NOT ENTER THE WIRE TRAP OR CONTACT BEAM CAVITIES. ENCAPSULANT IN THESE AREAS MAY PREVENT ELECTRICAL CONTACT
 - UL RECOGNIZED TO UL496
 - UL RECOGNIZED TO CSA-C22.2 NO. 43 (2008)
 - RATED 600V
 - UL FILE NUMBER E345583, UL-0LFB2

ENTER DESCRIPTION EIC NO: SSL2012-0041 2011/11/01 DRAWN BY: JAKL I C CHKD: APPRE:DMCGOWAN 2011/11/02	QUALITY SYMBOLS	GENERAL TOLERANCES (UNLESS SPECIFIED)	DIMENSION STYLE	SCALE	DESIGN UNITS	THIRD ANGLE PROJECTION
	▽=0	mm INCH	MM ONLY	2:1	METRIC	
	▽=0	4 PLACES ± --- ± ---	DRAWN BY DATE	TITLE		
	▽=0	3 PLACES ± --- ± ---	F JAKL I C 2011/06/08	ILLUMITEX 500 LED HOLDER		
	2 PLACES ± 0.13 ± ---	CHECKED BY DATE	APPROVED BY DATE			
	1 PLACE ± 0.25 ± ---		DMCGOWAN 2011/06/21			
	ANGULAR ± 1/2°	MATERIAL NO.		DOCUMENT NO.		
	DRAFT WHERE APPLICABLE MUST REMAIN WITHIN DIMENSIONS	SEE CHART		MOLEX INCORPORATED		
A1		SIZE B		SD-180250-001		
		THIS DRAWING CONTAINS INFORMATION THAT IS PROPRIETARY TO MOLEX INCORPORATED AND SHOULD NOT BE USED WITHOUT WRITTEN PERMISSION				



ENTER DESCRIPTION E.C. NO: SSL2012-0041 DRAWN: JAKL IC 2011/11/01 CHKD: APPRE:DMCGOWAN 2011/11/02 REV: A1	QUALITY SYMBOLS	GENERAL TOLERANCES (UNLESS SPECIFIED)		DIMENSION STYLE MM ONLY		SCALE 2:1	DESIGN UNITS METRIC	THIRD ANGLE PROJECTION
	▽=0	4 PLACES	±	---	---	DRAWN BY FJAKL IC	DATE 2011/06/08	TITLE ILLUMITEX 500 LED HOLDER
	▽=0	3 PLACES	±	---	---	CHECKED BY	DATE	MOLEX INCORPORATED DOCUMENT NO. SD-180250-001 SHEET NO. 2 OF 2
	▽=0	2 PLACES	±	0.13	±	APPROVED BY DMCGOWAN	DATE 2011/06/21	
		1 PLACE	±	0.25	±	MATERIAL NO.		
		ANGULAR ±1/2°		SEE CHART		THIS DRAWING CONTAINS INFORMATION THAT IS PROPRIETARY TO MOLEX INCORPORATED AND SHOULD NOT BE USED WITHOUT WRITTEN PERMISSION		
		DRAFT WHERE APPLICABLE MUST REMAIN WITHIN DIMENSIONS						