

## Excellent Integrated System Limited

Stocking Distributor

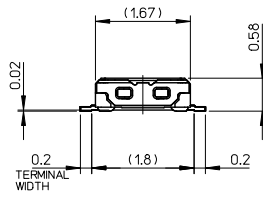
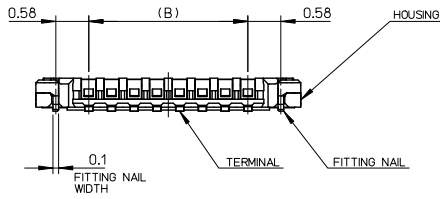
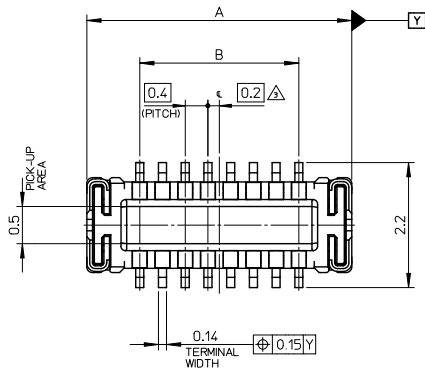
Click to view price, real time Inventory, Delivery & Lifecycle Information:

[Molex Connector Corporation](#)  
[5035521480](#)

For any questions, you can email us directly:

[sales@integrated-circuit.com](mailto:sales@integrated-circuit.com)

10 9 8 7 6 5 4 3 2 1



注記 NOTES

1. 使用材料 MATERIAL

ハウジング : 液晶ポリマー ( LCP ) UL94V-0 ( 黒 )  
HOUSING: LIQUID CRYSTAL POLYMER UL94V-0 (COLOR:BLACK)  
ターミナル : 銅合金  
TERMINAL : COPPER ALLOY  
金具 : 銅合金  
FITTING NAIL : COPPER ALLOY

2. メッキ仕様 PLATING

ターミナル TERMINAL

金メッキ  
GOLD

下地メッキ : ニッケルメッキ  
UNDER PLATING : NICKEL

※コンタクト部とテール部はニッケルメッキによって分断されている金メッキです。  
DIVIDE INTO PARTS THE GOLD PLATING OF THE CONTACT AND THE TAIL PART BY THE NICKEL PLATING.

金具 FITTING NAIL

金メッキ (テール部のみ)  
GOLD (ONLY TAIL PART)

下地メッキ : ニッケルメッキ  
UNDER PLATING : NICKEL

△ (全極数 / 2) = 偶数の場合に適用。  
APPLY FOR (CIRCUIT/2)=EVEN.

4. 嵌合相手 : 503548 シリーズ

MATE WITH : 503548 SERIES.

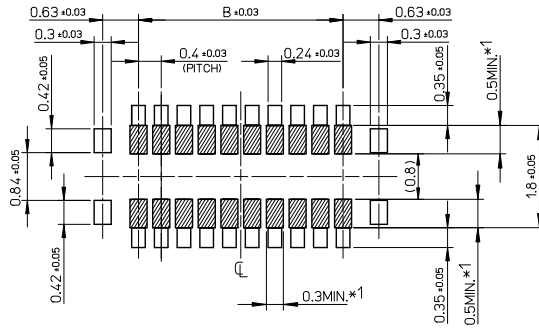
5. テール平坦度は、0.08 以下

テール及び金具の平坦度は、0.1 以下  
TAIL COPLANARITY TO BE 0.08 MAXIMUM.  
TAIL AND FITTING NAIL COPLANARITY TO BE 0.1 MAXIMUM.

3.2	5.06	503552-1880	18
2.8	4.66	503552-1680	16
2.4	4.26	503552-1480	14
2.0	3.86	503552-1280	12
0.8	2.66	503552-0680	6
B	A	EMBOSSED PACKAGE	極数
		オーダー番号 ORDER No.	CIRCUITS
		CONNECTOR SERIES No. : 503552-**89	

RELEASED EC NO. J2011-0380 DRAWN BY CHIKDRTAKEUCHI APPR:MSASAO 2010/09/10 2010/09/10	GENERAL TOLERANCES (UNLESS SPECIFIED)		DIMENSION STYLE	SCALE	DESIGN UNITS	THIRD ANGLE PROJECTION	
			MM ONLY	15:1	METRIC	◎ □	
	10 UNDER	± 0.2	DRAWN BY	DATE	TITLE		
	10 OVER 30 UNDER	± 0.25	NNAITO	2010/09/10	0.4 B-TO-B CONN HGT=0.7 W=2.6 HI-RETENTION PLUG ASSY CHECKER TYPE		
	30 OVER	± 0.3	CHECKED BY	DATE	MOLEX INCORPORATED		
ANGULAR ±1 °		APPROVED BY	DATE	DOCUMENT NO.		SHEET NO.	
DRAFT WHERE APPLICABLE MUST REMAIN WITHIN DIMENSIONS		MSASAO	2010/09/15	SEE CHART		1 OF 2	
		MATERIAL NO.		SD-503552-007			
		THIS DRAWING CONTAINS INFORMATION THAT IS PROPRIETARY TO MOLEX INCORPORATED AND SHOULD NOT BE USED WITHOUT WRITTEN PERMISSION					

10 9 8 7 6 5 4 3 2 1



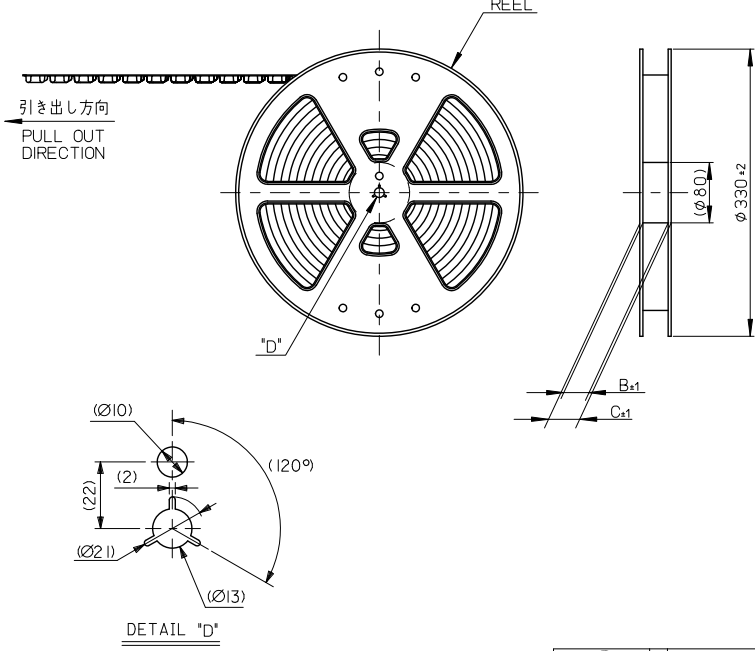
RECOMMENDED P.W. BOARD PATTERN LAYOUT

\*1 パターン引き直し、および半田禁止エリア  
(当該箇所においては、これと接する回路以外の配線を禁止する。  
また、接する回路を配線する場合はレジストを施し、この部分に半田は無きこととする。)

\*1 PROHIBITED AREA OF PATTERN WIRING AND SOLDER  
(FOR EACH AREA, THE WIRING THAT TOUCHES ON THE SOLDER CAN BE ATTACHED, THEN COVERED WITH A FILM TO KEEP SOLDER OUT.)

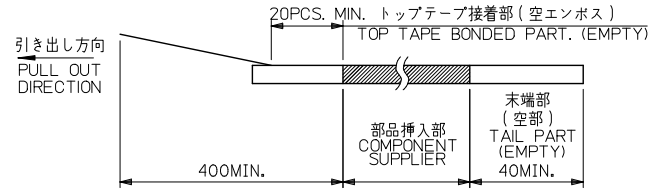
RELEASED EC NO. J2011-0380 DRAWN BY: DRWN:NAITO 2010/09/10 CHECKED BY: CHK:RTAKEUCHI 2010/09/10 APPROVED BY: APPR:MSASAO	GENERAL TOLERANCES (UNLESS SPECIFIED)		DIMENSION STYLE	SCALE	DESIGN UNITS	THIRD ANGLE PROJECTION
			MM ONLY	15:1	METRIC	
	10 UNDER	± 0.2	DRAWN BY	DATE	TITLE	
	10 OVER 30 UNDER	± 0.25	NAITO	2010/09/10	0.4 B-TO-B CONN HGT=0.7 W=2.6 HI-RETENTION PLUG ASSY CHECKER TYPE	
30 OVER	± 0.3	CHECKED BY	DATE	MOLEX INCORPORATED		
ANGULAR	± 1 °	RTAKEUCHI	2010/09/10	MOLEX INCORPORATED		
DRAFT WHERE APPLICABLE MUST REMAIN WITHIN DIMENSIONS		APPROVED BY	DATE	MATERIAL NO.	DOCUMENT NO.	SHEET NO.
		MSASAO	2010/09/15	SEE SHEET 1	SD-503552-007	2 OF 2
		THIS DRAWING CONTAINS INFORMATION THAT IS PROPRIETARY TO MOLEX INCORPORATED AND SHOULD NOT BE USED WITHOUT WRITTEN PERMISSION				

10 9 8 7 6 5 4 3 2 1

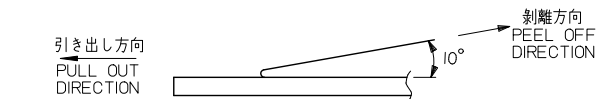


**注記 NOTES**

- 製品詳細寸法については製品単体図面を参照下さい。  
RE DETAILED DIMENSION, SEE PRODUCT DRAWING.
- 梱包数量: 3000 個/リール  
NUMBER OF CONNECTORS: 3000PCS/REEL
- リードテープ長さ LEAD TAPE LENGTH



- トップテープの剥離強度: 0.1N~1.3N(10gf~130gf)  
(剥離方向は下図参照)  
尚、本規格値は出荷時に適用。(但し、輸送時に剥離が発生しないこと。)  
PEELING OFF FORCE OF TOP TAPE: 0.1N~1.3N(10gf~130gf)  
(PEELING DIRECTION AS SHOWN IN FOLLOWING FIG.)  
THIS REQUIREMENT SHOULD BE APPLIED AT SHIPMENT.  
PEEL OFF SHOULD NOT BE ALLOWED, DURING TRANSPORTION.

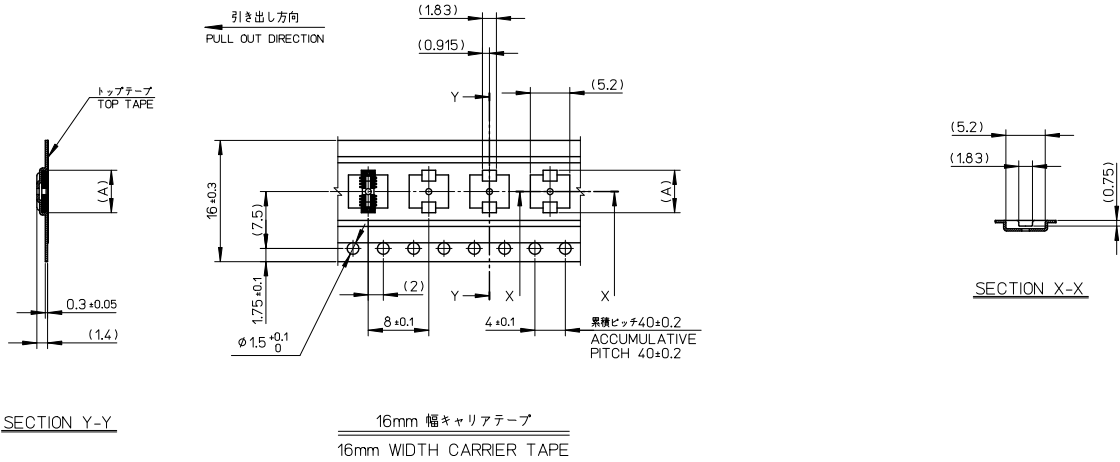


- 材料 MATERIAL  
キャリアテープ (CARRIER TAPE): ポリスチレン (POLYSTYRENE)  
トップテープ (TOP TAPE): PET, OTHER  
リール (REEL): ポリスチレン (PS) <リサイクル材を含む>  
POLYSTYRENE (PS) <RECYCLE MATERIAL CONTAINED>
- ELV 及び RoHS適合品  
ELV AND RoHS COMPLIANT

9 8 7 6 5 4 3 2 1 EN-02DA(021)

RELEASED EC NO. J2011-0380 DRW: NAITO CHK: RTAKEUCHI APPR: MSASAO	GENERAL TOLERANCES (UNLESS SPECIFIED)	DIMENSION STYLE MM ONLY	SCALE METRIC	DESIGN UNITS THIRD ANGLE PROJECTION	MODEL NO. 503552-***20	
	10 UNDER ± --- 10 OVER 30 UNDER ± --- 30 OVER ± ---	DRAWN BY RTAKEUCHI DATE 2010/02/08	TITLE 0.4 B-TO-B CONN. HGT=0.7 HI-RETENTION PLUG ASSY CHECKER TYPE EMBSTP PKG	MOLEX INCORPORATED		
	ANGULAR ± --- ° DRAFT WHERE APPLICABLE MUST REMAIN WITHIN DIMENSIONS	CHECKED BY THIRATA DATE 2010/02/08	APPROVED BY MSASAO DATE 2010/02/08			
	REV 0	SEE CHART	MATERIAL NO.	DOCUMENT NO. SD-503552-008	SHEET NO. 1 OF 2	THIS DRAWING CONTAINS INFORMATION THAT IS PROPRIETARY TO MOLEX INCORPORATED AND SHOULD NOT BE USED WITHOUT WRITTEN PERMISSION

10 9 8 7 6 5 4 3 2 1



16	21.4	17.4	5.21	503552-1880	18
			4.81	503552-1680	16
			4.41	503552-1480	14
			4.01	503552-1280	12
			2.81	503552-0680	6
キャリアテープ幅 CARRIER TAPE WIDTH			C	B	(A)
			MODEL No.		503552-**80

<b>RELEASED</b> EC NO.: J2011-0380 DRAWN BY: CHIKRITAKEUCHI APPROV: MSASAO 2010/09/10 2010/09/10	GENERAL TOLERANCES (UNLESS SPECIFIED)	DIMENSION STYLE MM ONLY	SCALE	DESIGN UNITS METRIC	THIRD ANGLE PROJECTION	
	10 UNDER ± ---	DRAWN BY: RTAKEUCHI DATE: 2010/02/08	TITLE	0.4 B-TO-B CONN. HGT=0.7 HI-RETENTION PLUG ASSY CHECKER TYPE EMBSTP PKG		
	10 OVER 30 UNDER ± ---	CHECKED BY: THIRATA DATE: 2010/02/08	APPROVED BY: MSASAO DATE: 2010/02/08	MOLEX INCORPORATED		
	30 OVER ± ---	ANGULAR ± °	MATERIAL NO.	DOCUMENT NO.	SD-503552-008	
0	DRAFT WHERE APPLICABLE MUST REMAIN WITHIN DIMENSIONS	SEE CHART	THIS DRAWING CONTAINS INFORMATION THAT IS PROPRIETARY TO MOLEX INCORPORATED AND SHOULD NOT BE USED WITHOUT WRITTEN PERMISSION			