

Excellent Integrated System Limited

Stocking Distributor

Click to view price, real time Inventory, Delivery & Lifecycle Information:

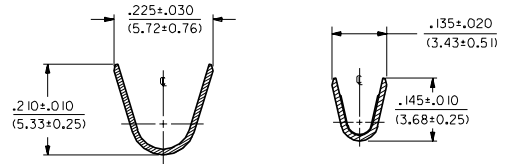
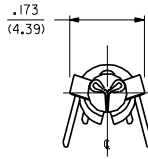
[Molex Connector Corporation](#)

[0002092111](#)

For any questions, you can email us directly:

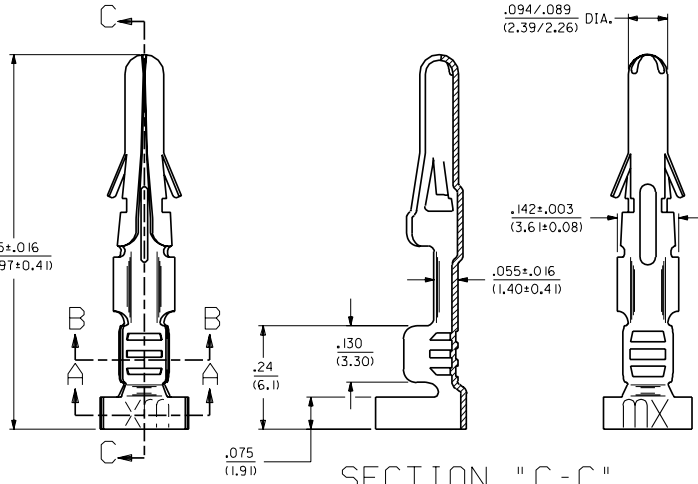
sales@integrated-circuit.com

PART NO.	ENG. NO.
02-09-2111	7239-(P90)I
02-09-2112	7239-(P90)IL
-	-
-	-
-	-



SECTION "A-A" SECTION "B-B"

LEGEND
 7239-(****)*
 * FORM
 BLANK=CHAIN
 L=LOOSE
 P=PREPLATE
 BLANK=POSTPLATE
 FINISH CODE



SECTION "C-C"

- NOTES:**
1. TERMINAL FOR USE WITH .093/(2.36) SERIES HOUSINGS AND WILL ACCEPT 14 THRU 18 AWG WIRE.
 2. THIS PART CONFORMS TO PROD. SPEC. 02-09.

MATERIAL:
 CARTRIDGE BRASS, ALLOY #C26000,
 .013/(0.33) THICK, SPRING TEMPER.

FINISH CODES:
 901 HOT TIN DIP .000020/(0.00051) MIN.

CHAIN FORM
 FULL SCALE



DIMENSIONS SHOWN METRIC INCH UNLESS OTHERWISE SPECIFIED TOLERANCES ARE IN INCH		MFG. SH. REV. LTR. REVISIONS	
3 PLACE ± .010	---	REVISE ONLY ON CAD SYSTEM	
2 PLACE ± .014	± 0.25	TITLE CRIMP TERMINAL, MALE	
1 PLACE --- ± 0.35	---	.093/(2.36) DIA.	
DRAFT ANGLES APPLICABLE MUST REMAIN WITHIN DIMENSIONS		FOR 14 THRU 18 AWG WIRE	
DRG. BY: GWF		MOLEX INCORPORATED	
CHKD. BY: RW		MOLEX INCORPORATED	
APP'D. GWF		SCALE 6:1	
FILE NAME: SD7239X1		PART NO. SD-7239-*	
DATE: 1/25/91		DRAWING NO. SD-7239-*	
BY: GWF		THIS DRAWING CONTAINS INFORMATION THAT IS PROPRIETARY TO MOLEX INC. AND SHOULD NOT BE USED WITHOUT WRITTEN PERMISSION. CP	