

Excellent Integrated System Limited

Stocking Distributor

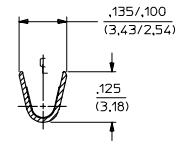
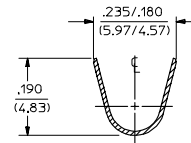
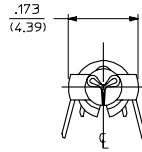
Click to view price, real time Inventory, Delivery & Lifecycle Information:

[Molex Connector Corporation](#)
[0002092167](#)

For any questions, you can email us directly:

sales@integrated-circuit.com

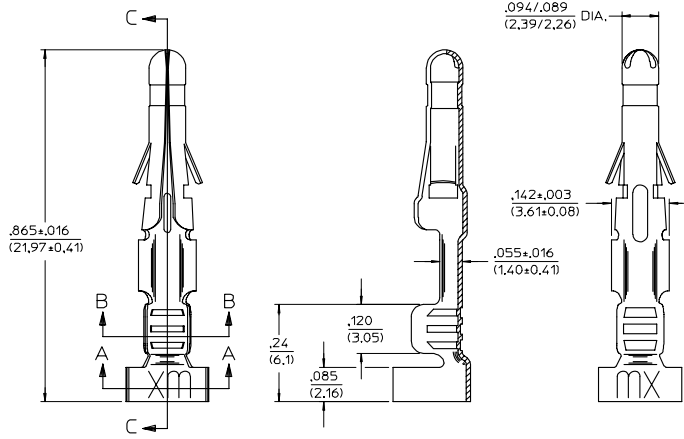
PART NO.	ENG. NO.
02-09-2166	4549-(P909)
02-09-2167	4549-(P909)L
02-09-3203	4549-(999)
-	-
-	-



SECTION "A-A"

SECTION "B-B"

LEGEND
 4549-(****)*
 * FORM
 BLANK=CHAIN
 L=LOOSE
 P=PREPLATE
 BLANK=POSTPLATE
 FINISH CODE



SECTION "C-C"



NOTES:

- MATERIAL: PHOSPHOR BRONZE
- FINISH CODES:
 999 UNPLATED
 909 HOT TIN DP .000100/(0.00250) MN.
 * THE PRIMARY SHIPPING CARTON WILL BE LABELED, "COMPLIANT TO RoHS 2002/95/EC AND ELV ANNEX II OF DIRECTIVE 2000/53/EC", AND CARTONS WITHOUT THIS LABEL MAY CONTAIN PRODUCT WITH TIN-LEAD.
- PRODUCT SPECIFICATION: PS-02-09
- PACKAGING INFORMATION: NOT AVAILABLE
- TERMINAL FOR USE WITH .093/(2.36) SERIES HOUSINGS AND WILL ACCEPT 14 THRU 20 AWG WIRE.
- INSERTION FORCE: 35 LBS. MAX. WHEN TERMINAL IS INSERTED INTO AN .093 SERIES HOUSING.
- RETENTION: 20 LBS. MIN FROM HOUSING

LTR.	REVISIONS
C1	REMOVE STOP SIGN UCP2005-0278 RHOLIS 8/23/04
C	REVISED/REDRAWN UCP2005-0194 RHOLIS 7/30/04
B	ADD (999) W/EDP + ECR U1 9850 12/28/92 RW
A	FINAL RELEASE ECR U1 9857 06/12/92 RW

REMOVE STOP SIGN EC NO: UCP2005-0278 DRAWN/RHOLIS 2004/08/27 CHKD-F SM TH 2004/08/27 APPR-SM TH 2004/08/27	QUALITY SYMBOLS ▽=0 ▽=0	GENERAL TOLERANCES (UNLESS SPECIFIED)		DIMENSION STYLE IN/MM	SCALE 6:1	DESIGN UNITS INCH	THIRD ANGLE PROJECTION			
		mm	INCH							
C1	REV	4 PLACES ±.005 ±.005	±.005	DRAWN BY GWC	DATE 1992/06/12	TITLE CRIMP TERMINAL, MALE, .093/(2.36) DIA. FOR 14-20 AWG WIRE	MATERIAL NO. SEE CHART			
		3 PLACES ±.010 ±.010	±.010					CHECKED BY RW	DATE 1992/06/12	DOCUMENT NO. SD-4549-*
		2 PLACES ±.025 ±.014	±.014					APPROVED BY GWF	DATE 1992/06/12	
		1 PLACE ±.035 ±.035	±.035	DRAFT WHERE APPLICABLE MUST REMAIN WITHIN DIMENSIONS		MOLEX INCORPORATED				
		ANGULAR ±1/2°		SIZE THIS DRAWING CONTAINS INFORMATION THAT IS PROPRIETARY TO MOLEX INCORPORATED AND SHOULD NOT BE USED WITHOUT WRITTEN PERMISSION						