

Excellent Integrated System Limited

Stocking Distributor

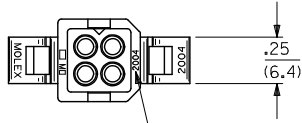
Click to view price, real time Inventory, Delivery & Lifecycle Information:

[Molex Connector Corporation](#)
[0003067044](#)

For any questions, you can email us directly:

sales@integrated-circuit.com

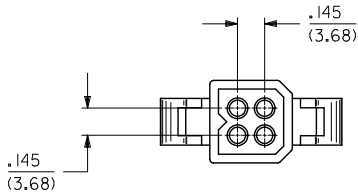
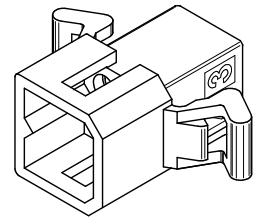
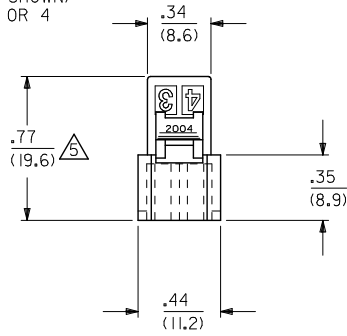
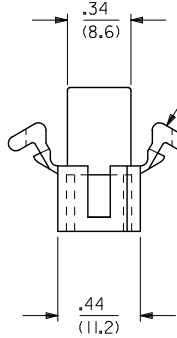
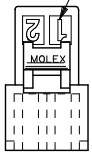
10 9 8 7 6 5 4 3 2 1



ENG. NO. LOCATION
FOR PARTS W/O MTG. EARS

CIRCUIT I.D.

MOUNTING EAR (2 PL.)
(PREBENT EAR SHOWN)
SEE DETAIL 3 OR 4

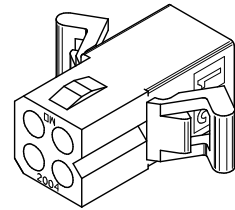
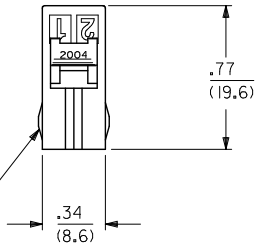
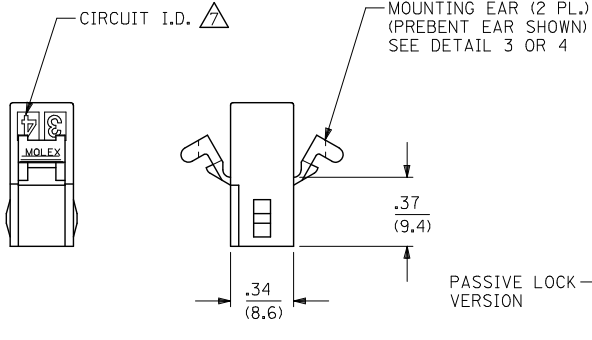
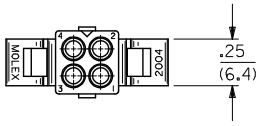


PLUG HOUSING

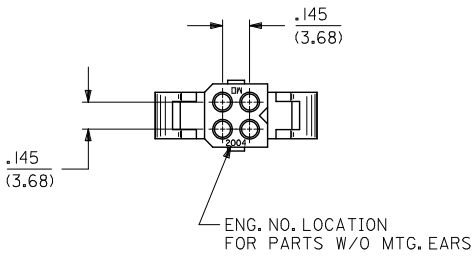
ADD: 46999-0719 EC NO: UCP2015-4798 DRAWN BY: PPER 2016/02/03 CHKD BY: BELL 2016/02/03 APPR: F. SMITH 2016/07/11	QUALITY SYMBOLS 	GENERAL TOLERANCES (UNLESS SPECIFIED)		DIMENSION STYLE IN/MM		SCALE 2:1	DESIGN UNITS INCH	THIRD ANGLE PROJECTION
		4 PLACES ± .010 ± .014 3 PLACES ± .010 ± .014 2 PLACES ± 0.25 ± .014 1 PLACE ± 0.36 ± .014 0 PLACE ± .010 ± .014	mm INCH	DRAWN BY: GWC DATE: 1991/08/27 CHECKED BY: RW DATE: 1991/08/27 APPROVED BY: F. SMITH DATE: 2016/07/11	TITLE PLUG AND RECEPTACLE HOUSINGS, 4 CIRCUIT, .062 DIA., .145 CTRS.	MATERIAL NO. SEE CHART	DOCUMENT NO. SD-2004-*	SHEET NO. 1 OF 3
REV: K1	DESCRIPTION:	ANGULAR ± 1° DRAFT WHERE APPLICABLE MUST REMAIN WITHIN DIMENSIONS		SIZE B		THIS DRAWING CONTAINS INFORMATION THAT IS PROPRIETARY TO MOLEX INCORPORATED AND SHOULD NOT BE USED WITHOUT WRITTEN PERMISSION		

9 8 7 6 5 4 3 2 1

10 9 8 7 6 5 4 3 2 1



RECEPTACLE HOUSING



SEE SHEET 1 EC NO: IUCP2015-4798 DRAWN BY: PPER 2016/02/03 CHECKED BY: BELL 2016/02/03 APPROVED BY: SMITH 2016/07/11	QUALITY SYMBOLS ∇=0 ∇=0 ∇=0	GENERAL TOLERANCES (UNLESS SPECIFIED)		DIMENSION STYLE IN/MM	SCALE 2:1	DESIGN UNITS INCH	THIRD ANGLE PROJECTION
		4 PLACES ± --- ± --- 3 PLACES ± --- ± .010 2 PLACES ± 0.25 ± .014 1 PLACE ± 0.36 ± --- 0 PLACE ± --- ± ---	mm INCH --- --- --- --- --- --- --- --- --- ---	DRAWN BY: GWC DATE: 1991/08/27 CHECKED BY: RW DATE: 1991/08/27 APPROVED BY: FSMITH DATE: 2016/07/11	TITLE PLUG AND RECEPTACLE HOUSINGS, 4 CIRCUIT, .062 DIA., .145 CTRS.	MATERIAL NO. SEE CHART	DOCUMENT NO. SD-2004-*
REV: K1		ANGULAR ± 1 ° DRAFT WHERE APPLICABLE MUST REMAIN WITHIN DIMENSIONS		THIS DRAWING CONTAINS INFORMATION THAT IS PROPRIETARY TO MOLEX INCORPORATED AND SHOULD NOT BE USED WITHOUT WRITTEN PERMISSION			

9 8 7 6 5 4 3 2 1

10 9 8 7 6 5 4 3 2 1

PLUG	
PART NO.	ENG. NO.
03-06-2043	2004-P
03-06-7043	2004-PBK
03-06-2044	2004-P1
03-06-7044	2004-P1BK
46999-0719	2004-P2

RECEPTACLE	
PART NO.	ENG. NO.
03-06-1043	2004-R
03-06-6043	2004-RBK
03-06-1044	2004-R1
PRELIMINARY	2004-R2

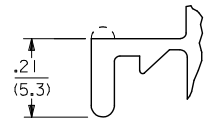
LEGEND:

2004-***

P = PLUG
R = RECEPTACLE

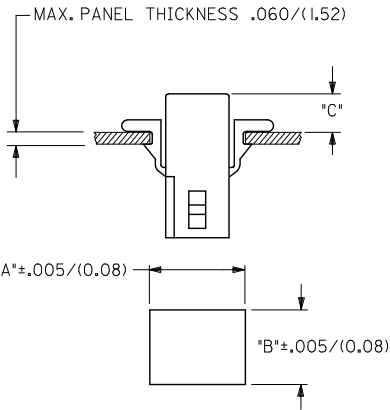
BLANK = WITH STANDARD EARS
1 = WITHOUT EARS
2 = WITH PREBENT EARS

COLOR:
BLANK = NATURAL
AM=AMBER BK=BLACK BU=BLUE
BN=BROWN GY=GRAY GN=GREEN
OR=ORANGE RD=RED YW=YELLOW



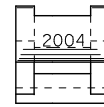
DETAIL 3

STANDARD MOUNTING EARS
(SCALE 4:1)



NOTES:

- MATERIAL: NYLON 6/6 UL94V-2, COLOR: SEE LEGEND
- FINISH: NONE
- PRODUCT SPECIFICATION: PS-02-06
- PACKAGING SPECIFICATION: 20040000-PK
- THIS DIMENSION DEPENDS ON TOOLING AND MAY BE 0.75/(9.1) ON SOME PARTS.
- HOUSINGS FOR USE WITH MOLEX .062/(1.57) DIA. TERMINALS.
- CIRCUIT I.D. NUMBERS ON SIDE OF HOUSING DEPENDS ON TOOLING AND MAY OR MAY NOT BE PRESENT.
- PARTS CONFORM TO CLASS B REQUIREMENTS OF COSMETIC SPECIFICATION PS-45499-002.



DETAIL 4

PREBENT MOUNTING EARS
(SCALE 4:1)

RECOMMENDED HOLE PATTERN

HOUSING	DIM. "A"	DIM. "B"	PREBENT EAR DIM. "C"	STD. EAR DIM. "C"
PLUG	.615 (15.62)	.465 (11.81)	.26 (6.6)	.26 (6.6)
RECEPTACLE	.506 (12.85)	.400 (10.16)	.24 (6.1)	.24 (6.1)

SEE SHEET 1 E.C. NO: IUCP2015-4798 DRAWN BY: PPER 2016/02/03 CHECKED BY: BELL 2016/02/03 APPROVED BY: SMITH 2016/07/11	QUALITY SYMBOLS √=0 √=0 √=0	GENERAL TOLERANCES (UNLESS SPECIFIED)		DIMENSION STYLE IN/MM		SCALE 2:1	DESIGN UNITS INCH	THIRD ANGLE PROJECTION
		4 PLACES ± .005 ± .005 3 PLACES ± .010 ± .010 2 PLACES ± 0.25 ± .014 1 PLACE ± 0.36 ± .014 0 PLACE ± .005 ± .005	mm INCH	DRAWN BY: GWC DATE: 1991/08/27 CHECKED BY: RW DATE: 1991/08/27 APPROVED BY: FSMITH DATE: 2016/07/11	TITLE: PLUG AND RECEPTACLE HOUSINGS, 4 CIRCUIT, .062 DIA., .145 CTRS.		MATERIAL NO. SEE CHART	DOCUMENT NO. SD-2004-*
ANGLUAR ± 1 ° DRAFT WHERE APPLICABLE MUST REMAIN WITHIN DIMENSIONS		THIS DRAWING CONTAINS INFORMATION THAT IS PROPRIETARY TO MOLEX INCORPORATED AND SHOULD NOT BE USED WITHOUT WRITTEN PERMISSION						

10 9 8 7 6 5 4 3 2 1