

Excellent Integrated System Limited

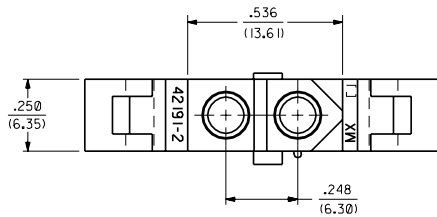
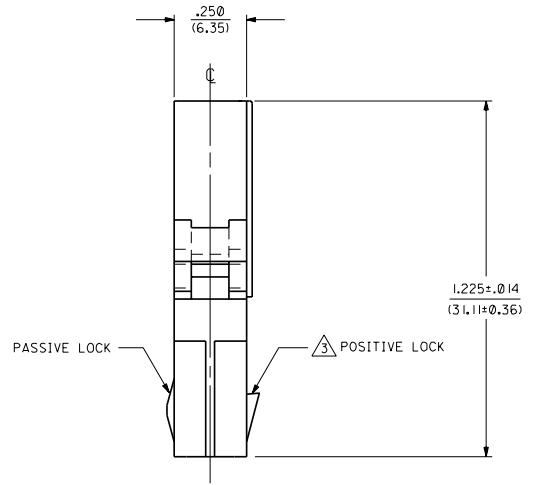
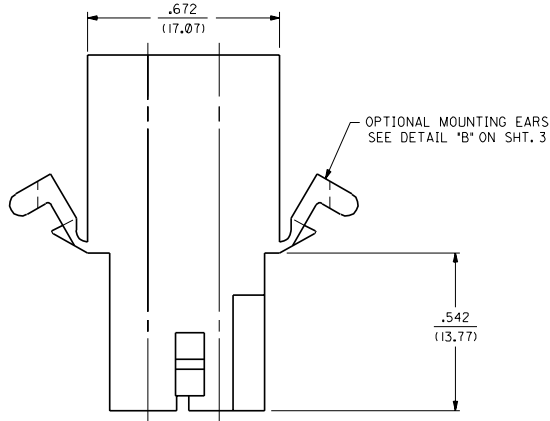
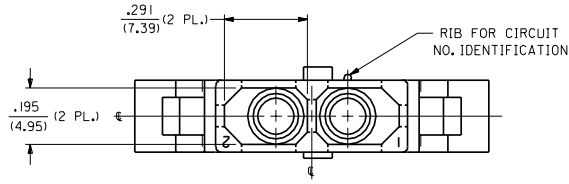
Stocking Distributor

Click to view price, real time Inventory, Delivery & Lifecycle Information:

[Molex Connector Corporation](#)
[0003093161](#)

For any questions, you can email us directly:

sales@integrated-circuit.com



RECEPTACLE HOUSING

D		SEE SHT. 1
C		SEE SHT. 1
A		SEE SHT. 1
I		SEE SHT. 1

LTR.	REVISIONS	LTR.	REVISIONS
------	-----------	------	-----------

DIMENSIONS SHOWN METRIC INCH UNLESS OTHERWISE SPECIFIED TOLERANCES UNLESS OTHERWISE SPECIFIED	
3 PLACE ± .010	---
2 PLACE ± .014	± 0.25
1 PLACE ---	± 0.36
DRAFT ANGLES APPLICABLE MUST REMAIN WITHIN DIMENSIONS	
DRG. BY: CEP	CHKD. BY: RW
APP'D. BY: RAS	SCALE: 4 : 1

REVISE ONLY ON CAD SYSTEM	
TITLE: .093/(2.36) HOUSING; PLUG AND RECEPTACLE; 2 CIRCUIT	SHEET NO. 2 DATE 12/18/87
MOLEX INCORPORATED	LEVEL: LTR. 2
SEE CHART	DRG. NO. SD-42191-2
FILE NAME: 542191242	THIS DRAWING CONTAINS INFORMATION THAT IS PROPRIETARY TO MOLEX INC. AND SHOULD NOT BE USED WITHOUT WRITTEN PERMISSION. CP

PLUG		
PART NO.	ENG. NO.	OBSOLETE
03-09-2160	42191-2P	YES
03-09-2161	42191-2P1	
03-09-4161	42191-2P1RD	
03-09-4162	42191-2P1BU	
03-09-4163	42191-2P1GN	

RECEPTACLE		
PART NO.	ENG. NO.	OBSOLETE
03-09-1160	42191-2R	YES
03-09-1161	42191-2R1	
03-09-1162	42191-2R2	
03-09-1163	42191-2R3	
03-09-3161	42191-2R1RD	
03-09-3162	42191-2R1BU	
03-09-3163	42191-2R1GN	

LEGEND: PLUG

42191-2P***

CIRCUIT SIZE →

P = PLUG

BLANK = WITH PREBENT EARS
I = WITHOUT EARS

BLANK = NATURAL COLOR
AM=AMBER BK=BLACK BU=BLUE
BN=BROWN GY=GRAY GN=GREEN
OR=ORANGE RD=RED YW=YELLOW

BLANK = MATERIAL CODE A

LEGEND: RECEPTACLE

42191-2R***

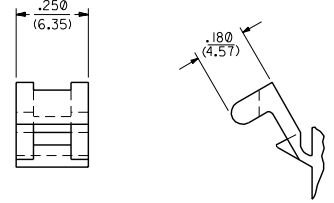
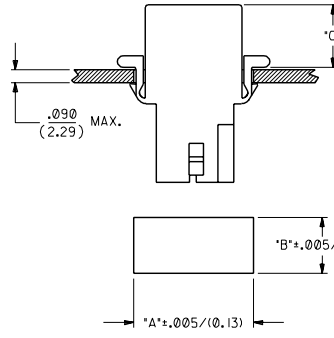
CIRCUIT SIZE →

R = RECEPTACLE

BLANK = WITH PREBENT EARS, POSITIVE LOCK
1 = WITHOUT EARS, POSITIVE LOCK
2 = WITH PREBENT EARS, PASSIVE LOCK
3 = WITHOUT EARS, PASSIVE LOCK

BLANK = NATURAL COLOR
AM=AMBER BK=BLACK BU=BLUE
BN=BROWN GY=GRAY GN=GREEN
OR=ORANGE RD=RED YW=YELLOW

BLANK = MATERIAL CODE A



HOUSING	DIM. "A"	DIM. "B"	DIM. "C"
PLUG	.831/(21.11)	.385/(9.78)	.44/(11.2)
RECEPTACLE	.831/(21.11)	.335/(8.51)	.46/(11.7)

- NOTES:
- MATERIAL CODES:
A = NYLON TYPE 6/6, 94V-2
 - PART ACCEPTS DOUBLE WIRE CRIMPS OF 18 AWG MAXIMUM. EACH CIRCUIT WILL ALLOW ONE OF THE WIRES TO HAVE AN INSULATION THICKNESS OF .062/(1.57), THE OTHER HAVING AN INSULATION THICKNESS OF .031/(0.79).
 - LOCK RAMP STYLE IS OPTIONAL ON THIS SIDE OF PART. CHOICE OF EITHER A POSITIVE LOCK RAMP OR A PASSIVE LOCK RAMP IS AVAILABLE.

DETAIL "A"
PREBENT MOUNTING EAR
SCALE 4:1

E	SEE SHEET I	DIMENSIONS SHOWN (METRIC) INCH UNLESS OTHERWISE SPECIFIED TOLERANCES-ANGLES-DIMENSIONS <table border="1"> <thead> <tr> <th>INCH</th> <th>METRIC</th> </tr> </thead> <tbody> <tr> <td>3 PLACE ± .010</td> <td>---</td> </tr> <tr> <td>2 PLACE ± .014</td> <td>± 0.25</td> </tr> <tr> <td>1 PLACE ---</td> <td>± 0.36</td> </tr> </tbody> </table> DRAFT ANGLES, UNLESS INDICATED, MUST REMAIN WITHIN DIMENSIONS	INCH	METRIC	3 PLACE ± .010	---	2 PLACE ± .014	± 0.25	1 PLACE ---	± 0.36
INCH	METRIC									
3 PLACE ± .010	---									
2 PLACE ± .014	± 0.25									
1 PLACE ---	± 0.36									
D2	SEE SHEET I									
D1	SEE SHEET I									
C	SEE SHEET I									
B	SEE SHT. I									
A	SEE SHT. I									
I	SEE SHT. I	DRG. NO. CEP BY RAS DATE 12/18/87 SCALE 1:1								
LTR.	REVISIONS	LTR.	REVISIONS	DIMENSIONS SHOWN (METRIC) INCH UNLESS OTHERWISE SPECIFIED TOLERANCES-ANGLES-DIMENSIONS TITLE .093/(2.36) HOUSINGS; PLUG AND RECEPTACLE; 2 CIRCUIT MOLEX INCORPORATED 69032 U.S.A. SHEET NO. 3 DATE 12/18/87 PART NO. SD-42191-2* SEE CHART THIS DRAWING CONTAINS INFORMATION THAT IS PROPRIETARY TO MOLEX AND SHOULD NOT BE USED WITHOUT WRITTEN PERMISSION. CP						