

Excellent Integrated System Limited

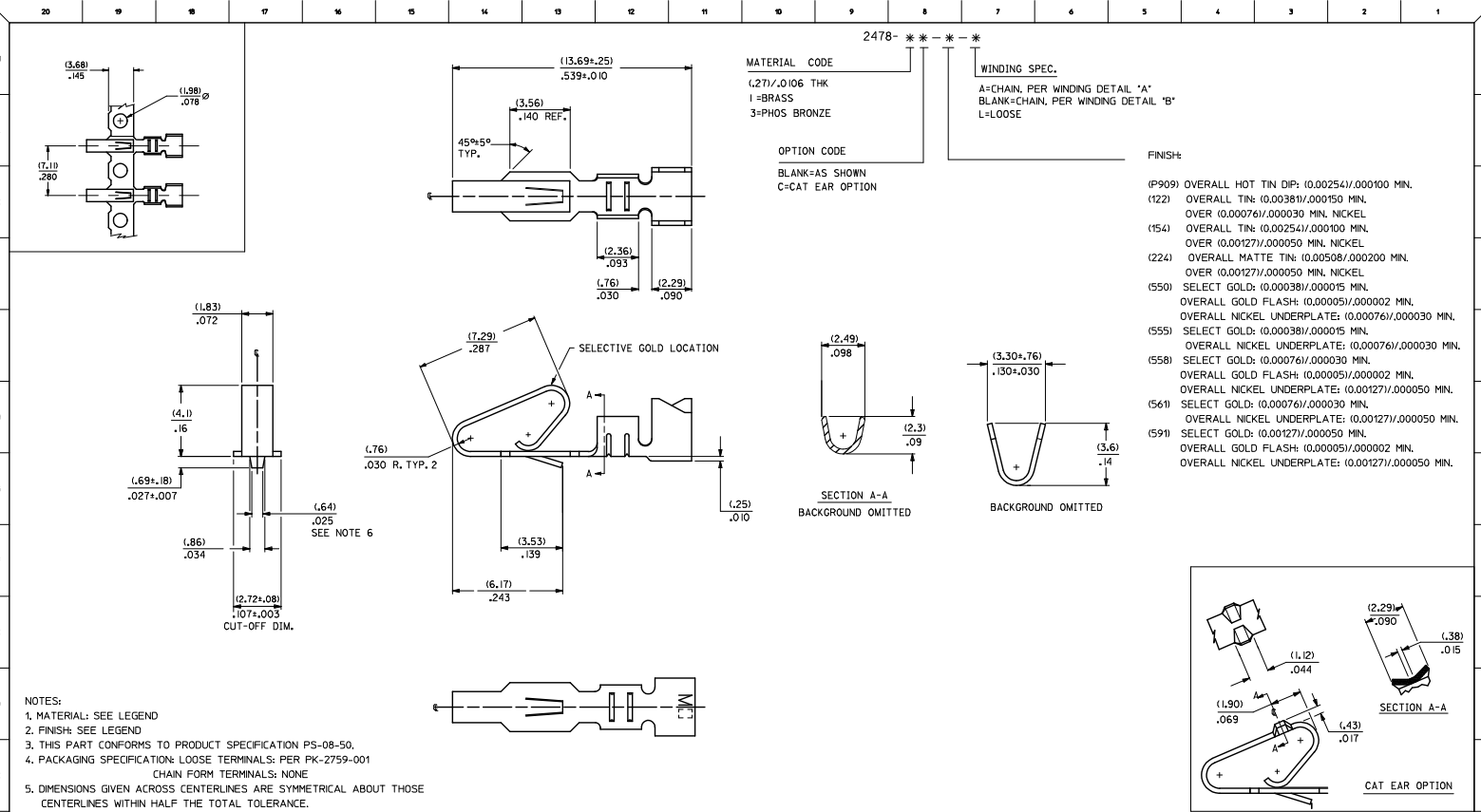
Stocking Distributor

Click to view price, real time Inventory, Delivery & Lifecycle Information:

[Molex Connector Corporation](#)
[0008500119](#)

For any questions, you can email us directly:

sales@integrated-circuit.com



MATERIAL CODE 2478-***
(.27)±.0106 THK
1=BRASS
3=PHOS BRONZE

OPTION CODE
BLANK=AS SHOWN
C=CAT EAR OPTION

FINISH:

WINDING SPEC.
A=CHAIN, PER WINDING DETAIL 'A'
BLANK=CHAIN, PER WINDING DETAIL 'B'
L=LOOSE

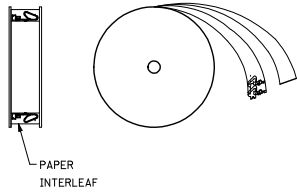
- (P909) OVERALL HOT TIN DIP: (0.00254) / .000100 MIN.
(122) OVERALL TIN: (0.00381) / .000150 MIN.
OVER (0.00076) / .000030 MIN. NICKEL
(154) OVERALL TIN: (0.00254) / .000100 MIN.
OVER (0.00127) / .000050 MIN. NICKEL
(224) OVERALL MATTE TIN: (0.00508) / .000200 MIN.
OVER (0.00127) / .000050 MIN. NICKEL
(550) SELECT GOLD: (0.000381) / .000015 MIN.
OVERALL GOLD FLASH: (0.00005) / .000002 MIN.
OVERALL NICKEL UNDERPLATE: (0.00076) / .000030 MIN.
(555) SELECT GOLD: (0.000381) / .000015 MIN.
OVERALL NICKEL UNDERPLATE: (0.00076) / .000030 MIN.
(558) SELECT GOLD: (0.00076) / .000030 MIN.
OVERALL GOLD FLASH: (0.00005) / .000002 MIN.
OVERALL NICKEL UNDERPLATE: (0.00127) / .000050 MIN.
(561) SELECT GOLD: (0.00076) / .000030 MIN.
OVERALL NICKEL UNDERPLATE: (0.00127) / .000050 MIN.
(591) SELECT GOLD: (0.00127) / .000050 MIN.
OVERALL GOLD FLASH: (0.00005) / .000002 MIN.
OVERALL NICKEL UNDERPLATE: (0.00127) / .000050 MIN.

- NOTES:
1. MATERIAL: SEE LEGEND
2. FINISH: SEE LEGEND
3. THIS PART CONFORMS TO PRODUCT SPECIFICATION PS-08-50.
4. PACKAGING SPECIFICATION: LOOSE TERMINALS: PER PK-2759-001
CHAIN FORM TERMINALS: NONE
5. DIMENSIONS GIVEN ACROSS CENTERLINES ARE SYMMETRICAL ABOUT THOSE CENTERLINES WITHIN HALF THE TOTAL TOLERANCE.
6. (0.86 ±0.05) / .034 ±0.02 IS AN OPTIONAL DESIGN.
7. CRIMP ACCEPTS 18 TO 24 AWG WIRE WITH (2.79) / .110 MAX. INSULATION DIAMETER. AND CAN ACCEPT (3.00) / .118 MAX. INSULATION DIAMETER WITH SPECIAL TOOLING.
8. TERMINAL FOR USE IN 2139, 3001, 3069, AND 91813 SERIES HOUSINGS WITH (2.54) / .100 MAX. INSULATION DIAMETER, 2574, 6422, AND 5239 SERIES HOUSINGS WITH (2.79) / .110 MAX. INSULATION DIAMETER, AND 41695 SERIES HOUSING WITH (3.00) / .118 MAX. INSULATION DIAMETER.
9. THIS PART CONFORMS TO CLASS B REQUIREMENTS OF COSMETIC SPECIFICATION PS-45499-002.

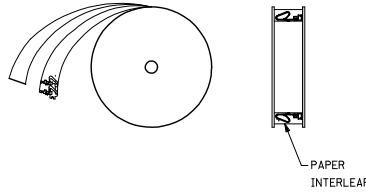
ADD WINDING VIEWS EC NO. LEF2014-431 DRAWN BY: 2014/01/07 CHECKED BY: 2014/01/07 APPROVED BY: 2014/01/07 REV:	QUALITY SYMBOLS	GENERAL TOLERANCES (UNLESS SPECIFIED)	DIMENSION STYLE	SCALE	DESIGN UNITS	THIRD ANGLE PROJECTION
	4 PLACES ± --- ± --- 3 PLACES ± --- ± .010 2 PLACES ± 0.25 ± .014 1 PLACE ± 0.36 ± --- 0 PLACE ± --- ± ---	mm INCH	MM/IN	10:1	INCH	CRIMP TERMINAL 156 CENTERS 18 TO 24 GA WIRE
	DRAWN BY: SAMIEC CHECKED BY: PATEL APPROVED BY: FSMITH	DATE: 06/03/86	DATE: 06/03/86	DATE: 2012/03/20		
	MATERIAL NO. SEE CHART DRAFT WHERE APPLICABLE MUST REMAIN WITHIN DIMENSIONS				DOCUMENT NO. SD-2478	SHEET NO. 1 OF 2

2478-1-(****)*			2478-3-(****)*			2478-1C-(****)*			2478-3C-(****)*		
PART NO.	ENG. NO.		PART NO.	ENG. NO.		PART NO.	ENG. NO.		PART NO.	ENG. NO.	
08-50-0105	2478-1-(P909)		08-52-0071	2478-3-(P909)		08-50-0091	2478-1C-(154)		08-52-0044	2478-3C-(P909)	
08-50-0106	2478-1-(P909)L		08-52-0072	2478-3-(P909)L		08-50-0093	2478-1C-(154)L		08-52-0045	2478-3C-(P909)L	
08-56-0105	2478-1-(550)		08-65-0114	2478-3-(555)					08-52-0023	2478-3C-(154)	
08-56-0106	2478-1-(550)L		08-65-0115	2478-3-(555)L					08-52-0024	2478-3C-(154)L	
08-55-0103	2478-1-(555)		08-52-0811	2478-3-(154)							
08-55-0104	2478-1-(555)L		08-52-0812	2478-3-(154)L							
08-50-0119	2478-1-(122)		08-50-0281	2478-3-(122)							
08-50-0120	2478-1-(122)L			2478-3-(122)L							
08-50-0271	2478-1-(P909)A		08-58-0121	2478-3-(550)							
08-50-0015	2478-1-(154)		08-58-0122	2478-3-(550)L							
08-50-0016	2478-1-(154)L		08-58-0103	2478-3-(591)							
08-50-0063	2478-1-(224)		08-58-0104	2478-3-(591)L							
08-50-0064	2478-1-(224)L		08-58-0114	2478-3-(558)							
08-55-0133	2478-1-(561)		08-58-0115	2478-3-(558)L							
08-55-0134	2478-1-(561)L										

WINDING DETAIL 'A'



WINDING DETAIL 'B'



SEE SHEET 1 EC NO. 00704-431 DRAWN/INSPER 2016/01/07 CHECKED/INSPER 2016/01/07 APPROVED/INSPER 2016/01/07 DESIGNED BY 2016/01/07	QUALITY SYMBOLS	GENERAL TOLERANCES (UNLESS SPECIFIED)	DIMENSION STYLE	SCALE	DESIGN UNITS	THIRD ANGLE PROJECTION
	▽=0	4 PLACES ±--- ±---	MM/IN	---	INCH	
	▽=0	3 PLACES ±--- ±.010	DRAWN BY	DATE	TITLE	
	▽=0	2 PLACES ±0.25 ±.014	SAMIEC	06/03/86	CRIMP TERMINAL	
	1 PLACE ±0.36 ±---	CHECKED BY	DATE	156 CENTERS		
	0 PLACE ±--- ±---	PATEL	06/03/86	18 TO 24 GA WIRE		
	ANGULAR ±1/2°	APPROVED BY	DATE	molex		
	DRAFT WHERE APPLICABLE MUST REMAIN WITHIN DIMENSIONS	FSMITH	2012/03/20	DOCUMENT NO.	SD-2478	SHEET NO. 2 OF 2
		SEE CHART		THIS DRAWING CONTAINS INFORMATION THAT IS PROPRIETARY TO MOLEX INCORPORATED AND SHOULD NOT BE USED WITHOUT WRITTEN PERMISSION		