

Excellent Integrated System Limited

Stocking Distributor

Click to view price, real time Inventory, Delivery & Lifecycle Information:

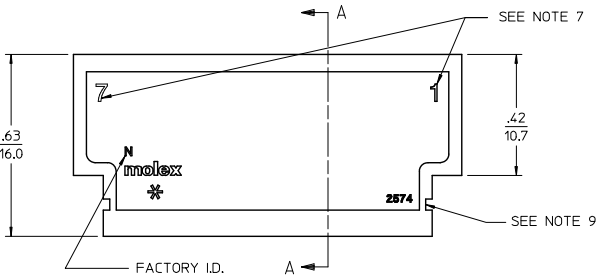
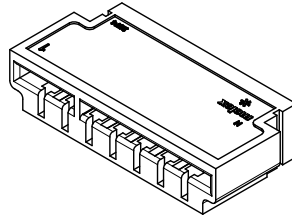
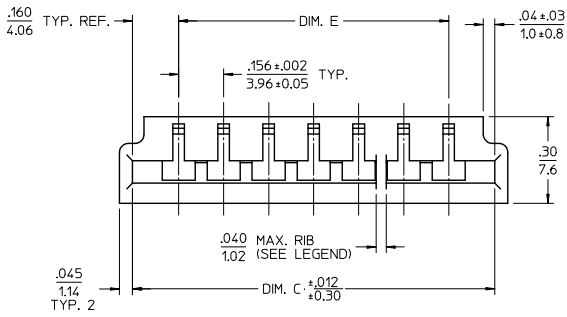
[Molex Connector Corporation](#)
[0009017101](#)

For any questions, you can email us directly:

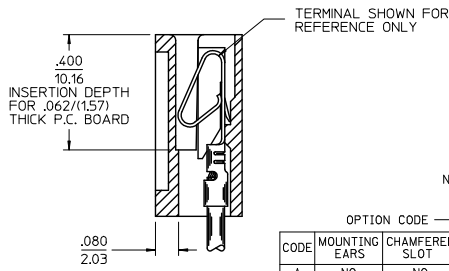
sales@integrated-circuit.com

NOTES:

1. MATERIAL: NYLON 6/6, 94V-2.
2. FINISH: SEE CRIMP TERMINAL DRAWING.
3. THIS PRODUCT CONFORMS TO PRODUCT SPECIFICATION PS-08-50.
4. PACKAGING: BULK PER PK-2574-001
5. CONNECTOR TO BE USED WITH CRIMP TERMINALS:
2478: 18-24 GAGE WIRE, .110(1.279) MAX. INSULATION DIAMETER.
2578: 22-26 GAGE WIRE, .065(1.65) MAX. INSULATION DIAMETER.
2878: 18-20 GAGE WIRE, .110(1.279) MAX. INSULATION DIAMETER.
6. DIMENSIONS GIVEN ACROSS CENTERLINES ARE SYMMETRICAL ABOUT THOSE CENTERLINES WITHIN ONE HALF THE TOTAL TOLERANCE.
7. CIRCUIT 1 I.D. PRESENT ON ALL PARTS. LAST CIRCUIT I.D. MAY OR MAY NOT BE PRESENT.
8. PART CONFORMS TO CLASS B REQUIREMENTS OF COSMETIC SPECIFICATION PS-45499-002
9. SLOTS MAY OR MAY NOT BE PRESENT ON PART.



SECTION A-A



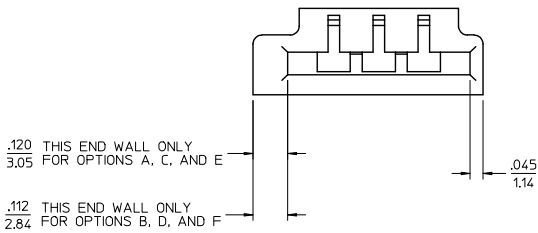
| CODE | MOUNTING EARS | CHAMFERED SLOT | PCB THK | MOUNTING HOLES |
|------|---------------|----------------|---------|----------------|
| A | NO | NO | .062 | NO |
| B | YES | NO | .062 | NO |
| C | NO | YES | .062 | NO |
| D | YES | YES | .062 | NO |
| E | NO | NO | .032 | NO |
| F | YES | NO | .062 | YES |

2574 - N * * *
NO. OF CIRCUITS

COLOR CODE
BLANK=NATURAL
BK=BLACK

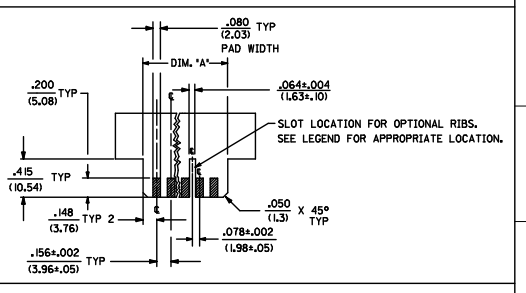
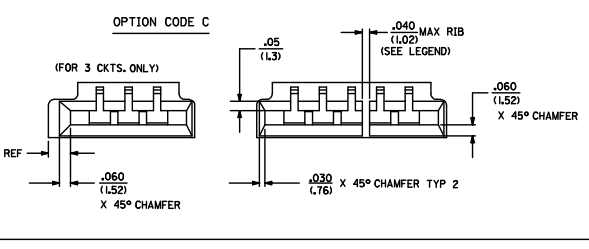
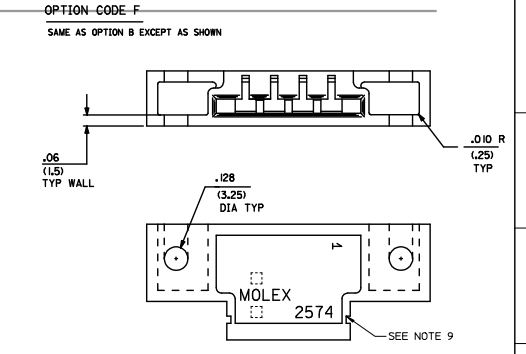
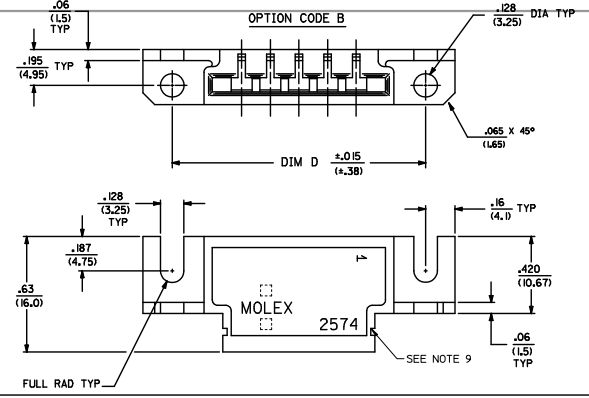
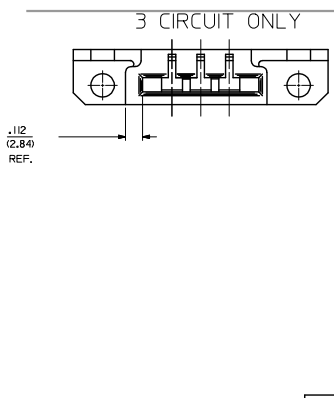
RIB LOCATION CODE (BETWEEN CKTS)
1 = NONE
2 = 2-3
3 = 3-4
4 = 5-6
5 = 3-4, 5-6
6 = 4-5, 7-8
7 = 5-6, 8-9
8 = 5-6, 10-11
9 = 4-5, 7-8, 11-12
10 = 5-6, 10-11, 14-15
11 = 5-6, 10-11, 15-16
12 = 5-6, 11-12, 16-17
13 = 5-6, 11-12, 17-18
14 = 4-5, 7-8, 11-12, 15-16
15 = 4-5, 8-9, 12-13, 16-17, 20-21
16 = 5-6, 11-12, 18-19

3 CIRCUIT ONLY

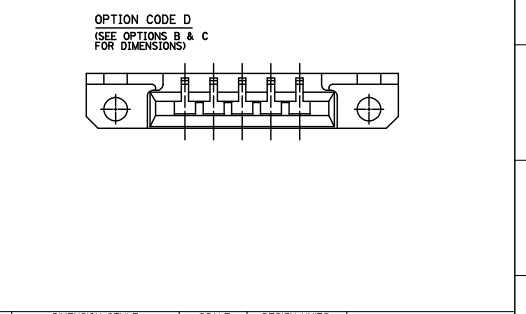
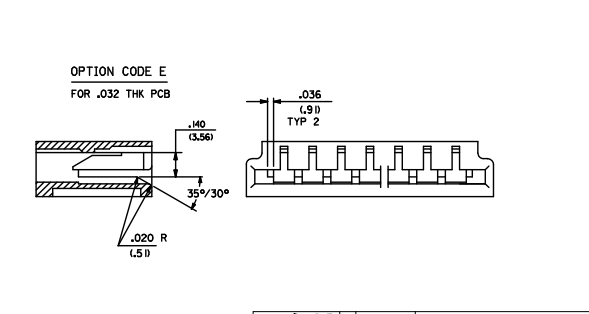


| | | | | | | |
|--|--|---------------------------------------|----------------------------------|---|-------------------|------------------------|
| NOTE 7 EC NO: UCP2015-0556 2014/08/07 DRAWN: JIROX 2014/08/08 CHKD: KIPPER 2014/08/29 APPROVED: SMITH | QUALITY SYMBOLS | GENERAL TOLERANCES (UNLESS SPECIFIED) | DIMENSION STYLE IN/MM | SCALE 4:1 | DESIGN UNITS INCH | THIRD ANGLE PROJECTION |
| | 4 PLACES ± --- ± --- | mm INCH | DRAWN BY PEREZ-ARGUET 1988/03/02 | DATE | TITLE | EDGE CARD CONNECTOR |
| | 3 PLACES ± --- ± .010 | ± .010 | CHECKED BY | DATE | | .156(3.96) CENTERS |
| | 2 PLACES ± 0.25 ± .015 | ± .015 | PATEL | 1988/03/02 | | CRIMP TYPE-2574 SERIES |
| 1 PLACE ± 0.36 ± --- | ± --- | APPROVED BY | DATE | | | |
| 0 PLACE ± --- ± --- | ± --- | FSMITH | 2012/08/13 | | | |
| | ANGULAR ± 3° | | MATERIAL NO. | DOCUMENT NO. | | SHEET NO. |
| | DRAFT WHERE APPLICABLE MUST REMAIN WITHIN DIMENSIONS | | SEE CHART | SD-2574 | | 1 OF 3 |
| | | | SIZE C | THIS DRAWING CONTAINS INFORMATION THAT IS PROPRIETARY TO MOLEX INCORPORATED AND SHOULD NOT BE USED WITHOUT WRITTEN PERMISSION | | |

13 12 11 10 9 8 7 6 5 4 3 2 1



| NO. OF CKT'S | DIM. C | DIM. D | DIM. E | DIM. A |
|--------------|---------------|----------------|------------------------|---------------|
| 3 | .632 (16.05) | 1.143 (29.03) | .312±.002 (7.92±.05) | .618 (15.70) |
| 4 | .788 (20.02) | 1.224 (31.09) | .468±.002 (11.89±.05) | .774 (19.66) |
| 5 | .944 (23.98) | 1.380 (35.05) | .624±.003 (15.85±.08) | .922 (23.42) |
| 6 | 1.100 (27.94) | 1.536 (39.01) | .780±.003 (19.81±.08) | 1.078 (27.38) |
| 7 | 1.256 (31.90) | 1.692 (42.98) | .936±.003 (23.77±.08) | 1.232 (31.29) |
| 8 | 1.412 (35.86) | 1.848 (46.94) | 1.092±.004 (27.74±.10) | 1.388 (35.26) |
| 9 | 1.568 (39.83) | 2.004 (50.90) | 1.248±.004 (31.70±.10) | 1.544 (39.22) |
| 10 | 1.724 (43.79) | 2.160 (54.86) | 1.404±.005 (35.66±.15) | 1.700 (43.18) |
| 11 | 1.880 (47.75) | 2.316 (58.83) | 1.560±.006 (39.62±.15) | 1.854 (47.09) |
| 12 | 2.036 (51.71) | 2.472 (62.79) | 1.716±.006 (43.59±.15) | 2.010 (51.05) |
| 13 | 2.192 (55.68) | 2.628 (66.75) | 1.872±.006 (47.55±.15) | 2.164 (54.97) |
| 14 | 2.348 (59.64) | 2.784 (70.71) | 2.028±.007 (51.51±.18) | 2.318 (58.88) |
| 15 | 2.504 (63.60) | 2.940 (74.68) | 2.184±.007 (55.47±.18) | 2.474 (62.84) |
| 16 | 2.660 (67.56) | 3.096 (78.64) | 2.340±.007 (59.44±.18) | 2.631 (66.83) |
| 17 | 2.816 (71.53) | 3.252 (82.60) | 2.496±.008 (63.40±.20) | 2.784 (70.71) |
| 18 | 2.972 (75.49) | 3.408 (86.56) | 2.652±.009 (67.36±.23) | 2.954 (75.03) |
| 19 | 3.128 (79.45) | 3.564 (90.53) | 2.808±.009 (71.32±.23) | 3.095 (78.61) |
| 20 | 3.284 (83.41) | 3.720 (94.49) | 2.964±.009 (75.29±.23) | 3.251 (82.58) |
| 21 | 3.440 (87.38) | 3.876 (98.45) | 3.120±.010 (79.25±.25) | 3.407 (86.54) |
| 22 | 3.596 (91.34) | 4.032 (102.41) | 3.276±.011 (83.21±.25) | 3.562 (90.47) |
| 23 | 3.752 (95.30) | 4.188 (106.38) | 3.432±.011 (87.17±.28) | 3.716 (94.39) |
| 24 | 3.908 (99.26) | 4.344 (110.34) | 3.588±.012 (91.14±.30) | 3.871 (98.32) |



| | | | | | | | |
|--|--------------------------------------|--|---|---|---------------------------|-------------------------|---------------------|
| SEE SHEET 1 DEC NO: UCP2015-0556 DRAWN: JIFUX 2014/08/07 CHKD: KIPER 2014/08/08 APPROV: SMITH 2014/08/29 D4 | QUALITY SYMBOLS ∇=0 ∇=0 ∇=0 | GENERAL TOLERANCES (UNLESS SPECIFIED) mm INCH | DIMENSION STYLE IN/MM | SCALE --- | DESIGN UNITS INCH | THIRD ANGLE PROJECTION | |
| | | 4 PLACES ±.--- ±.--- 3 PLACES ±.--- ±.--- 2 PLACES ±.25 ±.015 1 PLACE ±.0,36 ±.--- 0 PLACE ±.--- ±.--- | DRAWN BY PEREZ-ARGUET 1988/03/02 CHECKED BY DATE PATEL 1988/03/02 APPROVED BY DATE F SMITH 2012/08/13 | TITLE EDGE CARD CONNECTOR .156/(3.96) CENTERS CRIMP TYPE-2574 SERIES | MATERIAL NO. SEE CHART | DOCUMENT NO. SD-2574 | SHEET NO. 2 OF 3 |
| | | ANGULAR ± 3° DRAFT WHERE APPLICABLE MUST REMAIN WITHIN DIMENSIONS | THIS DRAWING CONTAINS INFORMATION THAT IS PROPRIETARY TO MOLEX INCORPORATED AND SHOULD NOT BE USED WITHOUT WRITTEN PERMISSION | | | | |
| | | | | | | | |



13 12 11 10 9 8 7 6 5 4 3 2 1

| 2574-NA* | | 2574-NB* | | 2574-NC* | | 2574-ND* | | 2574-NE* | | 2574-NF* | |
|------------|------------------------|------------|------------------------|------------|------------------------|----------|------------------------|----------|------------------------|------------|------------------------|
| PART NO. | ENG. NO. (SUFFIX ONLY) | PART NO. | ENG. NO. (SUFFIX ONLY) | PART NO. | ENG. NO. (SUFFIX ONLY) | PART NO. | ENG. NO. (SUFFIX ONLY) | PART NO. | ENG. NO. (SUFFIX ONLY) | PART NO. | ENG. NO. (SUFFIX ONLY) |
| 09-01-6031 | -3A1 | 09-01-7031 | -3B1 | 09-01-6038 | -3C1 | | -3D1 | | -4E1 | 09-01-7065 | -6F1-BK |
| 09-01-6041 | -4A1 | 09-01-7041 | -4B1 | 09-01-6048 | -04C1 | | -08D1 | | -6E1 | 09-01-7087 | -8F1-BK |
| 09-01-6051 | -5A1 | 09-01-7051 | -5B1 | 09-01-6088 | -08C1 | | -20D1 | | | | |
| 09-01-6064 | -6A1 | 09-01-7064 | -6B1 | | -20C1 | | | | | | |
| 09-01-6081 | -8A1 | 09-01-7081 | -8B1 | | | | | | | | |
| | -8A1D | 09-01-7069 | -8B1D | | | | | | | | |
| 09-01-6055 | -5A2 | | -8B1D | | | | | | | | |
| 09-01-6061 | -6A2 | 09-01-7061 | -6B2 | | | | | | | | |
| 09-01-6085 | -8A2 | 09-01-7085 | -8B2 | | | | | | | | |
| 09-01-6095 | -9A2 | 09-01-7095 | -9B2 | | | | | | | | |
| 09-01-6071 | -7A3 | 09-01-7071 | -7B3 | | | | | | | | |
| 09-01-6086 | -8A3 | 09-01-7086 | -8B3 | | | | | | | | |
| 09-01-6083 | -8A4 | 09-01-7083 | -8B4 | | | | | | | | |
| 09-01-6094 | -9A4 | 09-01-7094 | -9B4 | | | | | | | | |
| 09-01-6091 | -9A5 | 09-01-7091 | -9B5 | | | | | | | | |
| 09-01-6101 | -10A6 | 09-01-7101 | -10B6 | | | | | | | | |
| 09-01-6121 | -12A7 | 09-01-7121 | -12B7 | | | | | | | | |
| 09-01-6129 | -12A4 | 09-01-7129 | -12B4 | | | | | | | | |
| 09-01-6181 | -18A8 | 09-01-7181 | -18B8 | | | | | | | | |
| 09-01-6191 | -18A9 | 09-01-7191 | -18B9 | | | | | | | | |
| 09-01-6161 | -16A9 | 09-01-7161 | -16B9 | | | | | | | | |
| 09-01-6171 | -17A10 | 09-01-7171 | -17B10 | | | | | | | | |
| 09-01-6211 | -21A11 | 09-01-7211 | -21B11 | | | | | | | | |
| 09-01-6224 | -22A12 | 09-01-7224 | -22B12 | | | | | | | | |
| 09-01-6221 | -22A13 | 09-01-7221 | -22B13 | | | | | | | | |
| 09-01-6191 | -19A14 | 09-01-7191 | -19B14 | | | | | | | | |
| 09-01-6241 | -24A15 | 09-01-7241 | -24B15 | | | | | | | | |
| 09-01-7222 | -22A16 | | -6B1-BK | | | | | | | | |

| | | | | | | | | | | | |
|--|--|--|--|--|--|--|--|--|--|--|--|
| | | | | | | | | | | | |
|--|--|--|--|--|--|--|--|--|--|--|--|

| | | | | | | | | | | | |
|--|---------------------|--|-----------------------|--------------------------|----------------------|---------------------|-----------------------------------|------------------------|---|--|--|
| SEE SHEET 1 IEC NO: UCP2015-0556 DRAWN BY: JDFX 2014/08/07 CHECKED BY: CHKDK/TPER 2014/08/08 APPROVED BY: TSMITH 2014/08/29 D4 REV | QUALITY SYMBOLS | GENERAL TOLERANCES (UNLESS SPECIFIED) | | DIMENSION STYLE IN/MM | | SCALE --- | DESIGN UNITS INCH | THIRD ANGLE PROJECTION | | | |
| | | 4 PLACES ± --- ± --- | 3 PLACES ± --- ± .010 | 2 PLACES ± 0.25 ± .015 | 1 PLACE ± 0.36 ± --- | 0 PLACE ± --- ± --- | DRAWN BY: PEREZ-ARGUET 1988/03/02 | DATE: 1988/03/02 | TITLE: EDGE CARD CONNECTOR .156/(3.96) CENTERS CRIMP TYPE-2574 SERIES | | |
| | | ANGULAR ± 3 ° | | MATERIAL NO. | | DOCUMENT NO. | | SHEET NO. | | | |
| | | DRAFT WHERE APPLICABLE MUST REMAIN WITHIN DIMENSIONS | | SEE CHART | | SD-2574 | | 3 OF 3 | | | |

1b_frame_C_P_AM_T Rev. G 2012/01/11 12 11 10 9 8 7 6 5 4 3 2 1