

Excellent Integrated System Limited

Stocking Distributor

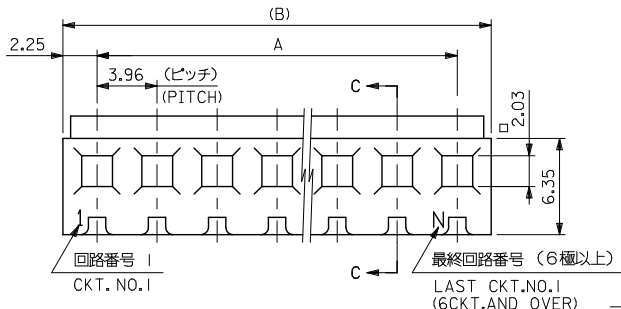
Click to view price, real time Inventory, Delivery & Lifecycle Information:

[Molex Connector Corporation](#)
[0009524054](#)

For any questions, you can email us directly:

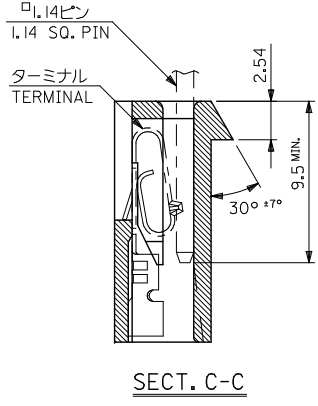
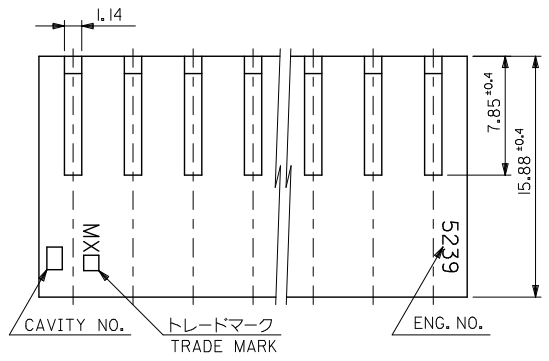
sales@integrated-circuit.com

10 9 8 7 6 5 4 3 2 1



注記 NOTES

- 適合ターミナル : 2478,2578,5167,5168 シリーズ
APPLICABLE TERMINAL: 2478,2578,5167,5168 SERIES.
- 反り : 0.2/25.4 MAX.
CAMBER: 0.2/25.4 MAX.



VO	79.74	75.24 ^{+0.4}	09-52-4204	5239-20	20
	71.82	67.32 ^{+0.35}	-4184	-18	18
	67.86	63.36 ^{+0.3}	-4174	-17	17
	63.90	59.40 ^{+0.3}	-4164	-16	16
	59.94	55.44 ^{+0.3}	-4154	-15	15
	55.98	51.48 ^{+0.3}	-4144	-14	14
	52.02	47.52 ^{+0.3}	-4134	-13	13
	48.06	43.56 ^{+0.25}	-4124	-12	12
	44.10	39.60 ^{+0.25}	-4114	-11	11
	40.14	35.64 ^{+0.25}	-4104	-10	10
	36.18	31.68 ^{+0.2}	-4094	-09	9
	32.22	27.72 ^{+0.2}	-4084	-08	8
	28.26	23.76 ^{+0.2}	-4074	-07	7
	24.30	19.80 ^{+0.2}	-4064	-06	6
	20.34	15.84 ^{+0.15}	-4054	-05	5
	16.38	11.88 ^{+0.15}	-4044	-04	4
	12.42	7.92 ^{+0.15}	-4034	-03	3
	8.46	3.96 ^{+0.1}	09-52-4024	5239-02	2

MATERIAL
ナイロン66 UL94V-2
NYLON66

REVISED EC NO. J2013-1101 DRAWN/MAKE CHKD: APPR: Y0110	2013/04/04	2013/04/04	GENERAL TOLERANCES (UNLESS SPECIFIED)	DIMENSION STYLE MM ONLY	SCALE 4:1	DESIGN UNITS METRIC	EDP NO.	ENG. NO.	極致 CKT.
	DESCRIPTION	DATE	10 UNDER ±0.2	DRAWN BY H. HIRAMOTO	DATE 1989/09/15	TITLE KK 3.96 RECEPTACLE HSG			
		DATE	10 OVER 30 UNDER ±0.25	CHECKED BY S. A / M. F.	DATE 1996/04/10				
		DATE	30 OVER ±0.3	APPROVED BY M. FUKUSHIMA	DATE 1996/04/10				
			ANGULAR ±3 °	MATERIAL NO.	DOCUMENT NO.				
			DRAFT WHERE APPLICABLE MUST REMAIN WITHIN DIMENSIONS	SEE CHART					
				SIZE A3	THIS DRAWING CONTAINS INFORMATION THAT IS PROPRIETARY TO MOLEX INCORPORATED AND SHOULD NOT BE USED WITHOUT WRITTEN PERMISSION				