



**Distributor of Molex Connector Corporation: Excellent Integrated System Limited**  
Datasheet of 0010101021 - Connector Receptacle 2 Position 0.200" (5.08mm) Tin Through  
Hole, Right Angle

Contact us: [sales@integrated-circuit.com](mailto:sales@integrated-circuit.com) Website: [www.integrated-circuit.com](http://www.integrated-circuit.com)

---

## **Excellent Integrated System Limited**

Stocking Distributor

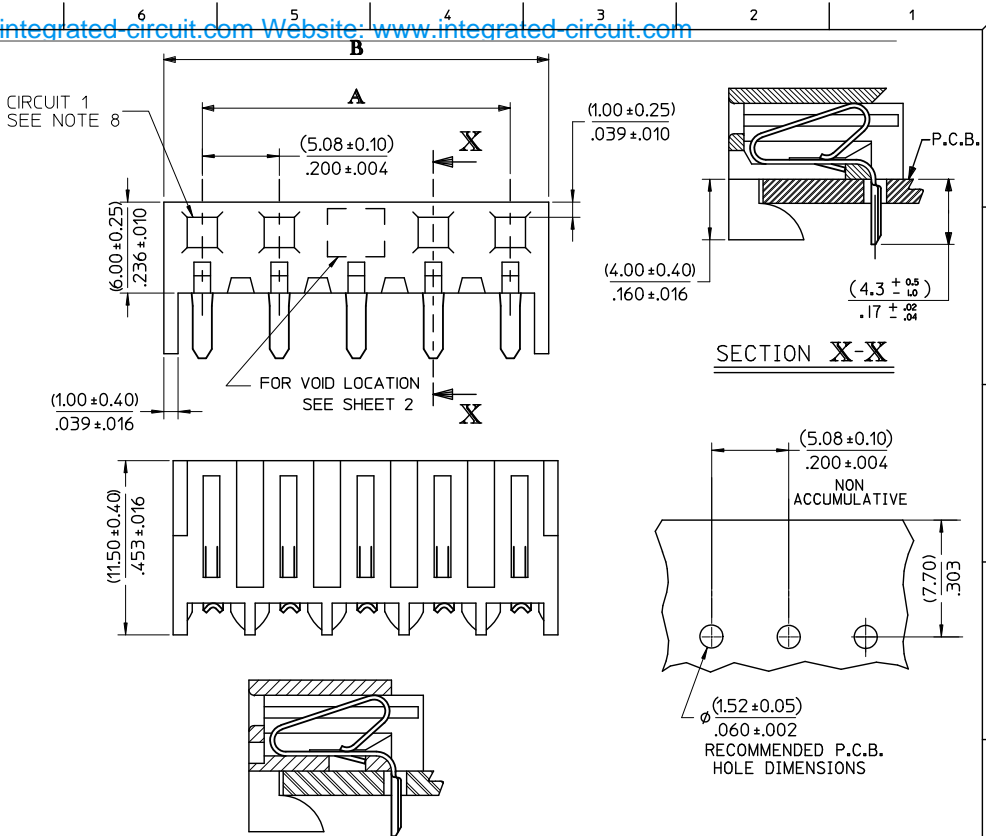
Click to view price, real time Inventory, Delivery & Lifecycle Information:

[Molex Connector Corporation](#)  
[0010101021](#)

For any questions, you can email us directly:  
[sales@integrated-circuit.com](mailto:sales@integrated-circuit.com)

Contact us: sales@integrated-circuit.com Website: www.integrated-circuit.com

CCT	PART No.	ENG No.	DIM A	DIM B
2	10-10-1021	AE-3002-2A	(5.08 ± 0.10) .200 ± .004	(10.16 ± 0.25) .400 ± .008
3	-1031	-3A	(10.16 ± 0.10) .400 ± .004	(15.24 ± 0.25) .600 ± .008
4	-1041	-4A	(15.24 ± 0.10) .600 ± .004	(20.32 ± 0.25) .800 ± .008
5	-1051	-5A	(20.32 ± 0.10) .800 ± .004	(25.40 ± 0.25) 1.000 ± .008
6	-1061	-6A	(25.40 ± 0.10) 1.000 ± .004	(30.48 ± 0.25) 1.200 ± .008
7	-1071	-7A	(30.48 ± 0.20) 1.200 ± .008	(35.56 ± 0.25) 1.400 ± .008
8	-1081	-8A	(35.56 ± 0.20) 1.400 ± .008	(40.64 ± 0.25) 1.600 ± .008
9	-1091	-9A	(40.64 ± 0.20) 1.600 ± .008	(45.72 ± 0.25) 1.800 ± .008
10	-1101	-10A	(45.72 ± 0.20) 1.800 ± .008	(50.80 ± 0.25) 2.000 ± .008
11	-1111	-11A	(50.80 ± 0.20) 2.000 ± .008	(55.88 ± 0.25) 2.200 ± .012
12	10-10-1121	AE-3002-12A	(55.88 ± 0.25) 2.200 ± .010	(60.96 ± 0.30) 2.400 ± .012



- NOTES:**
- HOUSING : NYLON, UL94V-2, COLOR: NATURAL  
TERMINAL : PHOSPHOR BRONZE
  - FINISH: HOT TIN DIP. (0.00254)/.000100 MIN
  - PRODUCT SPECIFICATION : PS-99020-0087
  - PACKAGING SPECIFICATION : TBD
  - HOUSING SUITABLE FOR (1.14±0.15)/.045±.006 RD OR SQ. PINS
  - HOOKS AVAILABLE ON ENDS ONLY
  - THIS PART CONFORMS TO CLASS B REQUIREMENTS OF COSMETIC SPECIFICATION PS-45499-002
  - CIRCUIT 1 I.D. USED TO DEFINE VOID LOCATION.  
CIRCUIT 1 MAY OR MAY NOT LINE UP WITH CIRCUIT 1 OF MATING PART

REV	DESCRIPTION	QUALITY SYMBOLS	GENERAL TOLERANCES (UNLESS SPECIFIED)		DIMENSION STYLE		SCALE	DESIGN UNITS	THIRD ANGLE PROJECTION
			mm	INCH	MM/IN	DATE			
M	OBSOLETE 13-20 CKT EC No: UCP2011-3286 DRAWN: MSTRON 2011/04/25 CHKD: HKIPPER 2011/04/30 APPR: F SMITH 2011/05/02	√=0 √=0 √=0	4 PLACES ± --- ± ---	3 PLACES ± --- ± ---	2 PLACES ± --- ± ---	1 PLACE ± --- ± ---	ANGULAR ± --- °	DRAWN BY: GCH DATE: 1995/06/15 CHECKED BY: GMCSWEENEY DATE: 2005/08/31 APPROVED BY: JDENNEHY DATE: 2005/08/31	TITLE: KONEKTCON AND P.C. TAIL TERMINAL ASSEMBLY (5.08)/.200 PITCH
			DRAFT WHERE APPLICABLE MUST REMAIN WITHIN DIMENSIONS		MATERIAL NO. SEE CHART		SCALE: 4:1	DESIGN UNITS: METRIC	THIRD ANGLE PROJECTION
					SIZE: A3		DOCUMENT NO. SDAE-3002-NA-*	Molex	SHEET NO. 1 OF 2