

Excellent Integrated System Limited

Stocking Distributor

Click to view price, real time Inventory, Delivery & Lifecycle Information:

[Richtek USA Inc.](#)
[RT9519AGQW](#)

For any questions, you can email us directly:
sales@integrated-circuit.com

Linear Single Cell Li-Ion Battery Charger with Auto Power Path Management

General Description

The RT9519A is an integrated single cell Li-ion battery charger with Auto Power Path Management (APPM). No external MOSFETs are required. The RT9519A enters sleep mode when power is removed. Charging tasks are optimized by using a control algorithm to vary the charge rate, including pre-charge mode, fast charge mode and constant voltage mode. For the RT9519A, the charge current can also be programmed with an external resistor and modified with an external GPIO. The scope that the battery regulation voltage can be modified with an external GPIO depends on the battery temperature. The internal thermal feedback circuitry regulates the die temperature to optimize the charge rate for all ambient temperatures. The charging task will always be terminated in constant voltage mode when the charging current reduces to the termination current of $10\% \times I_{CHG_FAST}$. Other features include under voltage protection and over voltage protection for VIN the supply.

Ordering Information

RT9519A□□

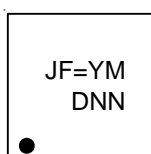
- Package Type
QW : WQFN-20L 3x3 (W-Type)
- Lead Plating System
G : Green (Halogen Free and Pb Free)

Note :

Richtek products are :

- ▶ RoHS compliant and compatible with the current requirements of IPC/JEDEC J-STD-020.
- ▶ Suitable for use in SnPb or Pb-free soldering processes.

Marking Information



JF= : Product Code
 YMDNN : Date Code

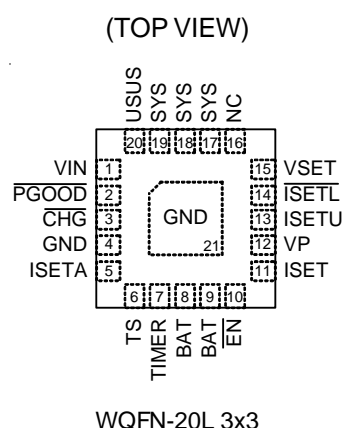
Features

- 28V Maximum Rating for VIN Power
- Selectable Power Current Limit (0.1A / 0.5A / 1.5A)
- Integrated Power MOSFETs
- Auto Power Path Management (APPM)
- Battery Charging Current Control
- Battery Regulation Voltage Control
- Programmable Charging Current and Safe Charge Timer
- Under Voltage Protection, Over Voltage Protection
- Power Good and Charge Status Indicator
- Optimized Charge Rate via Thermal Feedback
- Thin 20-Lead WQFN Package
- RoHS Compliant and Halogen Free

Applications

- Digital Cameras
- PDAs and Smart Phones
- Portable Instruments

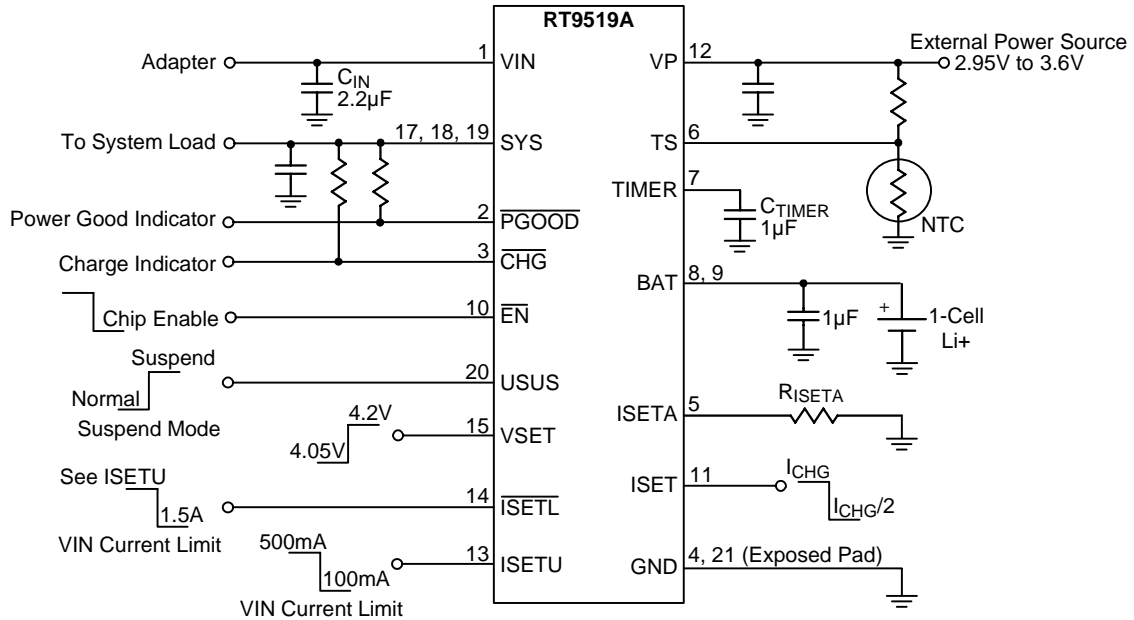
Pin Configurations



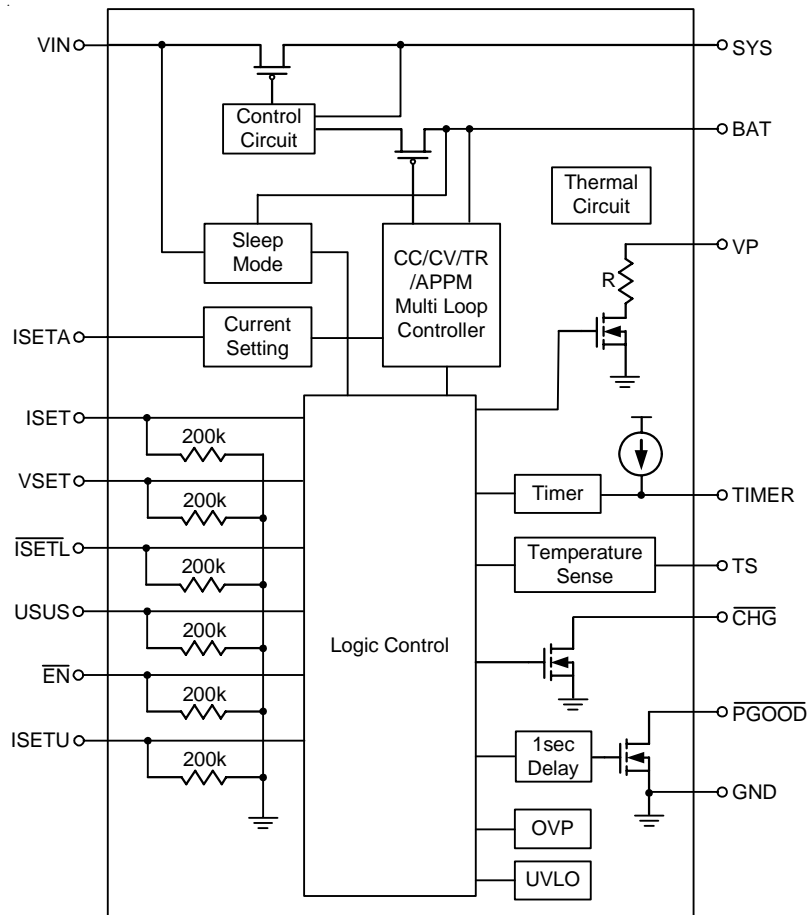
RT9519A



Typical Application Circuit



Function Block Diagram



Functional Pin Description

Pin No.	Pin Name	Pin Function
1	VIN	Supply Voltage Input.
2	$\overline{\text{PGOOD}}$	Power Good Status Output. Open-drain output.
3	$\overline{\text{CHG}}$	Charger Status Output. Open-drain output.
4, 21 (Exposed Pad)	GND	Ground. The exposed pad must be soldered to a large PCB and connected to GND for maximum power dissipation.
5	ISETA	Charge Current Set Input. Connect a resistor (R_{ISETA}) between ISETA and GND.
6	TS	Temperature Sense Input. The TS pin connects to a battery's thermistor to determine if the battery is too hot or too cold to charge. If the battery's temperature is out of range, charging is paused until it re-enters the valid range. TS also detect battery (with NTC) is present or not.
7	TIMER	Safe Charge Timer Setting.
8,9	BAT	Battery Charge Current Output.
10	$\overline{\text{EN}}$	Charge Enable. Active Low input. 200k Ω pull low.
11	ISET	Half Charge Current Set Input. Control by external GPIO, L = $I_{\text{CHG1}} / 2$, H = I_{CHG1} , 200k Ω pull low.
12	VP	This pin must be provided a regulated voltage from 2.95V to 3.6V by external power.
13	ISETU	VIN Current Limit Control Input. When $\overline{\text{ISETL}} = \text{H}$, L = 100mA, H = 500mA, 200k Ω pull low.
14	$\overline{\text{ISETL}}$	VIN Current Limit Control Input. H : see ISETU, L = 1.5A, 200k Ω pull low.
15	VSET	Battery Regulation Set Input. Control by external GPIO. L = 4.05V, H = 4.2V, 200k Ω pull low.
16	NC	No Internal Connection.
17, 18, 19	SYS	System Connect Pin. Connect this pin to System with a minimum 10 μF ceramic capacitor to GND.
20	USUS	VIN Suspend Control Input. H = Suspend, L = No suspend. 200k Ω pull low.

RT9519A



Absolute Maximum Ratings (Note 1)

• Supply Voltage, V_{IN}	-0.3V to 28V
• CHG, PGOOD	-0.3V to 28V
• Other Pins	-0.3V to 6V
• CHG, PGOOD Continuous Current	20mA
• BAT Continuous Current (total in two pins) (Note 2)	2.5A
• Power Dissipation, P_D @ $T_A = 25^\circ\text{C}$	
WQFN-20L 3x3	1.471W
• Package Thermal Resistance (Note 3)	
WQFN-20L 3x3, θ_{JA}	68°C/W
WQFN-20L 3x3, θ_{JC}	7.5°C/W
• Lead Temperature (Soldering, 10 sec.)	260°C
• Junction Temperature	150°C
• Storage Temperature Range	-65°C to 150°C
• ESD Susceptibility (Note 4)	
HBM (Human Body Mode)	2kV
MM (Machine Mode)	200V

Recommended Operating Conditions (Note 5)

• Supply Input Voltage Range, V_{IN} ($\overline{ISETL} = L$)	4.4V to 6V
• Supply Input Voltage Range, V_{IN} ($\overline{ISETL} = H$)	4.5V to 6V
• Junction Temperature Range	-40°C to 125°C
• Ambient Temperature Range	-40°C to 85°C

Electrical Characteristics

($V_{IN} = 5V$, $V_{BAT} = 4V$, $T_A = 25^\circ\text{C}$, unless otherwise specified)

Parameter	Symbol	Test Conditions	Min	Typ	Max	Unit
Supply Input						
VIN Under Voltage Lockout Threshold	V_{UVLO}	$V_{IN} = 0V$ to 4V	3.1	3.3	3.5	V
VIN Under Voltage Lockout Hysteresis	ΔV_{UVLO}	$V_{IN} = 4V$ to 0V	--	240	--	mV
VIN Supply Current	I_{SUPPLY}	$I_{SYS} = I_{BAT} = 0mA$, $\overline{EN} = L$ ($V_{BAT} > V_{REGx}$)	--	1	2	mA
		$I_{SYS} = I_{BAT} = 0mA$, $\overline{EN} = H$ ($V_{BAT} > V_{REGx}$)	--	0.8	1.5	mA
VIN Suspend Current	I_{USUS}	$V_{IN} = 5V$, $USUS = H$	--	195	300	μA
VBAT Sleep Leakage Current	I_{SLEEP}	$V_{BAT} > V_{IN}$, ($V_{IN} = 0V$)	--	5	15	μA
VIN-BAT VOS Rising	V_{OS_H}		--	200	300	mV
VIN-BAT VOS Falling	V_{OS_L}		10	50	--	mV
Voltage Regulation						
System Regulation Voltage	V_{SYS}	$I_{SYS} = 800mA$	4.3	4.4	4.5	V
Battery Regulation Voltage	V_{REG1}	0 to 85°C, Loading = 20mA, When $V_{SET} = H$	4.16	4.2	4.23	V
Battery Regulation Voltage	V_{REG2}	0 to 85°C, Loading = 20mA, When $V_{SET} = L$	4.01	4.05	4.08	V
APPM Regulation Voltage	ΔV_{APPM}	$V_{SYS} - \Delta V_{APPM}$	120	200	280	mV

To be continued

RICHTEK

RT9519A

Parameter	Symbol	Test Conditions	Min	Typ	Max	Unit
DPM Regulation Voltage	V _{DPM}	I _{SETL} = H	4.3	4.4	4.5	V
VIN to VSYS MOSFET Ron	R _{DS(ON)}	I _{VIN} = 1000mA	--	0.2	0.35	Ω
BAT to VSYS MOSFET Ron	R _{DS(ON)}	V _{BAT} = 4.2V, I _{SYS} = 1A	--	0.05	0.1	Ω
Re-Charge Threshold	ΔV _{REGCHG}	Battery Regulation – Recharge level	60	100	140	mV
Current Regulation						
ISETA Set Voltage (Fast Charge Phase)	V _{ISETA}	V _{BAT} = 4V, R _{ISETA} = 1kΩ	--	2	--	V
Charge Current Setting Range	I _{CHG}		100	--	1200	mA
Charge Current Accuracy1	I _{CHG1}	V _{BAT} = 4V, R _{ISETA} = 1kΩ I _{SET} = H	570	600	630	mA
Charge Current Accuracy2	I _{CHG2}	V _{BAT} = 3.8V, R _{ISETA} = 1kΩ I _{SET} = L	285	300	315	mA
VIN Current Limit	I _{VIN}	I _{SETL} = L (1.5A Mode)	1.2	1.5	1.8	A
		I _{SETL} = H, I _{SETU} = H (500mA mode)	450	475	500	mA
		I _{SETL} = H, I _{SETU} = L (100mA Mode)	90	95	100	mA
Pre-charge						
BAT Pre-Charge Threshold	V _{PRECH}	BAT Falling	2.7	2.8	2.9	V
BAT Pre-Charge Threshold Hysteresis	ΔV _{PRECH}		--	200	--	mV
Pre-Charge Current	I _{CHG_PRE}	V _{BAT} = 2V	5	10	15	%
Charge Termination Detection						
Termination Current Ratio to Fast Charge (Except USB 100 Mode)	I _{TERM}	I _{SETL} = H, I _{SETU} = H I _{SETL} = L, I _{SETU} = X	5	10	15	%
Termination Current Ratio to Fast Charge (USB100 Mode)	I _{TERM2}	I _{SETL} = H, I _{SETU} = L	--	3.3	--	%
Logic Input/Output						
CHG Pull Down Voltage	V _{CHG}	I _{CHG} = 5mA	--	200	--	mV
PGOOD Pull Down Voltage	V _{PGOOD}	I _{PGOOD} = 5mA	--	200	--	mV
EN, I _{SETL} , USUS, I _{SETU} , V _{SET} , I _{SET} Threshold Voltage	Logic-High	V _{IH}	1.5	--	--	V
	Logic-Low	V _{IL}	--	--	0.4	
Protection						
Thermal Regulation	T _{REG}		--	125	--	°C
Thermal Shutdown Temperature	T _{SD}		--	155	--	°C
Thermal Shutdown Hysteresis	ΔT _{SD}		--	20	--	°C
Over Voltage Protection	V _{OVP}	V _{VIN} Rising	6.25	6.5	6.75	V
Over Voltage Protection Hysteresis	ΔV _{OVP}	V _{VIN} = 7V to 5V, V _{OVP} – ΔV _{OVP}	--	100	--	mV
Output Short Circuit Detection Threshold	V _{SHORT}	V _{BAT} – V _{VSYS}	--	300	--	mV
Time						
Pre-Charge Fault Time	t _{PCHG}	C _{TIMER} = 1μF (1/8 x t _{FCHG})	1440	1800	2160	s
Fast charge Fault Time	t _{FCHG}	C _{TIMER} = 1μF	11520	14400	17280	s

To be continued

RT9519A



Parameter	Symbol	Test Conditions	Min	Typ	Max	Unit
$\overline{\text{PGOOD}}$ Deglitch Time	$t_{\overline{\text{PGOOD}}}$	Time measured from VIN : 0→5V 1 μ s rise-time to $\overline{\text{PGOOD}} = \text{L}$	--	1	--	s
Input Over Voltage Blanking Time	t_{OVP}		--	50	--	μ s
Pre-Charge to Fast-Charge Deglitch Time	t_{PF}		--	25	--	ms
Fast-Charge to Pre-Charge Deglitch Time	t_{FP}		--	25	--	ms
Termination Deglitch Time	t_{TERMI}		--	25	--	ms
Recharge Deglitch Time	t_{RECHG}		--	100	--	ms
Input Power Loss to SYS LDO Turn-Off Delay Time	$t_{\text{NO_IN}}$		--	25	--	ms
Pack Temperature Fault Detection Deglitch Time	t_{TS}		--	25	--	ms
Short Circuit Deglitch Time	t_{SHORT}		--	250	--	μ s
Short Circuit Recovery Time	$t_{\text{SHORT-R}}$		--	64	--	ms
Other						
VP (External used only)	V_{VP}		2.95	--	3.6	V
VP Under Voltage Lockout Threshold		Falling Threshold	--	0.8	--	V
TS Battery Detect Threshold	V_{TS}		2.75	2.85	2.95	V
NTC						
Low Temperature Trip Point	V_{COLD}	Rising Threshold	58.8	60	61.2	% of VP
Low Temperature Trip point Hysteresis	ΔV_{COLD}		--	1.5	--	% of VP
High Temperature Trip Point	V_{HOT}	Falling Threshold	35.8	37.5	39.1	% of VP
High Temperature Trip Point Hysteresis	ΔV_{HOT}		--	1.5	--	% of VP

Note 1. Stresses listed as the above "Absolute Maximum Ratings" may cause permanent damage to the device. These are for stress ratings. Functional operation of the device at these or any other conditions beyond those indicated in the operational sections of the specifications is not implied. Exposure to absolute maximum rating conditions for extended periods may remain possibility to affect device reliability.

Note 2. Guraranteed by design.

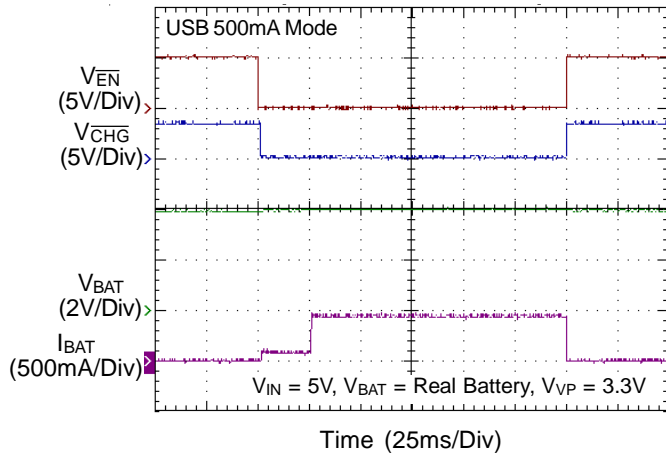
Note 3. θ_{JA} is measured in natural convection at $T_{\text{A}} = 25^{\circ}\text{C}$ on a high effective thermal conductivity four-layer test board of JEDEC 51-7 thermal measurement standard. The measurement case position of θ_{JC} is on the exposed pad of the package.

Note 4. Devices are ESD sensitive. Handling precaution is recommended.

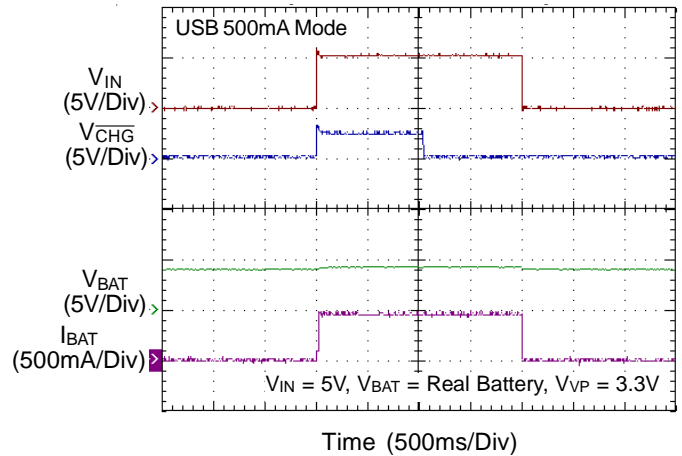
Note 5. The device is not guaranteed to function outside its operating conditions.

Typical Operating Characteristics

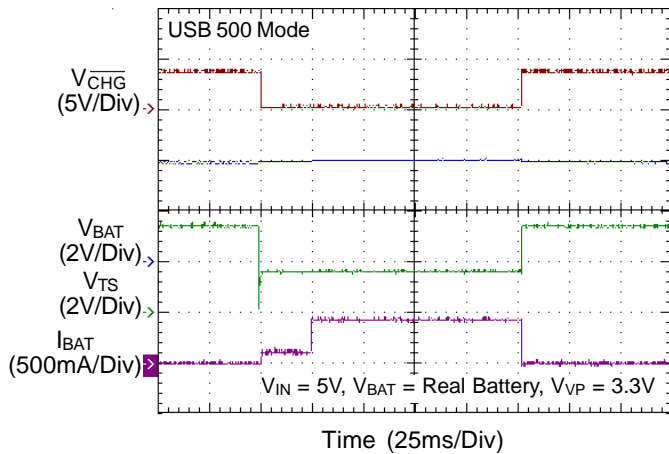
Charger On/Off Control from \overline{EN}



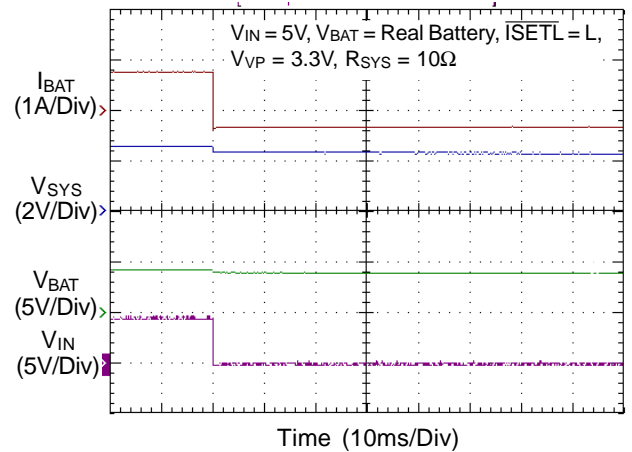
Charger On/Off Control from VIN



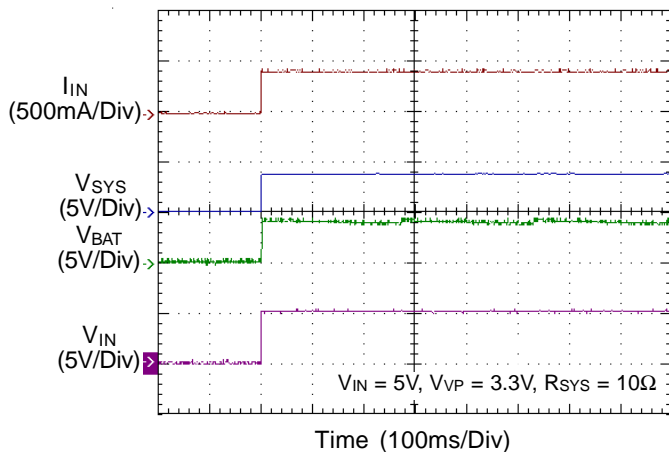
TS Inserted/Removed



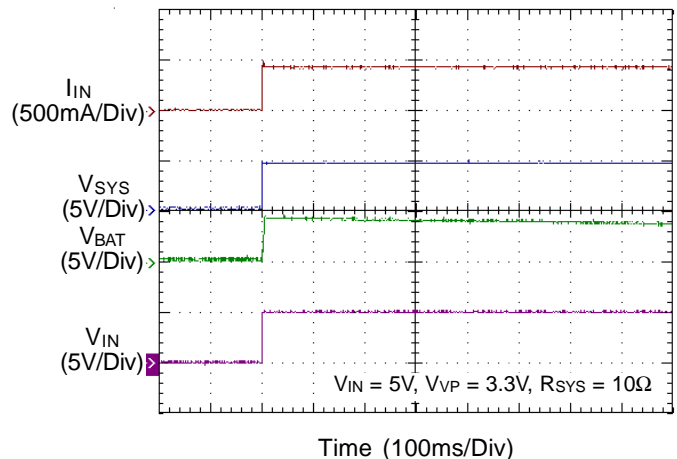
V_{IN} Removal



V_{IN} Hot-plug with NTC/Without Battery



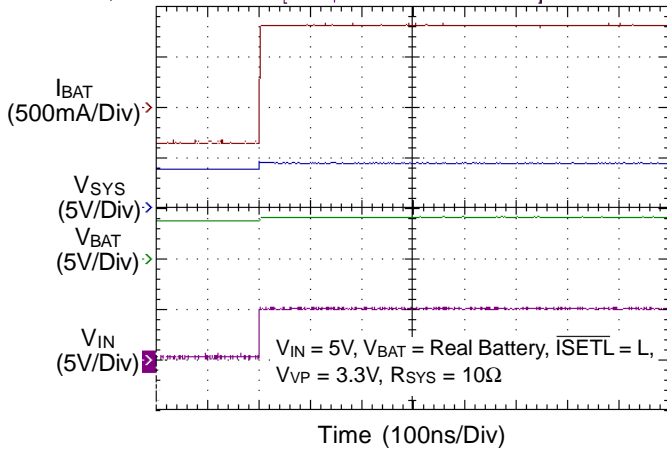
V_{IN} Hot-plug Without NTC/Battery



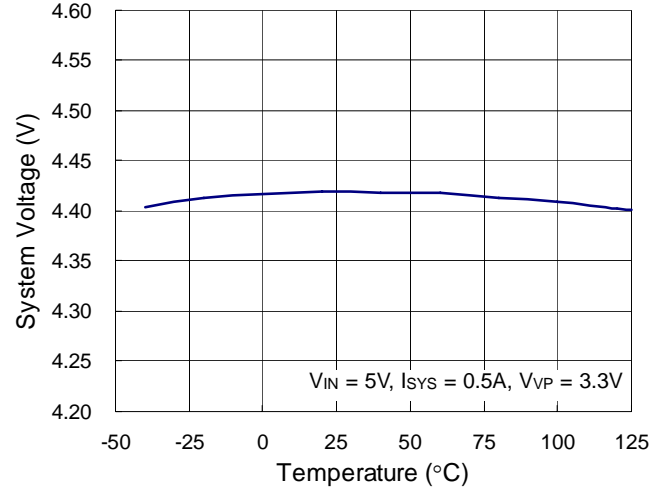
RT9519A



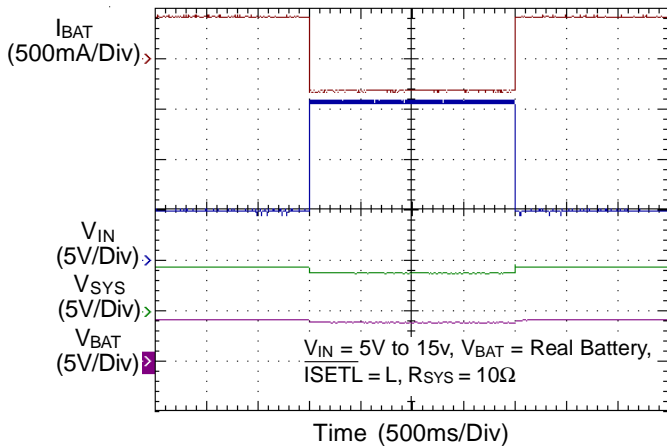
V_{IN} Hot-plug with Battery



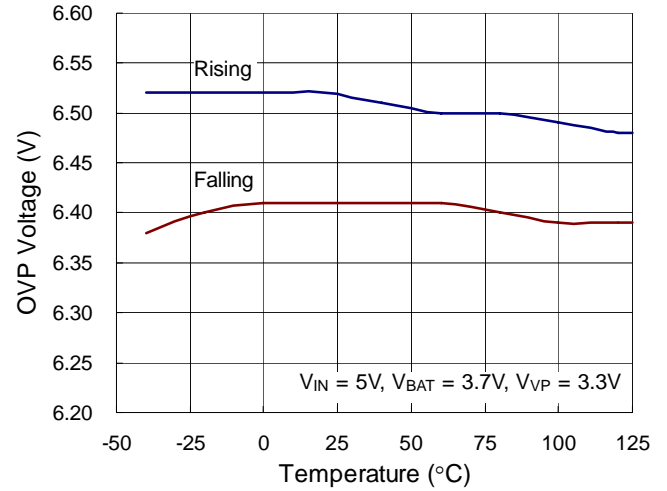
System Regulation Voltage vs. Temperature



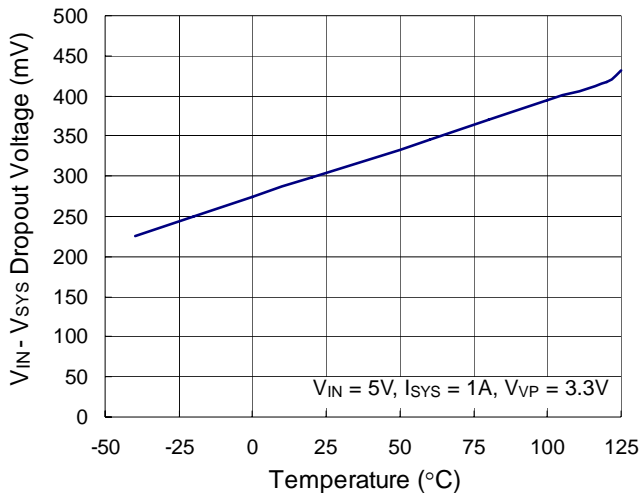
V_{IN} Over Voltage Protection



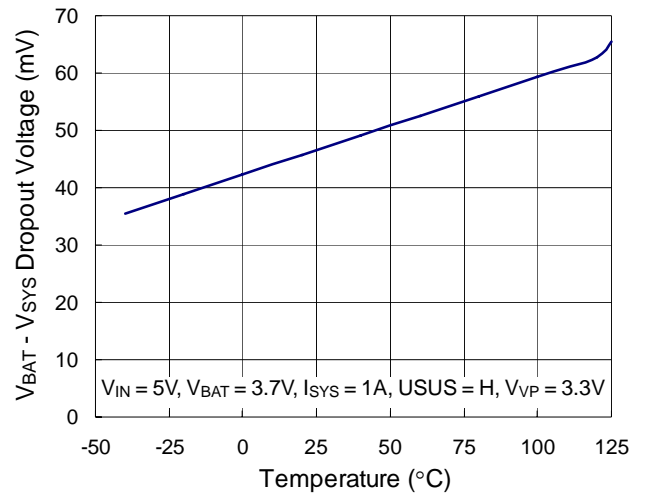
OVP Threshold Voltage vs. Temperature



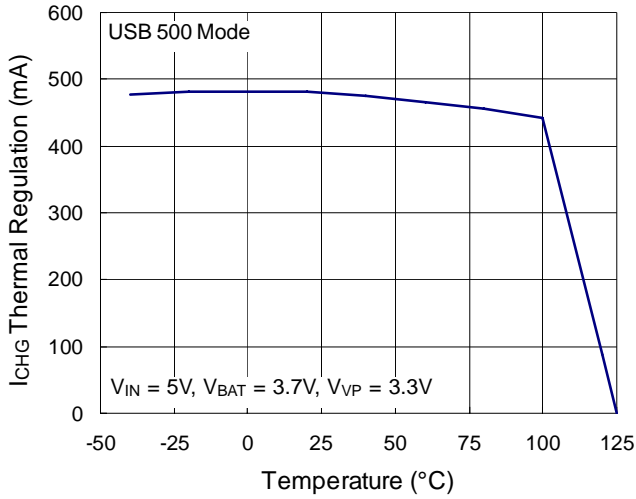
V_{IN} - V_{sys} Dropout Voltage vs. Temperature



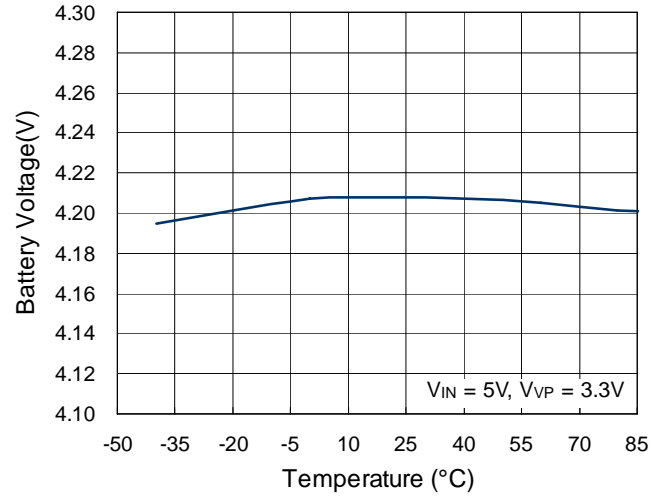
V_{BAT} - V_{sys} Dropout Voltage vs. Temperature



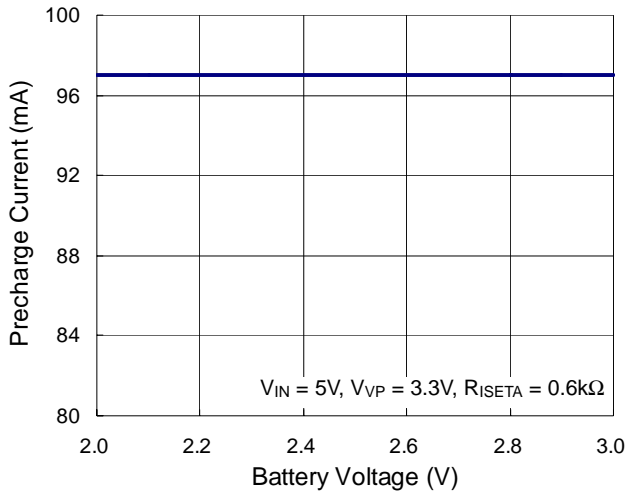
I_{CHG} Thermal Regulation vs. Temperature



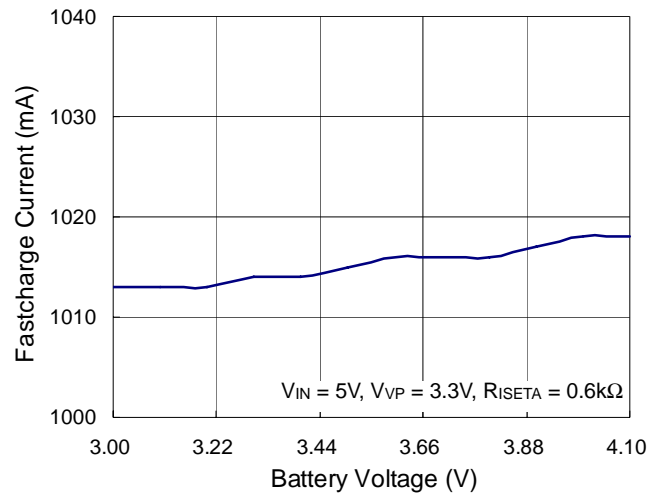
Battery Regulation Voltage vs. Temperature



Precharge Current vs. Battery Voltage



Fastcharge Current vs. Battery Voltage



RT9519A



Applications Information

The RT9519A is a fully integrated single-cell Li-ion battery charger ideal for portable applications. The internal thermal feedback circuitry regulates the die temperature to optimize the charge rate for all ambient temperatures. Other features include under voltage protection and over voltage protection.

Pre-charge Mode

When the output voltage is lower than 2.8V, the charging current will be reduced to a fast-charge current ratio set by R_{ISETA} to protect the battery life time.

Fast-charge Mode

When the output voltage is higher than 3V, the charging current will be equal to the fast-charge current set by R_{ISETA} .

Constant Voltage Mode

When the output voltage is near 4.2V, and the charging current fall below the termination current, after a deglitch time check of 25ms, the charger will become disabled and \overline{CHG} will go from L to H.

Re-charge Mode

When the chip is in charge termination mode, the charging current will gradually go down to zero. However, once the voltage of the battery drops to below 4.1V, there will be a deglitch time of 100ms and then the charging current will resume again.

Charging Current Decision

The charge current can be set according to the following equations :

If $I_{SET} = H$ (for I_{CHG1})

$$I_{CHG_FAST} = \frac{V_{ISETA}}{R_{ISETA}} \times 300$$

If $I_{SET} = L$ (for I_{CHG2})

$$I_{CHG_FAST} = \frac{V_{ISETA}}{R_{ISETA}} \times 150$$

$$I_{CHG_PRE} = 10\% \times I_{CHG_FAST}$$

Time Fault

During the fast charge phase, several events may increase the charging time.

For example the system load current may have activated the APPM loop which reduces the available charging current. the device has entered thermal regulation because the IC junction temperature has exceeded T_{REG} .

During each of these events, if $3V < V_{BAT} < 4.1V$, the internal charging time is slowed down proportionately to the reduction in charging current. However, once the duration exceed the fault time, the \overline{CHG} output will flash at approximately 2Hz to indicate a fault condition and the charge current will be reduced to about 1mA.

$$t_{FCHG_true} = t_{FCHG} \times \frac{2V}{V_{ISETA}}$$

t_{FCHG_true} : modified timer in fast

t_{FCHG} : original timer in fast charger

$$t_{FCHG} = 14400 \text{ sec} \times \left(\frac{C_{TIMER}}{1\mu F} \right)$$

$$t_{PCHG} = \frac{t_{FCHG}}{8}$$

t_{PCHG} : timer in pre-charge

Time fault release methods :

- (1) Re-plug power
- (2) Toggle \overline{EN}
- (3) Enter/exit suspend mode
- (4) Remove Battery
- (5) OVP

Note that the fast charge fault time is independent of the charge current.

Power Good

VIN Power Good ($\overline{PGOOD} = L$)

Input State	\overline{PGOOD} Output
$V_{IN} < V_{UVLO}$	High Impedance
$V_{UVLO} < V_{IN} < V_{BAT} + V_{OS_H}$	High Impedance
$V_{BAT} + V_{OS_H} < V_{IN} < V_{OVP}$	Low Impedance
$V_{IN} > V_{OVP}$	High Impedance

Charge State Indicator

Charge State	CHG Output
Charging	Low (for first charge cycle)
Charging Suspended by Thermal Loop	
Safety Timers Expired	2Hz Flash
Charging Done	High Impedance
Recharging after Termination	
IC Disabled or no Valid Input Power	

Battery Pack Temperature Monitoring

The battery pack temperature monitoring function can be realized by connecting the TS pin to an external Negative Temperature Coefficient (NTC) thermistor to prevent over temperature condition. Charging is suspended when the voltage at the TS pin is out of normal operating range. The internal timer is then paused, but the value is maintained. When the TS pin voltage returns back to normal operating range, charging will resume and the safe charge timer will continue to count down from the point where it was suspended. Note that although charging is suspended due to the battery pack temperature fault, the CHG pin will continue to remain low and indicate charging.

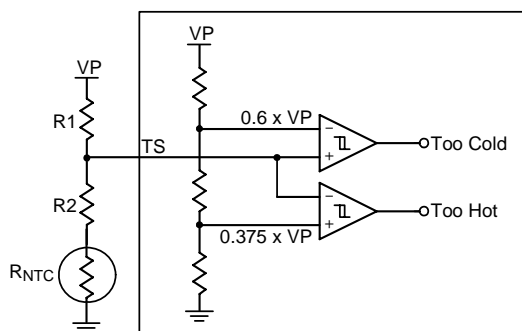


Figure 1

Too Cold Temperature

$$R_{COLD} = R_{NTC}$$

Too Hot Temperature

$$R_{HOT} = R_{NTC}$$

$$\frac{R2 + R_{COLD}}{R_{COLD} + R1 + R2} = 0.6 \tag{1}$$

$$\frac{R2 + R_{HOT}}{R_{HOT} + R1 + R2} = 0.375 \tag{2}$$

From (1), (2)

$$R1 = \frac{R_{COLD} - R_{HOT}}{0.9}$$

$$R2 = 0.6 \times R1 - R_{HOT}$$

If $R2 < 0$

$$\frac{R_{COLD}}{R_{COLD} + R1} = 0.6 \tag{3}$$

From (3)

$$R1 = \frac{R_{COLD}}{0.6} - R_{COLD}$$

Charge Enable

When \overline{EN} is low, the charger turns on. When \overline{EN} is high, the charger turns off. \overline{EN} is pulled low for initial condition.

VIN input Current Limit

\overline{ISETL}	\overline{ISETU}	VIN Input Current Limit
H	L	95mA
H	H	475mA
L	X	1.5A

Suspend Mode

Set $USUS = H$, and the charge will enter Suspend Mode. In the Suspend Mode, CHG is in high impedance and $I_{USUS(MAX)} < 300\mu A$.

Power Switch

For the RT9519A, there are three power scenarios:

(1) When a battery and an external power supply (USB or adapter) are connected simultaneously :

If the system load requirements exceed that of the input current limit, the battery will be used to supplement the current to the load. However, if the system load requirements are less than that of the input current limit, the excess power from the external power supply will be used to charge the battery.

(2) When only the battery is connected to the system :

The battery provides the power to the system.

(3) When only an external power supply is connected to the system :

RT9519A



The external power supply provides the power to the system.

Input DPM Mode

For the RT9519A, the input voltage is monitored when the USB100 or USB500 is selected. If the input voltage is lower than V_{DPM} , the input current limit will be reduced to stop the input voltage from dropping any further. This can prevent the IC from damaging improperly configured or inadequately designed USB sources.

APPM Mode

Once the sum of the charging and system load currents becomes higher than the maximum input current limit, the SYS pin voltage will be reduced. When the SYS pin voltage is reduced to the V_{APPM} , the RT9519A will automatically operate in APPM mode. In this mode, the charging current is reduced while the SYS current is increased to maintain system output. In APPM mode, the battery termination function is disabled.

Battery Supplement Mode Short Circuit Protect

In APPM mode, the SYS voltage will continue to drop if the charge current is zero and the system load increases beyond the input current limit. When the SYS voltage decreases below the battery voltage, the battery will kick in to supplement the system load until the SYS voltage rises above the battery voltage.

While in supplement mode, there is no battery supplement current regulation. However, a built in short circuit protection feature is available to prevent any abnormal current situations. While the battery is supplementing the load, if the difference between the battery and SYS voltage becomes more than the short circuit threshold voltage, SYS will be disabled. After a short circuit recovery time, t_{SHORT_R} , the counter will be restarted. In supplement mode, the battery termination function is disabled. Note that for the battery supply mode exit condition, $V_{BAT} - V_{SYS} < 0V$.

Thermal Regulation and Thermal Shutdown

The RT9519A provides a thermal regulation loop function to monitor the device temperature. If the die temperature rises above the regulation temperature, T_{REG} , the charge current will automatically be reduced to lower the die temperature. However, in certain circumstances (such as high V_{IN} , heavy system load, etc.) even with the thermal loop in place, the die temperature may still continue to increase. In this case, if the temperature rises above the thermal shutdown threshold, T_{SD} , the internal switch between V_{IN} and SYS will be turned off. The switch between the battery and SYS will remain on, however, to allow continuous battery power to the load. Once the die temperature decreases by ΔT_{SD} , the internal switch between V_{IN} and SYS will be turned on again and the device returns to normal thermal regulation.

Charging Profile

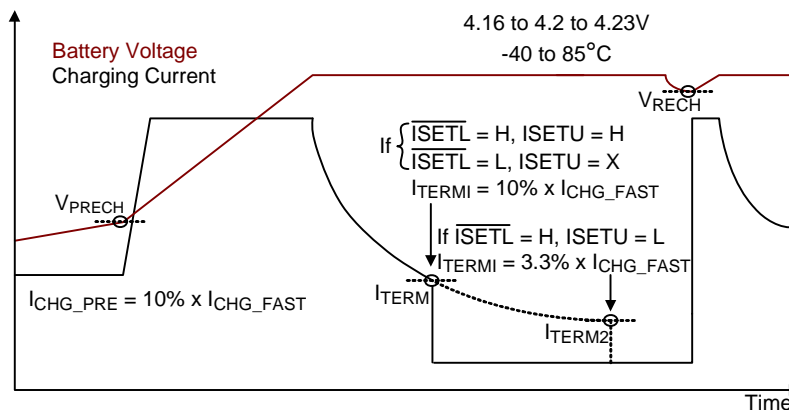


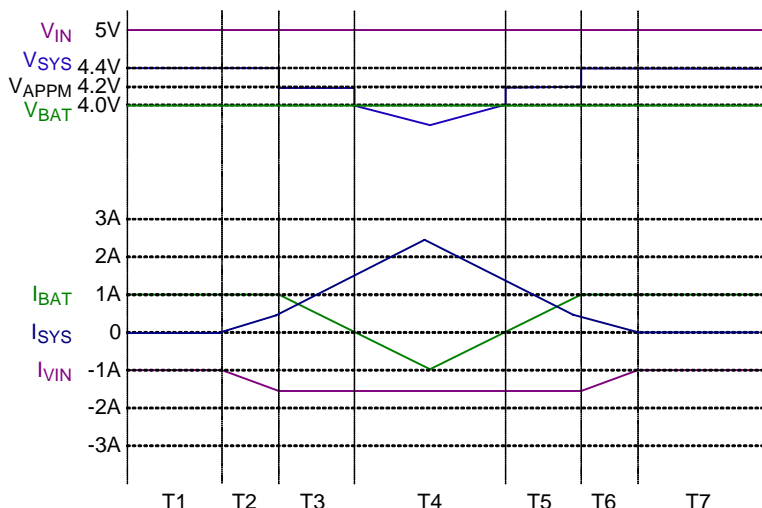
Figure 2

RICHTEK

RT9519A

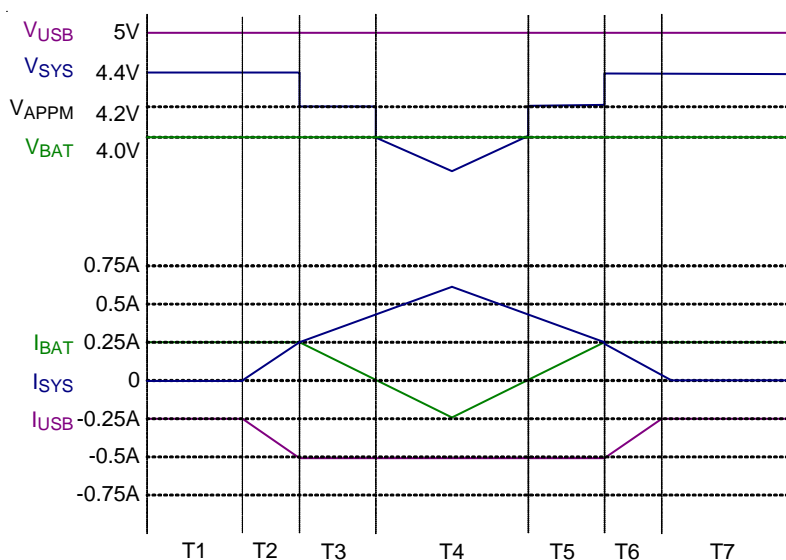
APPM Profile

1.5A Mode :



	I _{sys}	V _{sys}	I _{vin}	I _{bat}
T1, T7	0	SYS Regulation Voltage	CHG_MAX	CHG_MAX
T2, T6	< I _{vin_oc} - CHG_MAX	SYS Regulation Voltage	I _{sys} + CHG_MAX	CHG_MAX
T3, T5	> I _{vin_oc} - CHG_MAX < I _{vin_ocs}	Auto Charge Voltage Threshold	V _{in_oc}	V _{in_oc} - I _{sys}
T4	> I _{vin_oc}	V _{bat} - I _{bat} × R _{DS(ON)}	V _{in_oc}	I _{sys} - I _{vin_oc}

USB 500mA Mode :

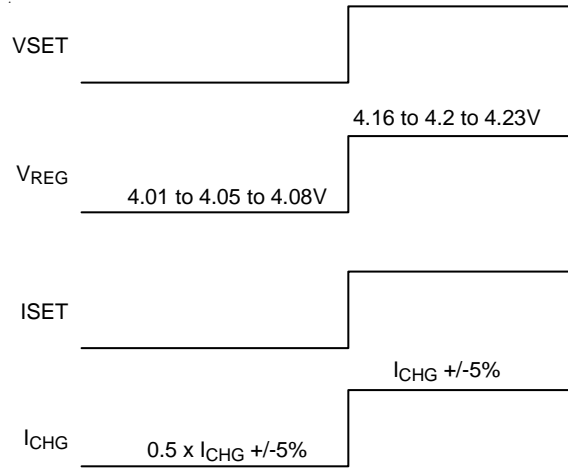


	I _{sys}	V _{sys}	I _{usb}	I _{bat}
T1, T7	0	SYS Regulation Voltage	CHG_MAX	CHG_MAX
T2, T6	< I _{vin_oc (USB)} - CHG_MAX	SYS Regulation Voltage	I _{sys} + CHG_MAX	CHG_MAX
T3, T5	> I _{vin_oc (USB)} - CHG_MAX < I _{vin_oc (USB)}	Auto Charge Voltage Threshold	I _{vin_oc (USB)}	I _{vin_oc (USB)} - I _{sys}
T4	> I _{vin_oc (USB)}	V _{bat} - I _{bat} × R _{DS(ON)}	I _{vin_oc (USB)}	I _{sys} - I _{vin_oc (USB)}

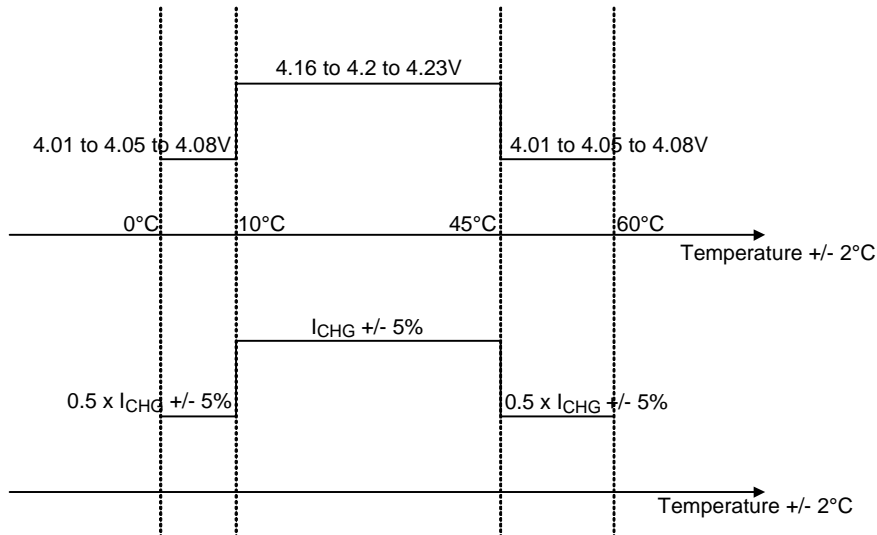
RT9519A



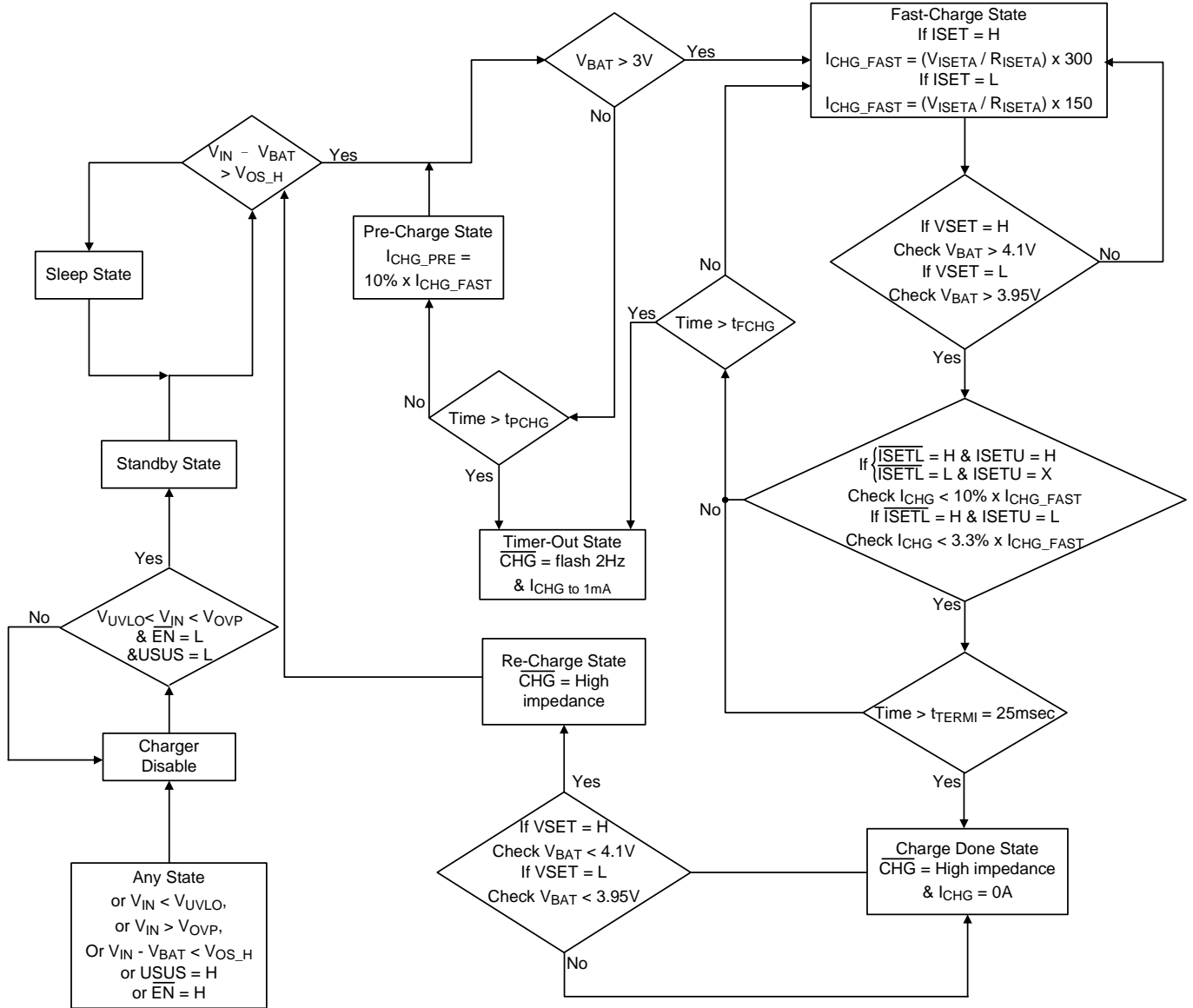
VSET vs V_{REG} , ISET vs I_{CHG}



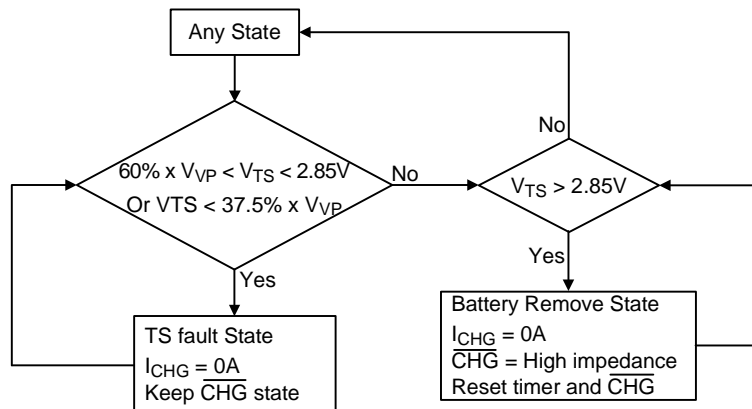
For JEITA Battery Temperature Standard :
 CV regulation voltage will change at the following battery Temp ranges
 0°C to 10°C and 45°C to 60°C
 CC regulation current will change at the following battery Temp ranges
 0°C to 10°C and 45°C to 60°C



RT9519A Operation State Diagram for Charging



Operation State Diagram for TS PIN



RT9519A



Thermal Considerations

For continuous operation, do not exceed absolute maximum junction temperature. The maximum power dissipation depends on the thermal resistance of the IC package, PCB layout, rate of surrounding airflow, and difference between junction and ambient temperature. The maximum power dissipation can be calculated by the following formula :

$$P_{D(MAX)} = (T_{J(MAX)} - T_A) / \theta_{JA}$$

where $T_{J(MAX)}$ is the maximum junction temperature, T_A is the ambient temperature, and θ_{JA} is the junction to ambient thermal resistance.

For recommended operating condition specifications of the RT9519A, the maximum junction temperature is 125°C and T_A is the ambient temperature. The junction to ambient thermal resistance, θ_{JA} , is layout dependent. For WQFN-20L 3x3 packages, the thermal resistance, θ_{JA} , is 68°C/W on a standard JEDEC 51-7 four-layer thermal test board. The maximum power dissipation at $T_A = 25^\circ\text{C}$ can be calculated by the following formula :

$$P_{D(MAX)} = (125^\circ\text{C} - 25^\circ\text{C}) / (68^\circ\text{C}/\text{W}) = 1.471\text{W for WQFN-20L 3x3 package}$$

The maximum power dissipation depends on the operating ambient temperature for fixed $T_{J(MAX)}$ and thermal resistance, θ_{JA} . For the RT9519A package, the derating curve in Figure 3 allows the designer to see the effect of rising ambient temperature on the maximum power dissipation.

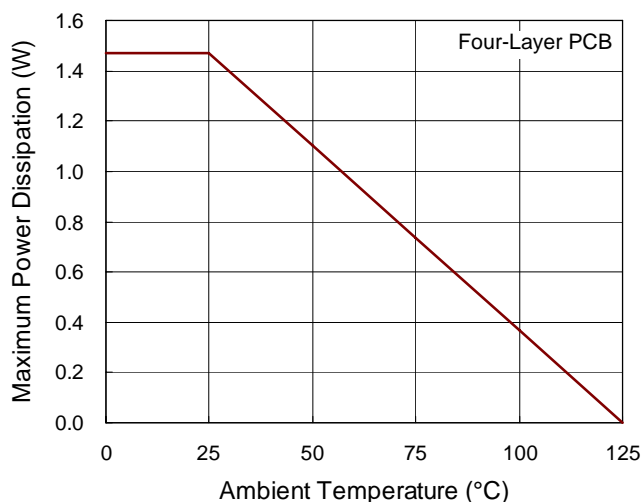
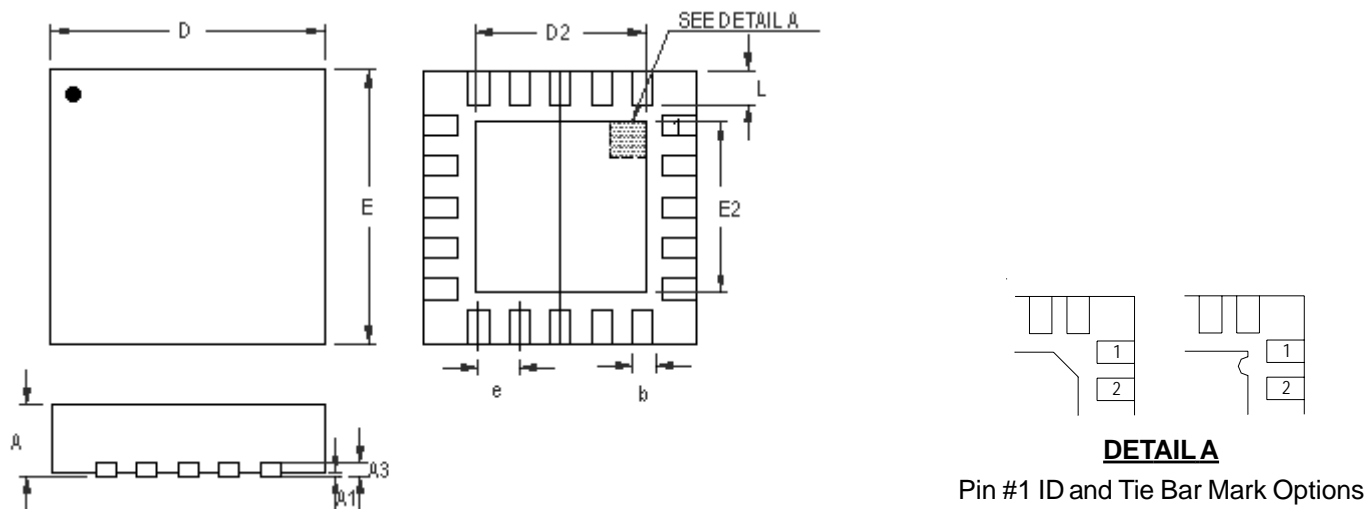


Figure 3. Derating Curves for RT9519A Package

RICHTEK

RT9519A

Outline Dimension



Note : The configuration of the Pin #1 identifier is optional, but must be located within the zone indicated.

Symbol	Dimensions In Millimeters		Dimensions In Inches	
	Min	Max	Min	Max
A	0.700	0.800	0.028	0.031
A1	0.000	0.050	0.000	0.002
A3	0.175	0.250	0.007	0.010
b	0.150	0.250	0.006	0.010
D	2.900	3.100	0.114	0.122
D2	1.650	1.750	0.065	0.069
E	2.900	3.100	0.114	0.122
E2	1.650	1.750	0.065	0.069
e	0.400		0.016	
L	0.350	0.450	0.014	0.018

W-Type 20L QFN 3x3 Package

Richtek Technology Corporation

Headquarter
 5F, No. 20, Taiyuen Street, Chupei City
 Hsinchu, Taiwan, R.O.C.
 Tel: (8863)5526789 Fax: (8863)5526611

Richtek Technology Corporation

Taipei Office (Marketing)
 5F, No. 95, Minchiuan Road, Hsintien City
 Taipei County, Taiwan, R.O.C.
 Tel: (8862)86672399 Fax: (8862)86672377
 Email: marketing@richtek.com

Information that is provided by Richtek Technology Corporation is believed to be accurate and reliable. Richtek reserves the right to make any change in circuit design, specification or other related things if necessary without notice at any time. No third party intellectual property infringement of the applications should be guaranteed by users when integrating Richtek products into any application. No legal responsibility for any said applications is assumed by Richtek.