

Excellent Integrated System Limited

Stocking Distributor

Click to view price, real time Inventory, Delivery & Lifecycle Information:

[Maxwell Technologies Inc.](#)
[BMOD0058 E016 B02](#)

For any questions, you can email us directly:
sales@integrated-circuit.com



USER MANUAL

Maxwell Technologies® Ultracapacitor Energy Storage Modules

Models:

- BMOD0058 E016 B02
- BMOD0006 E160 B02

Document 3000200.1

Notice: The products described herein are covered by one or more of the following patents:
6643119, 7295423, 7307830, 7342770, 7352558, 7384433, 7440258, 7492571, 7508651,
7791860, 7791861, 7859826, 7883553, 7935155, 8072734, 8279580



Distributor of Maxwell Technologies Inc.: Excellent Integrated System Limited

Datasheet of BMOD0058 E016 B02 - CAP 58F 16V CHASSIS MOUNT

Contact us: sales@integrated-circuit.com Website: www.integrated-circuit.com

1. Introduction

The BMOD0058 E016 B02 (16 V) and BMOD0006 E160 B02 (160 V) energy storage modules are self-contained energy storage devices comprised of either six or sixty individual ultracapacitor cells, respectively. The modules include passively balanced ultracapacitor cells that are wave soldered to a printed circuit board. Units may be connected in series to obtain higher operating voltages, parallel to provide additional energy storage, or a combination of series/parallel arrangements for higher voltages and energy. To provide long life, passive balancing is used to provide an equal voltage bias to individual cells.

The module packaging is a rigid plastic enclosure. The enclosure is water resistant (per IEC 529 – IP54). BMOD0006 modules have a voltage center tap for monitoring purposes.

2. Unpacking and Handling

2.1 Unpacking

Inspect the shipping carton for signs of damage prior to unpacking the module. Damage to the shipping carton or module should be reported to the carrier immediately. Remove the module from the shipping carton and retain the shipping materials until the unit has been inspected and is determined to be operational.

NOTE: The original shipping materials are approved for both air and ground shipment.

The original shipping container should contain the following:

- Energy Storage Module(s) (10x for BMOD0058, 3x for BMOD0006)
 - If a Maxwell business partner has repackaged the unit(s) for shipment the quantity may be different.
- 1 x Product Information Sheet

If the unit is found to be defective or any parts are missing, contact your supplier. A Return Material Authorization (RMA) number must be issued prior to returning the unit for repair or replacement.

2.2 Handling

Maxwell ultracapacitor modules are designed to provide years of trouble-free operation. Proper handling is required to avoid damage to the module. In particular, the following handling precautions should be observed:

- Do not stack modules once they have been removed from the shipping containers.
- Do not drop modules. Internal damage may occur that will not be visible from the exterior.
- Do not step on modules.

3. Installation

3.1 Mechanical

Modules have 6 (BMOD0058) or 12 (BMOD0006) clearance holes for mounting screw locations. The modules can be mounted in any orientation.

General mechanical and mounting information is shown in Figures 1 and 2. Please see the datasheet for additional dimensional information.

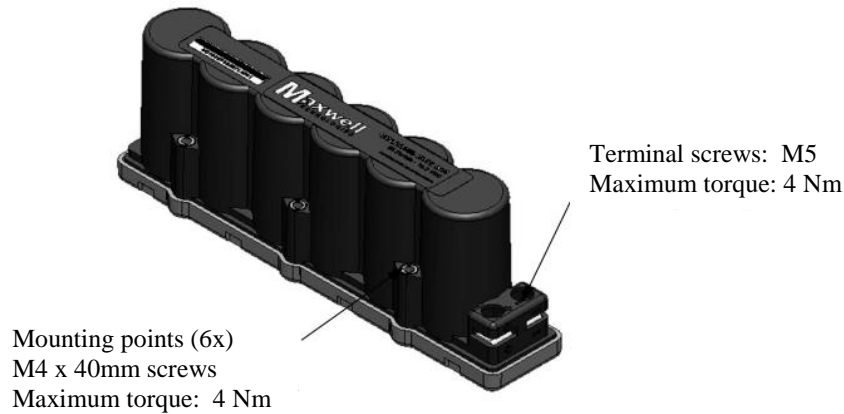


Figure 1: BMOD0058 Mechanical Configuration

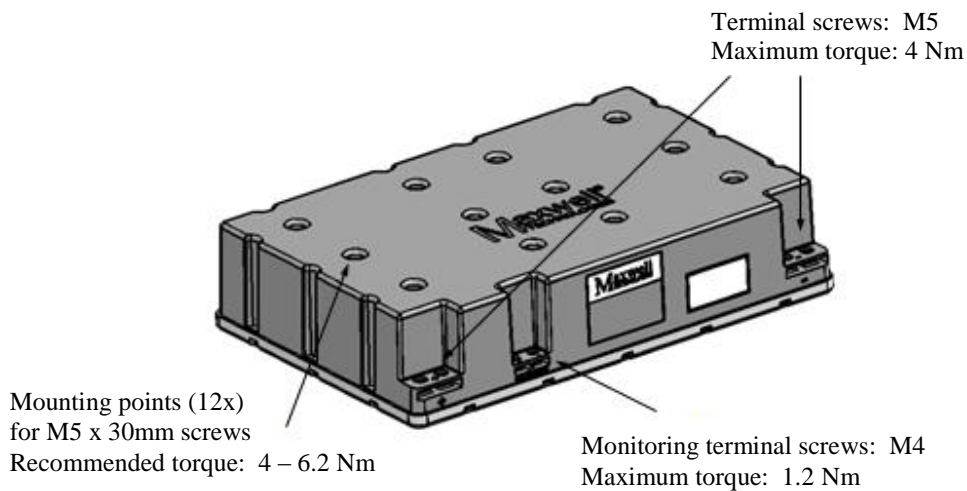


Figure 2: BMOD0006 Mechanical Configuration

For best results the modules should not be mounted in locations where they are directly exposed to the environment. The modules are built to IP-54 standards. In particular, areas of direct splash should always be avoided. In systems that operate at voltages in excess of 60 V, appropriate

protection and sealing should be used on module terminals to avoid shock hazards and corrosion. Note that the terminals are fully exposed to the environment.

Dimensional spacing of the mounting holes for the modules is shown in Figures 3 and 4. It is recommended to leave at least 1 cm of spacing between modules along the vertical axis.

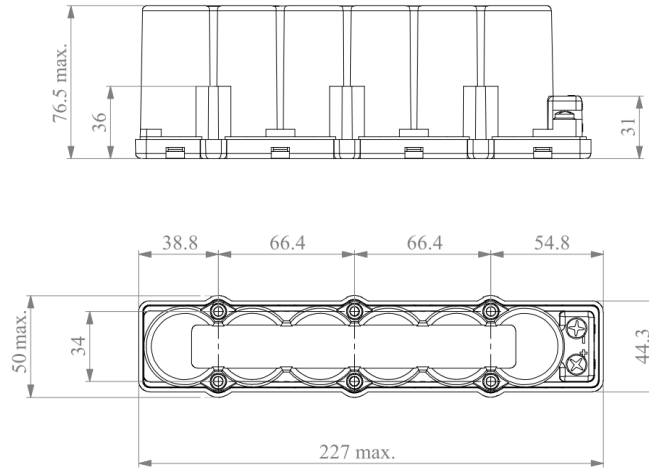


Figure 3: BMOD0058 Mounting Hole Locations

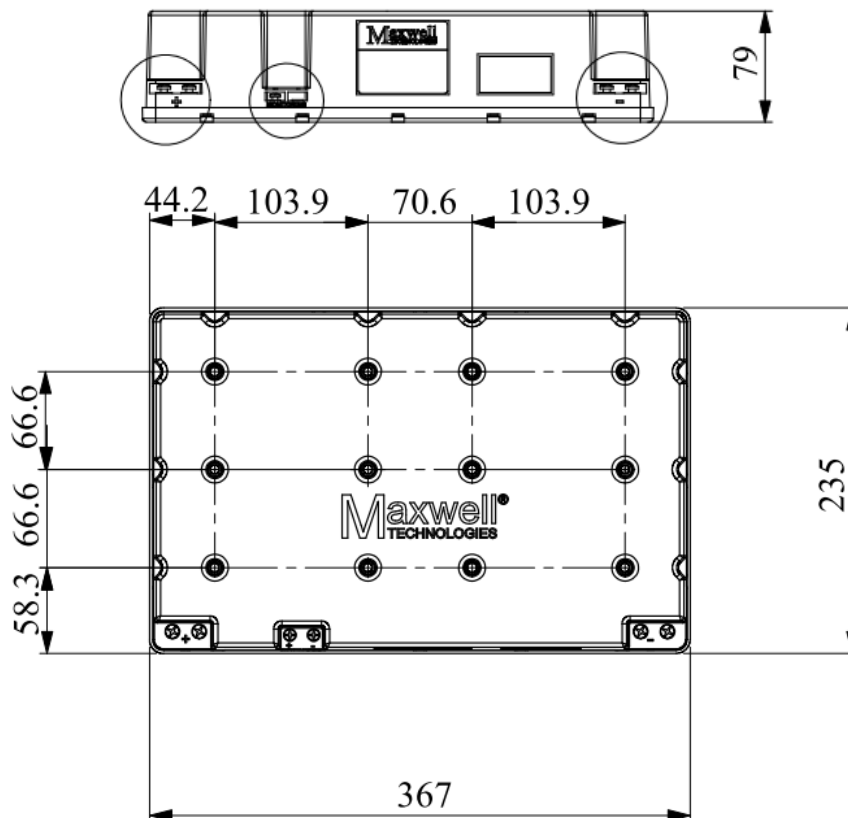




Figure 4: BMOD0006 Mounting Hole Locations

A proper installation should not exert any bending or twisting torque to the module enclosure. Ensure that the module’s mounting points are co-planar within ± 1 mm. If the actual mounting location is out-of-plane, use spacers to bring all four mounting locations within plane to within ± 1 mm.

Both the BMOD0058 and BMOD0006 modules have been qualified to IEC60068-2-6 for vibration performance. Ensure that this is adequate for the end-use environment. To ensure meeting specified vibration performance, all mounting points should be used. If more severe vibration performance is required, consider the use of isolators to provide damping. Contact Maxwell Application Engineering for assistance in these cases.

3.2 Electrical

WARNING
 CAUTION
<p>To avoid arcing, the energy storage module should be in a discharged state and the system power disconnected during installation. The module is shipped discharged and with a shorting wire. The shorting wire should be removed prior to installation of electrical connections.</p>

WARNING
 CAUTION
<p>To provide the lowest possible ESR the energy storage modules are not fused. Care should be taken within the application to prevent excessive current flow. Excessive current and/or duty cycle will result in overheating the module and cause irreparable damage. Please consult the specific data sheet for each module for current and duty cycle capabilities.</p>

The power output terminals of the modules consist of M5 screw terminals intended to mate with spade or ring terminals. Ensure that interconnect wire is of sufficient gauge to carry the system current. The modules may be connected in series for higher voltages. As mentioned earlier, the maximum torque is 4 Nm.

The BMOD0006 modules have a center-tap terminal that can be used to compare the voltage of the upper half of the ultracapacitor array with that of the lower half as a diagnostic for imbalance. This mid-point voltage is accessible through the M4 monitoring terminals as illustrated in Figure 2. **The current drawn from the center tap should not exceed 10 μ A.** Drawing currents in

excess of this amount can create imbalance within the module. The maximum torque for this M4 terminal is 3.5 Nm.

The energy storage modules have low Equivalent Series Resistance (ESR). As a result, the resistance of the wires connecting the energy storage module to the application can easily exceed the ESR of the module. Connection of modules in series or parallel should utilize the same gauge wire as determined for final output connections. When connecting in series connect the positive output terminal of one module to the negative output terminal of the next module. Two possible series orientations are illustrated in Figure 5. Possible parallel orientations are shown in Figure 6.

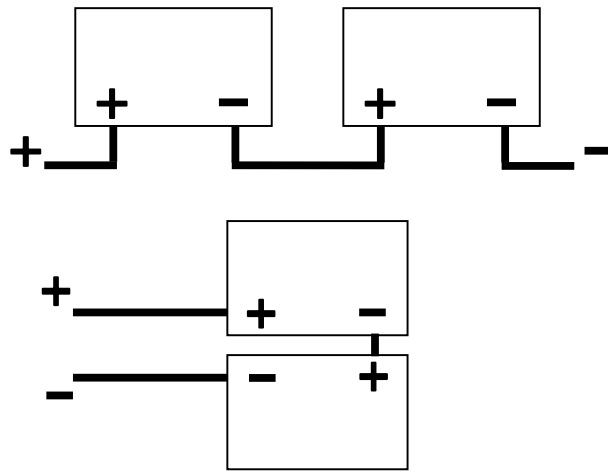


Figure 5: Possible Series Connection Arrangements

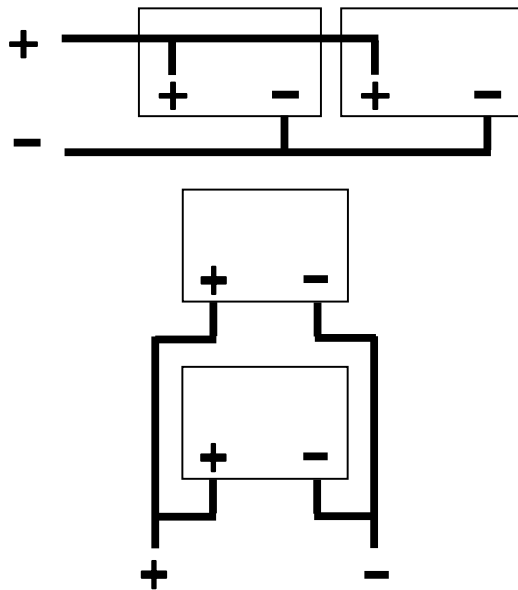


Figure 6: Possible Parallel Connection Arrangements

For both the BMOD0058 and BMOD0006 modules, the maximum allowable operating voltage for a series string is 750VDC. Full UL810a compliance is satisfied for up to forty (40) BMOD0058 modules in series, corresponding to a system voltage of 640V. The BMOD0006 is not UL810a listed.

When several modules are connected in series for operating at higher system voltages, care must be taken to ensure proper creepage and clearance distances in compliance with appropriate national and local safety standards for electrical equipment.

3.3 Thermal Performance

It should be noted that these modules are not intended for high cycling applications. Should there be an interest in higher cycling applications, please consult Maxwell Technologies Applications Engineering.

The thermal resistance, R_{CA} , of the units has been experimentally determined assuming free convection at ambient temperature ($\sim 25^{\circ}\text{C}$). The R_{CA} value provided on the datasheet is useful for determining the operating limits for the units. Using the R_{CA} value a module temperature rise can be determined based upon any current and duty cycle. The temperature rise can be expressed by the following equation.

$$\Delta T = I^2 R_{ESR} R_{CA} d_f$$

where:

I = RMS current (amps)

R_{ESR} = equivalent series resistance, R_{DC} (ohms)

R_{CA} = thermal resistance ($^{\circ}\text{C}/\text{W}$)


d_f = duty cycle fraction

The ΔT value calculated above plus ambient temperature should remain below the specified maximum operating temperature for the module (see datasheet).


4. Operation

The module should only be operated within specified voltage and temperature ratings. Determine whether current limiting is necessary based on the current ratings of attached components. Observe polarity indicated on module. Do not reverse polarity.

5. Safety

WARNING

<p>DANGER – HIGH VOLTAGE HAZARD!</p> <p>Never touch the power terminals as the module can be charged and cause fatal electrical shocks. Always check that the module is fully discharged before manipulating the module. Please refer to the step by step instructions below for the manual discharge procedure.</p>

- Do not operate unit above the specified voltage.
- Do not operate unit above the specified temperature rating.
- Do not touch terminals with conductors while charged. Serious burns, shock, or arcing may occur.
- Protect surrounding electrical components from incidental contact.
- Provide sufficient electrical isolation when working above 50 VDC.
- Prior to installation on or removal from the system, it is mandatory to fully discharge the module to guarantee the safety of personnel.

WARNING

<p>A fully discharged module may “bounce back” if it is stored without a shorting wire connected to the + and – terminals. This bounce back can be as much as 2V for the BMOD0058 and 20V with the BMOD0006. When used in series strings this has the potential to cause dangerous electrical shocks.</p>

6.1 Discharge Procedure

Proceed as follows to discharge the module:

1. Using a voltmeter, measure the voltage between the 2 terminals.
2. If the voltage is above 2V, a resistor pack (not supplied with the module) will need to be connected between the terminals. Proper care needs to be taken in the design and construction of such a dissipative pack. The resistor pack will need to be sized and provided with suitable cooling to handle the resulting power dissipation. Additionally,

proper isolation and packaging are necessary to ensure safety.

3. If the voltage is under 2V, connect a shorting wire to the + and – connectors.
4. The module is now safe for handling. However, leave the shorting wire connected **at all times** until the module is installed in the system and the power cables are connected.

6. Maintenance

Prior to removal from the system, cable removal, or any other handling ensure that the energy storage module is completely discharged in a safe manner. The stored energy and the voltage levels may be lethal if mishandling occurs. Maintenance should only be conducted by trained personnel on discharged modules (see above).

7.1 Routine Maintenance

7.1.1 Clean exterior surface of dirt/grime

7.1.1.1 Reason - Improve power dissipation performance.

7.1.1.2 Use a cleaning cloth dampened with a water/soap solution. Do not use high-pressure sprays or immersion. Keep excess amounts of water away from all surfaces.

7.1.1.3 Frequency - Annually

7.1.2 Check mounting fasteners for proper torque

7.1.2.1 Reason - Avoid mechanical damage

7.1.2.2 Frequency

7.1.2.2.1 High Vibration Environments (6 months)

7.1.2.2.2 Low Vibration Environments (12 months)

7.1.3 Inspect housing for signs of damage

7.1.3.1 Reason – allows potential internal damage to be identified

7.1.3.2 Frequency - Annually

7.1.4 Check electrical connections for proper torque

7.1.4.1 Reason – avoid false signals, shock hazards, and high-resistance connections

7.1.4.2 Frequency

7.1.4.2.1 High Vibration Environments (6 months)

7.1.4.2.2 Low Vibration Environments (12 months)

7. Storage

The discharged module can be stored in the original package in a dry place. Discharge a used module prior to storage or shipment. A shorting wire across the terminals is strongly recommended to maintain a short circuit after having discharged the module.

8. Disposal

Do not dispose of module in trash. Dispose of according to local regulations.

9. Specifications

Refer to datasheets at our website, www.maxwell.com, for product specifications.

Maxwell[®] TECHNOLOGIES



Maxwell Technologies, Inc.
Global Headquarters
3888 Calle Fortunada
San Diego, CA 92123
USA
Phone: +1 858 503 3300
Fax: +1 858 503 3301



Maxwell Technologies SA
Route de Montena 65
CH-1728 Rossens
Switzerland
Phone: +41 (0)26 411 85 00
Fax: +41 (0)26 411 85 05



Maxwell Technologies GmbH
Leopoldstrasse 244
80807 Munchen
Germany
Phone: +49 (0)89/ 20 80 39 653
Fax: +49 (0)89/ 20 80 30 651

www.maxwell.com



Maxwell Technologies, Inc.
Shanghai Representative Office
Unit A2BC, 12th Floor
Huarun Times Square
500 Zhangyang Road, Pudong
Shanghai 200122,
P.R. China
Phone: +86 21 3852 4000
Fax: +86 21 3852 4099



Maxwell Technologies, Ltd
Suites 3 & 4, First Floor
Millennium House
Gapton Hall Road
Great Yarmouth
Norfolk
NR31 0NL
Phone: +44 (0) 1493 202013
Fax: +44 (0) 1493 603981