

Excellent Integrated System Limited

Stocking Distributor

Click to view price, real time Inventory, Delivery & Lifecycle Information:

[TE Connectivity Raychem Circuit Protection
RHE750](#)

For any questions, you can email us directly:

sales@integrated-circuit.com

Tyco/Electronics

Raychem Circuit Protection
308 Constitution Drive
Menlo Park, CA 94025-1164
800-227-4856
FAX 800-227-4866

PolySwitch®
PTC Devices
Overcurrent Protection Device

PRODUCT: RHE750

DOCUMENT: SCD 24261
PCN: 446913
REV LETTER: F
REV DATE: OCTOBER 8, 2001
PAGE NO.: 1 OF 1

Specification Status: RELEASED

Electrical Rating

Voltage: 16V MAX
Current: 100A MAX

INSULATING MATERIAL:
Cured, Flame Retarded Epoxy Polymer

LEAD MATERIAL:
20 AWG Tin/Lead Plated Copper

PART MARKING:

- Raychem Logo and Voltage
- X 16
- H7.5 Part Identification
- Lot Identification (can be on back)

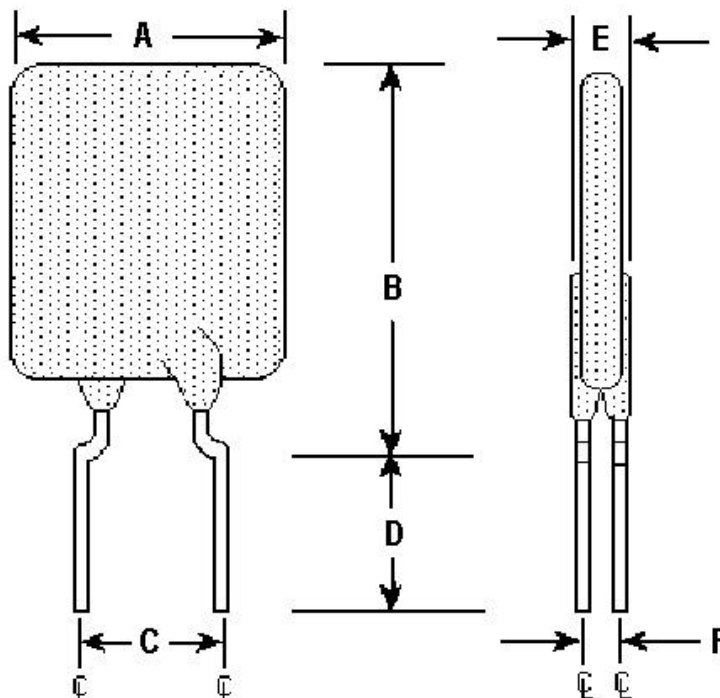


TABLE I. DIMENSIONS:

	A		B		C		D		E		F
	MIN	MAX	MIN	MAX	MIN	MAX	MIN	MAX	MIN	MAX	TYP
mm:	--	14.0	--	23.5	4.3	5.8	7.6	--	--	3.0	1.2
in*:	--	(0.55)	--	(0.93)	(0.17)	(0.23)	(0.30)	--	--	(0.12)	(0.05)

*Rounded off approximation

TABLE II. PERFORMANCE RATINGS:

I HOLD	CURRENT RATINGS						TIME TO TRIP	RESISTANCE		TRIPPED-STATE POWER DISSIPATION
	AMPS AT 0°C		AMPS AT 25°C		AMPS AT 60°C		SECONDS AT 25°C, 37.5A MAX	OHMS AT 25°C		WATTS AT 25°C TYP
	HOLD	TRIP	HOLD	TRIP	HOLD	TRIP		MIN	MAX	
7.5	--	--	7.5	13.1	--	--	7.0	0.0094	0.022	4.5

Recognitions: UL, TUV, CSA recognized.
 Reference Documents: PS300
 Precedence: This specification takes precedence over documents referenced herein.
 Effectivity: Reference documents shall be the issue in effect on the date of invitation for bid.
 CAUTION: Operation beyond the rated voltage or current may result in rupture, electrical arcing or flame.