



Excellent Integrated System Limited

Stocking Distributor

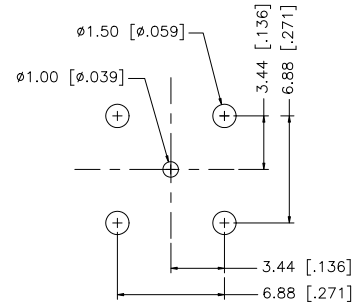
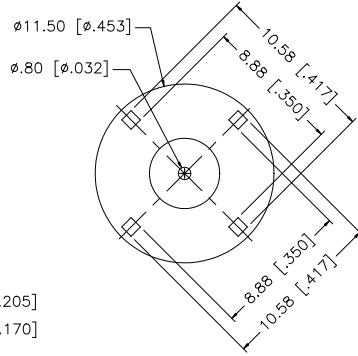
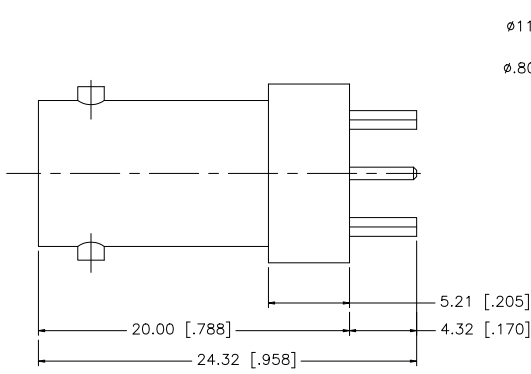
Click to view price, real time Inventory, Delivery & Lifecycle Information:

[Amphenol RF](#)
[112515-75](#)

For any questions, you can email us directly:

sales@integrated-circuit.com

REV.	DATE	ECR NO.	DESCRIPTION
NC	03/20/03	-	INITIAL RELEASE
A	01/21/09	100076	REVISE BODY PLATING TO NICKEL
B	02/05/09	-	ADD NOTE 1.



PCB MOUNTING HOLES

NOTES:

- VSWR 1.15 MAX @ 3GHz.

				APPROVALS	DATE	Amphenol Connex						
8				DRAWN	GRS	02/05/09	BNC P.C. MOUNT RECEPTACLE JACK (75 ohm)					
7			CHECKED									
6			ISSUED									
5			SHEET	1 OF 1								
4				CAD FILE		C:/112/112515-75.DWG	PART NO. 112515-75					
3	CONTACT PIN	PHOS. BRONZE	GOLD	1			DWG. NO. 112515-75.DWG					
2	INSULATOR	PTFE	NATURAL	1			REV.	B	SIZE	A	SCALE	NA
1	BODY	BRASS	NICKEL	1								
DESCRIPTION				MATERIAL	FINISH	QTY						

UNLESS OTHERWISE SPECIFIED DIMENSIONS ARE IN MILLIMETERS. DIMENSIONS IN [] ARE IN INCHES AND FOR CUSTOMER REFERENCE ONLY.

UNLESS OTHERWISE SPECIFIED TOLERANCES FOR MILLIMETERS ARE:
 0.5 - 8mm ± 0.20mm
 8 - 30mm ± 0.40mm
 30 - 120mm ± 0.50mm

UNLESS OTHERWISE SPECIFIED TOLERANCES FOR INCHES ARE:
 .020 - .315 = ± 0.007"
 .315 - 1.180 = ± 0.015"
 1.180 - 4.724 = ± 0.020"

DO NOT SCALE DRAWING